

Collection

SOHO WOOD

Article

OL396

Description

Four holes deck mounted bath filler with shower kit.

Box Dimensions

400x250x140 mm

Weight

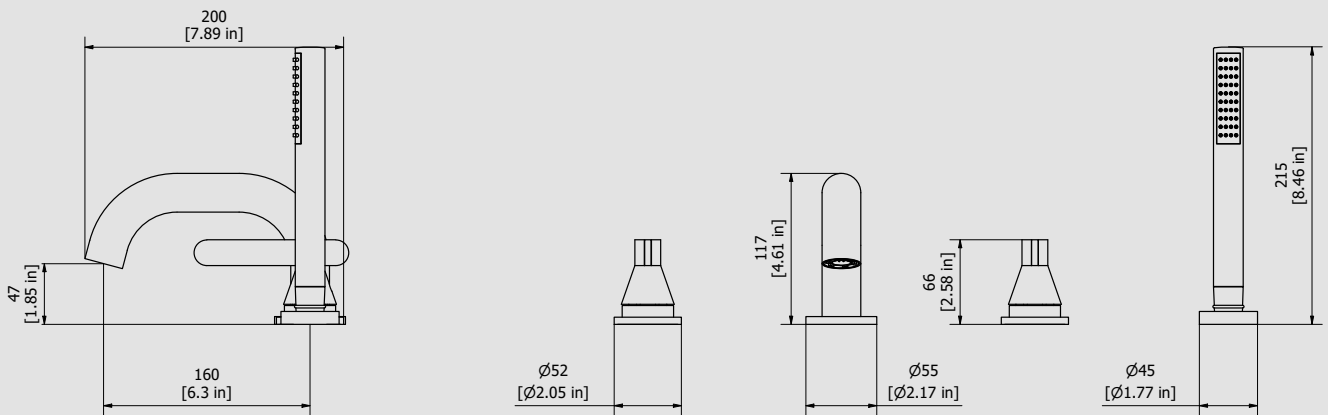
4.0 kg

Finishes

- CC**
CHROME
- PL**
PLATINUM
- SS**
BRUSHED
NICKEL
- ON**
NATURAL
BRASS
- BO**
MATT
WHITE
- NP**
MATT
BLACK
- CF**
BLACK
CHROME
- CS**
BRUSHED
BLACK
CHROME
- II**
PALE
GOLD
- IS**
BRUSHED
PALE GOLD
- RS**
ROSE
GOLD
- SR**
BRUSHED
ROSE GOLD
- OO**
GOLD
- OS**
BRUSHED
GOLD
- RR**
ANTIQUÉ
COPPER
- MB**
MODERN
BRONZE



Dimensions



Cartridge

Ø35 ceramic cartridge

Treaded fitting

Inox hoses G1/2" F G1/2" F L300

Aerator

M24x1

Flow Rate (+/-10%)

1 BAR	2 BAR	3 BAR
9.3 l/m	13.2 l/m	16.2 l/m

Production

Main body is a machined from a solid pieces

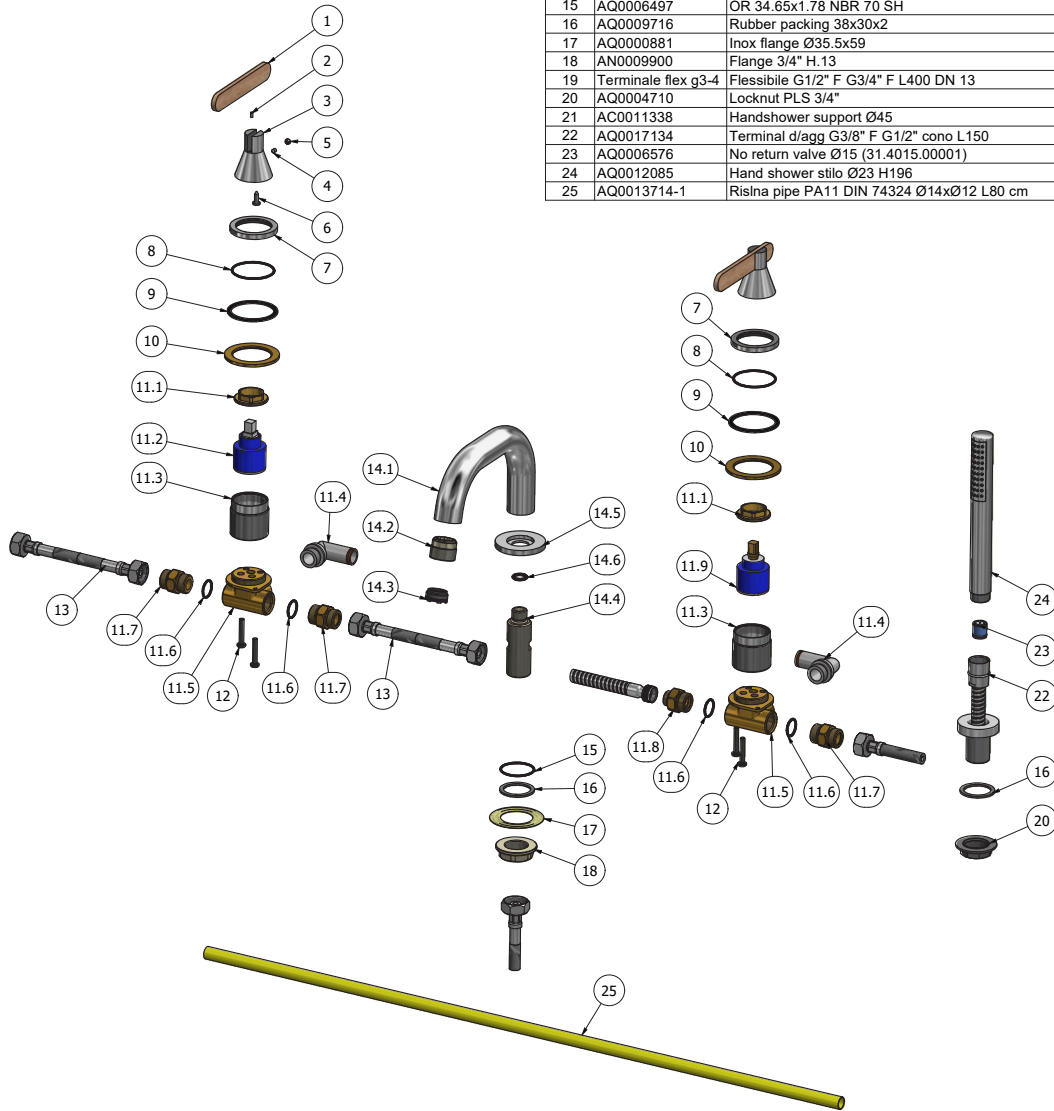
Material

BRASS
According to CuZn39PB3 (CW614N)
Max Lead content: 2.5%



WE ARE IB

Parts list				
ITEMS	CODE	DESCRIPTION	FIN	QTÀ
1	AQ0018162	Handle 20 L120 H5	-	2
2	AQ0012230	Stainless stell pin Ø2.5x6	-	2
3	AC0018161	Handle Ø41 Ø20 H50	F	2
4	AQ0010444	Grubscrew M4x6 cone point	-	2
5	AQ0012203	Plug	F	2
6	AQ0018180	Self-tapping screw Ø4 L12 DIN 7505-B	-	2
7	AC0011660	Fixing ring Ø52 H5.5 M42x1.5	F	2
8	AQ0010584	OR 44.17x1.78 NBR 70 SH	-	2
9	AQ0011028	Flat gasket Ø55 Ø47 H2	-	2
10	AS0011661	Support ring Ø60 Ø42.2 H3	G	2
11	CPRX396CC-1	Preassembled 3 hole bath side	F	1
11.1	AQ0001040	Cartridge ring nut M37x1.5 H9	G	2
11.2	AQ0013271	Ceramic cartridge KRJ 35A 9x9	-	1
11.3	AQ0011662	Ring M42x1.5 M37x1.5 Ø40 H40.7	F	2
11.4	AQ0013713	Connection piece L G1/2" Ø14 (2031019)	-	2
11.5	AQT010369	Recessed shower mixer body Ø35 DZR	G	2
11.6	AQ0004630	OR 17.16x1.78 NBR 70 SH	-	4
11.7	AS0010301	Reduction G1/2" M G1/2" M with valve seat	G	3
11.8	AS0011227	Connection piece G1/2" M G3/8" M with valve seat	G	1
11.9	AQ0013143	Ceramic cartridge Ø35 9x9 (KDZ HTG)	-	1
12	AQ0009153	Inox screw M5x30 ISO 7045	-	4
13	AQ0006540	Flex inox G1/2" F G1/2" F L300	-	2
14	CP10958CC-2	Preassembled bath deck spout	-	1
14.1	AC0010958	Spout-out Ø30 L160	F	1
14.2	AN0010792	Seat for perlator M28x1 M24x1	N	1
14.3	AQ0010587	Perlator cahcè M24x1 antispash (40.9300.010)	-	1
14.4	AN0010971	Threaded fixing stem G3/4" G3/8" H76 with seat valve	N	1
14.5	AC0018175	Base Ø55 H6 polished	F	1
14.6	AQ0001360	OR 11.91x2.62 NBR 70 SH	-	1
15	AQ0006497	OR 34.65x1.78 NBR 70 SH	-	1
16	AQ0009716	Rubber packing 38x30x2	-	2
17	AQ0000881	Inox flange Ø35.5x59	-	1
18	AN0009900	Flange 3/4" H.13	N	1
19	Terminale flex g3-4	Flessibile G1/2" F G3/4" F L400 DN 13	-	1
20	AQ0004710	Locknut PLS 3/4"	-	1
21	AC0011338	Handshower support Ø45	F	1
22	AQ0017134	Terminal d'agg G3/8" F G1/2" cono L150	F	1
23	AQ0006576	No return valve Ø15 (31.4015.00001)	-	1
24	AQ0012085	Hand shower stilo Ø23 H196	F	1
25	AQ0013714-1	Risina pipe PA11 DIN 74324 Ø14xØ12 L80 cm	-	1





WE ARE IB

WARRANTY

All IB Rubinetterie SpA products are warranted for 10 years from the date of purchase, for the following cases:

- Defects of casting, porosity and chrome plating.
- Operating defects caused by incorrect fabrication.

The warranty provides for repair or replacement of products with fabrication defects recognized by our technical office. There is no other type of compensation anche the merchandise must be returned FOB our warehouse. The warranty only cover surface defects (scartches, dings, etc.) on fitting that have not been installed and used, returned in its original packaging with all components. O-ring, gasket seals and components subject to wear proportional to use are warranted for 2 years.

The warranty is void in the following cases:

Error installing and putting the product into service.

Deterioration of finished surfaces due to use of cleaning products containing acids or abrasive substances.

Deterioration of surface with finishes other than chrome plating. Their durability is, in fact, dependent on the user's care and gentleness of use.

Deterioration of the fitting due incorrect installation.

Improper repairs and maintenance performed without the company's prior authorization.

The warranty from IB Rubinetterie SpA is not renewable.

Cleaning

We recommended cleaning the finish surfaces with water and soap, using a soft cloth.

Do not use detergents that cointain hydrochloric acid or abrasive substances.