



WE ARE IB

Collection

SOHO WOOD

Article

OL398

Description

Two ways wall shower mixer with spout.

Built-in body to be purchased separately INC313

Box Dimensions

470x290x160 mm

Weight

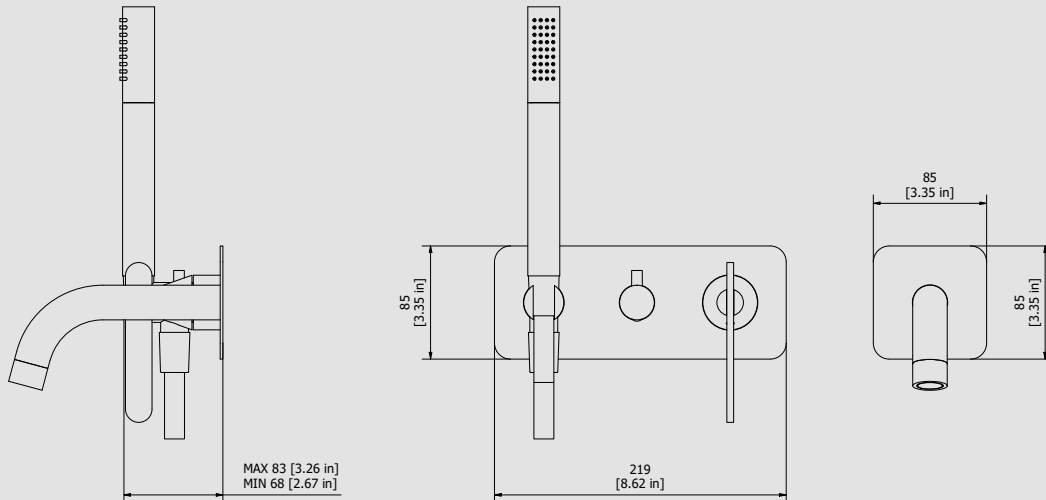
5 kg

Finishes

- CC**
CHROME
- PL**
PLATINUM
- SS**
BRUSHED
NICKEL
- ON**
NATURAL
BRASS
- BO**
MATT
WHITE
- NP**
MATT
BLACK
- CF**
BLACK
CHROME
- CS**
BRUSHED
BLACK
CHROME
- II**
PALE
GOLD
- IS**
BRUSHED
PALE GOLD
- RS**
ROSE
GOLD
- SR**
BRUSHED
ROSE GOLD
- OO**
GOLD
- OS**
BRUSHED
GOLD
- RR**
ANTIQUÉ
COPPER
- MB**
MODERN
BRONZE



Dimensions



Cartridge

Ø35 ceramic cartridge

Hoses

G1/2" male

Aerator

M24x1

Flow Rate (+/-10%)

**1 BAR
10 l\m**

**2 BAR
14 l\m**

**3 BAR
17.2 l\m**

Production

Main body is a machined from a solid pieces

Material

**BRASS
According to CuZn39PB3 (CW614N)
Max Lead content: 2.5%**

IB RUBINETTERIE s.p.a
via dei Pianotti 3/5
25068 Sarezzo (BS) - Italy -

T. +39 030 802101
F. +39 030 803097
info@weareib.it

P.IVA 01785230986
capitale sociale
€420.000,00 i.v.

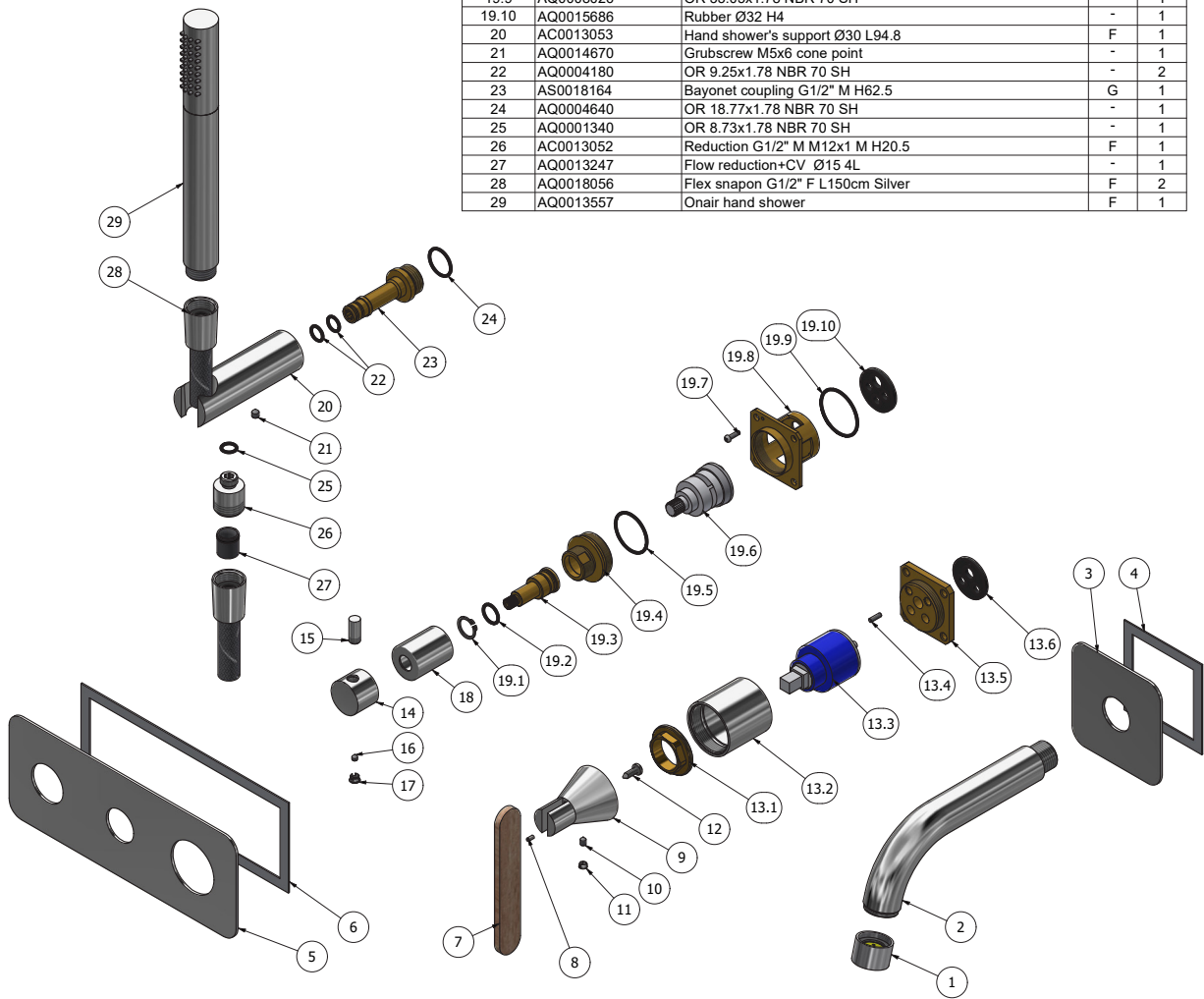
www.weareib.it





WE ARE IB

Parts list				
ITEMS	CODE	DESCRIPTION	FIN	QTÀ
1	AQ0015036	Aerator Ø26 H17 M24x1 flow sraightener (40.9100.33301)	F	1
2	AC0012558	Spout-out Ø26 L145	F	1
3	AC0017933	Plate 85x85x2 Ø26.5	F	1
4	AQ0015829	Rubber packing double-sided tape 75x75x8x1	-	1
5	AQ0014139	Plate 219x85x2	F	1
6	AQ0014142	Rubber packing double-sided tape 200x75x8x1	-	1
7	AQ0018162	Handle 20 L120 H5	F	1
8	AQ0012230	Stainless stell pin Ø2.5x6	-	1
9	AC0018161	Handle Ø41 Ø20 H50	F	1
10	AQ0010444	Grubscrew M4x6 cone point	-	1
11	AQ0012203	Plug	F	1
12	AQ0018180	Self-tapping screw Ø4 L12 DIN 7505-B	-	1
13	CPRX300CCXN19	Mixer 47x47 x recessed	-	1
13.1	AQ0001040	Cartridge ring nut M37x1.5 H9	G	1
13.2	AC0010445	Recessed ring Ø41 M37x1.5 H40.7	F	1
13.3	AQ0013271	Ceramic cartridge KRJ 35A 9x9	-	1
13.4	AQ0015357	Grubscrew M3x10 flat point	-	1
13.5	AS0013040	Insert 47x47 H11 M37x1.5	G	1
13.6	AQ0015684	Gasket Ø31 H3.5 Ø7 Ø7.5	-	1
14	AC0011372	Diverter's knob Ø26 H20	F	1
15	AC0007092	Handle knob M8 H19	F	1
16	AQ0001082	Grubscrew M4x4 cone point	-	1
17	AQ0006650	Plug cover Ø7	F	1
18	AC0013054	Ring Ø26 M22x1 F H33	F	1
19	CPDEV2VCCXN_1	90 ° built-in 2-way diverter 48x48 z8x20	-	1
19.1	AQ0015748	Seeger ring Ø14 H1	-	1
19.2	AQ0004610	OR 12.42x1.78 NBR 70 SH	-	1
19.3	AS0013048	Rod Ø17.9 H42.4	G	1
19.4	AS0013050	Junction M32x1 M22x1 H23	G	1
19.5	AQ0010597	OR 28.3x1.78 NBR 70 SH	-	1
19.6	AQ0017450	Cartridge dev.2 outputs 90°	-	1
19.7	AQ0012206	Inox screw M3x10	-	1
19.8	AS0013047	Insert 47x47x32	G	1
19.9	AQ0008026	OR 33.05x1.78 NBR 70 SH	-	1
19.10	AQ0015686	Rubber Ø32 H4	-	1
20	AC0013053	Hand shower's support Ø30 L94.8	F	1
21	AQ0014670	Grubscrew M5x6 cone point	-	1
22	AQ0004180	OR 9.25x1.78 NBR 70 SH	-	2
23	AS0018164	Bayonet coupling G1/2" M H62.5	G	1
24	AQ0004640	OR 18.77x1.78 NBR 70 SH	-	1
25	AQ0001340	OR 8.73x1.78 NBR 70 SH	-	1
26	AC0013052	Reduction G1/2" M M12x1 M H20.5	F	1
27	AQ0013247	Flow reduction+CV Ø15 4L	-	1
28	AQ0018056	Flex snapon G1/2" F L150cm Silver	F	2
29	AQ0013557	Onair hand shower	F	1





WE ARE IB

WARRANTY

All IB Rubinetterie SpA products are warranted for 10 years from the date of purchase, for the following cases:

- Defects of casting, porosity and chrome plating.
- Operating defects caused by incorrect fabrication.

The warranty provides for repair or replacement of products with fabrication defects recognized by our technical office. There is no other type of compensation anche the merchandise must be returned FOB our warehouse. The warranty only cover surface defects (scartches, dings, etc.) on fitting that have not been installed and used, returned in its original packaging with all components. O-ring, gasket seals and components subject to wear proportional to use are warranted for 2 years.

The warranty is void in the following cases:

Error installing and putting the product into service.

Deterioration of finisched surfaces due to use of cleaning products containing acids or abrasive substances.

Deterioration of surface with finishes other than chrome plating. Their durability is, in fact, dependent on the user's care and gentleness of use.

Deterioration of the fitting due incorrect installation.

Improper repairs and maintenance performed without the company's prior authorization.

The warranty from IB Rubinetterie SpA is not renewable.

Cleaning

We recommended cleaning the finish surfaces with water and soap, using a soft cloth.

Do not use detergents that cointain hydrochloric acid or abrasive substances.