



WE ARE IB

Collection

## ONLY ONE

Article

### 00399

Description

**Free-standing bath filler with shower kit.**

**Built-in body purchased separately INC399.**

Box Dimensions

1160x360x180 mm

Weight

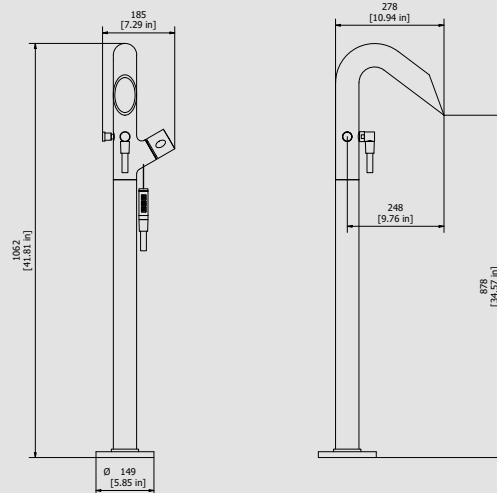
20.6 kg

Finishes

- CC**  
CHROME
- PL**  
PLATINUM
- SS**  
BRUSHED  
NICKEL
- ON**  
NATURAL  
BRASS
- BO**  
MATT  
WHITE
- NP**  
MATT  
BLACK
- CF**  
BLACK  
CHROME
- CS**  
BRUSHED  
BLACK  
CHROME
- II**  
PALE  
GOLD
- IS**  
BRUSHED  
PALE GOLD
- RS**  
ROSE  
GOLD
- SR**  
BRUSHED  
ROSE GOLD
- OO**  
GOLD
- OS**  
BRUSHED  
GOLD
- RR**  
ANTIQUÉ  
COPPER
- BB**  
ANTIQUÉ  
BRONZE



Dimensions



Cartridge

**Ø45 Ceramic cartridge**

Hoses

**Flex snapon G1/2" F L150cm**

Aerator

-

Flow Rate (+/-10%)

<b>1 BAR</b>	<b>2 BAR</b>	<b>3 BAR</b>
<b>19 l\m</b>	<b>28 l\m</b>	<b>34 l\m</b>

Production

**Main body is a single casted pieces.**

Material

**BRASS**  
According to CuZn35Pb2Al-B (CB752S)  
Max Lead content: 1.36%

IB RUBINETTERIE s.p.a  
via dei Pianotti 3/5  
25068 Sarezzo (BS) - Italy -

T. +39 030 802101  
F. +39 030 803097  
info@weareib.it

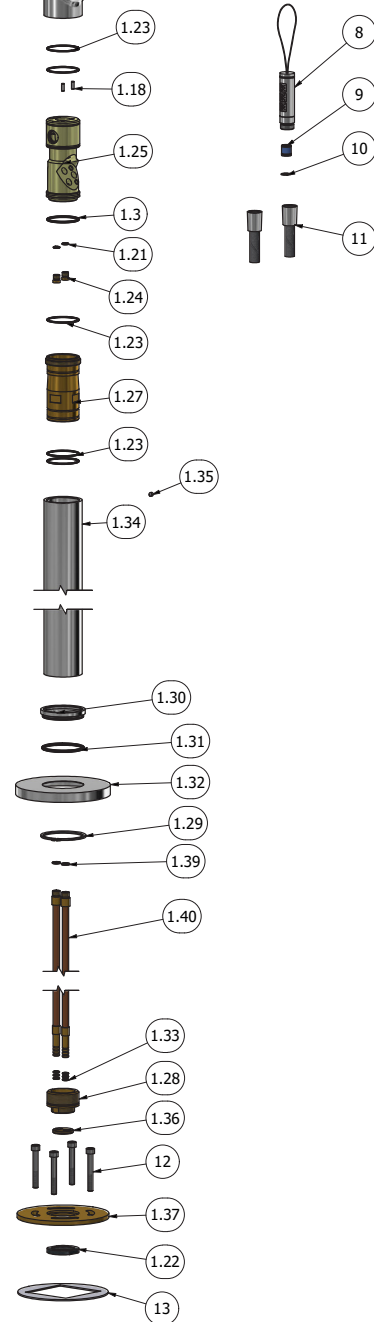
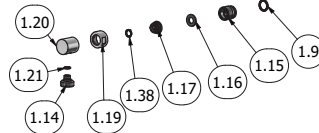
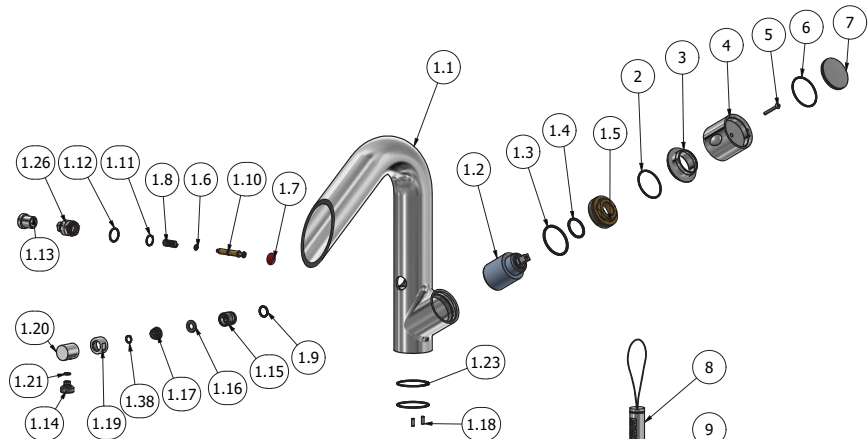
P.IVA 01785230986  
capitale sociale  
€420.000,00 i.v.

www.weareib.it





WE ARE IB



Parts list				
ITEMS	CODE	DESCRIPTION	FIN	QTA
1	CPOO399CC-21	Preassembled free-standing bath filler	F	1
1.1	CC0001917	Bath spout-out body to floor	F	1
1.2	AQ0010904	Ceramic cartridge Ø45 (212K 10x10.4)	-	1
1.3	AQ0010096	OR 45.7x2.62 NBR 70 SH	-	2
1.4	AQ0006585	OR 28.25x2.62 NBR 70 SH	-	1
1.5	AS0010393	Cartridge fixing nut M50x1.5 H20	G	1
1.6	AQ0001410	OR 4.2x1.9 NBR 70 SH	-	1
1.7	AQ0000340	Biconic packaging NBR 60SH 18 x 9,6	-	1
1.8	AQ0001300	Spring F 0,6 D.E. 9,8 Sp.	-	1
1.9	AQ0001390	OR 14x2 NBR 70 SH	-	1
1.10	AS0010775	Diverter's rod M5x0.8 L56.9	G	1
1.11	AQ0001380	OR 14x1.5 NBR 70 SH	-	1
1.12	AQ0004640	OR 18.77x1.78 NBR 70 SH	-	1
1.13	AC0010455	Diverter knob Ø23 x 18,5 H.22,6	F	1
1.14	AC0012348	Connection M10x1 G1/2" L17	F	1
1.15	AC0010692	Shower connection piece G1/2"	F	1
1.16	AQ0003080	Rubber G1/2"	-	1
1.17	AN0009332	Insert M15x1 H10	N	1
1.18	AQ0010988	Inox plug Ø4x12	-	2
1.19	AC0010193	Nut for shower's seat	F	1
1.20	AC0012349	L elbow Ø24 M15x1 M10x1 L26	F	1
1.21	AQ0001330	OR 6.75x1.78 NBR 70 SH	-	3
1.22	AS0013152	Nut Ø50 M36x1F H6 CH.46	G	1
1.23	AQ0001450	OR 47.37x1.78 NBR 70 SH	-	5
1.24	AS0010770	Plug M10x1 H12	G	2
1.25	AN0010914	Insert for bath body to floor Ø52.4 H128	N	1
1.26	AC0010776	Diverter's body	F	1
1.27	AN0010690	Connection piece for fixing Ø51.5 H100	N	1
1.28	AS0016992	Insert Ø50 M36x1 M M50x1.5 M H33	G	1
1.29	AQ0011023	Seeger ring A65 DIN471	-	1
1.30	AC0010907	Ring for carter Ø70 H12	F	1
1.31	AQ0010874	OR 59.92x3.53 NBR 70 SH	-	1
1.32	AQ0010873	Chromed cover Ø146,6 H.15	F	1
1.33	AQ0012025	OR 6.35x1.78 NBR 70 SH	-	6
1.34	AC0015997	Pipe Ø60 M50x1.5 L706	F	1
1.35	AQ0009549	Grubscrew M6x6 cone point	-	1
1.36	AS0016997	Pipe guide M32x1 H5	G	1
1.37	AS0015991	Flange Ø144 Ø36.2 H6.5	G	1
1.38	AQ0010077	OR 9x1.5 NBR 70 SH	-	1
1.39	AQ0004180	OR 9.25x1.78 NBR 70 SH	-	2
1.40	AS0012394	Pipe M12x1 L774	-	2
2	AQ0010584	OR 44.17x1.78 NBR 70 SH	-	1
3	AC0010688	Cartridge fixing nut chromed cover Ø58 H21.3	F	1
4	AC0010687	Handle Ø58 H50	F	1
5	AQ0009809	Inox screw M4x30	-	1
6	AQ0001450	OR 47.37x1.78 NBR 70 SH	-	1
7	AC0010573	Plug for handle Ø51,8 H5,8	F	1
8	CP11852-2	Hanging shower c. valve seat	F	1
9	AQ0006576	No return valve Ø15 (31.4015.00001)	-	1
10	AQ0009678	Elastic ring AISI 302	-	1
11	AQ0018056	Flex snapon G1/2" F L.150cm Silver	F	1
12	AQ0016200	Inox screw TCEI M8x60 DIN912	-	4
13	AQ0015889	Rubber packing double-sided Ø142 H2	-	1



WE ARE IB

### **WARRANTY**

All IB Rubinetterie SpA products are warranted for 10 years from the date of purchase, for the following cases:

- Defects of casting, porosity and chrome plating.
- Operating defects caused by incorrect fabrication.

The warranty provides for repair or replacement of products with fabrication defects recognized by our technical office. There is no other type of compensation anche the merchandise must be returned FOB our warehouse. The warranty only cover surface defects (scartches, dings, etc.) on fitting that have not been installed and used, returned in its original packaging with all components. O-ring, gasket seals and components subject to wear proportional to use are warranted for 2 years.

#### **The warranty is void in the following cases:**

Error installing and putting the product into service.

Deterioration of finisched surfaces due to use of cleaning products containing acids or abrasive substances.

Deterioration of surface with finishes other than chrome plating. Their durability is, in fact, dependent on the user's care and gentleness of use.

Deterioration of the fitting due incorrect installation.

Improper repairs and maintenance performed without the company's prior authorization.

The warranty from IB Rubinetterie SpA is not renewable.

#### **Cleaning**

We recommended cleaning the finish surfaces with water and soap, using a soft cloth.

Do not use detergents that cointain hydrochloric acid or abrasive substances.