



WE ARE IB

Collection

PURO

Article

PU383

Description

Kitchen mixer.

Box Dimensions

675x320x80 mm

Weight

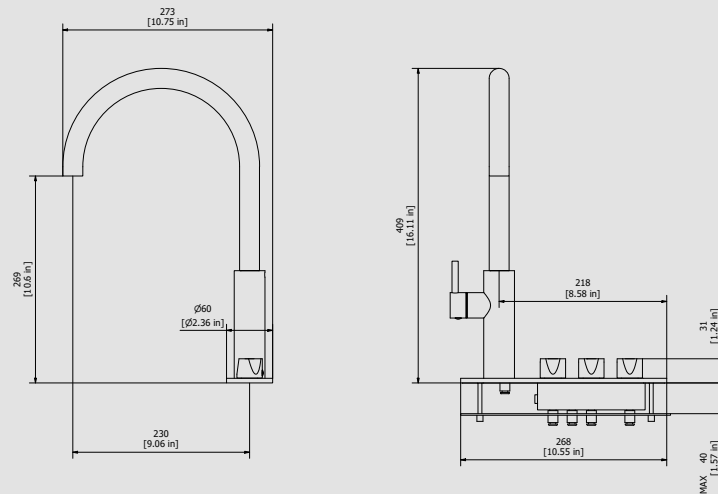
5.5 kg

Finishes

- CC** CHROME
- PL** PLATINUM
- SS** BRUSHED NICKEL
- ON** NATURAL BRASS
- BO** MATT WHITE
- NP** MATT BLACK
- CF** BLACK CHROME
- CS** BRUSHED BLACK CHROME
- II** PALE GOLD
- IS** BRUSHED PALE GOLD
- RS** ROSE GOLD
- SR** BRUSHED ROSE GOLD
- OO** GOLD
- OS** BRUSHED GOLD
- RR** ANTIQUE COPPER
- BB** ANTIQUE BRONZE



Dimensions



Cartridge

G3/8" ceramic headwork

Hoses

Flex M8x1 G1/2" F L600mms

Aerator

M24x1

Flow Rate (+/-10%)

1 BAR	2 BAR	3 BAR
5.6 l\m	5.6 l\m	5.6 l\m

Production

Main body is a machined from a solid pieces.

Material

BRASS
According to CuZn42 (CW510L)
Max Lead content: 0.2%

IB RUBINETTERIE s.p.a
via dei Pianotti 3/5
25068 Sarezzo (BS) - Italy -

T. +39 030 802101
F. +39 030 803097
info@weareib.it

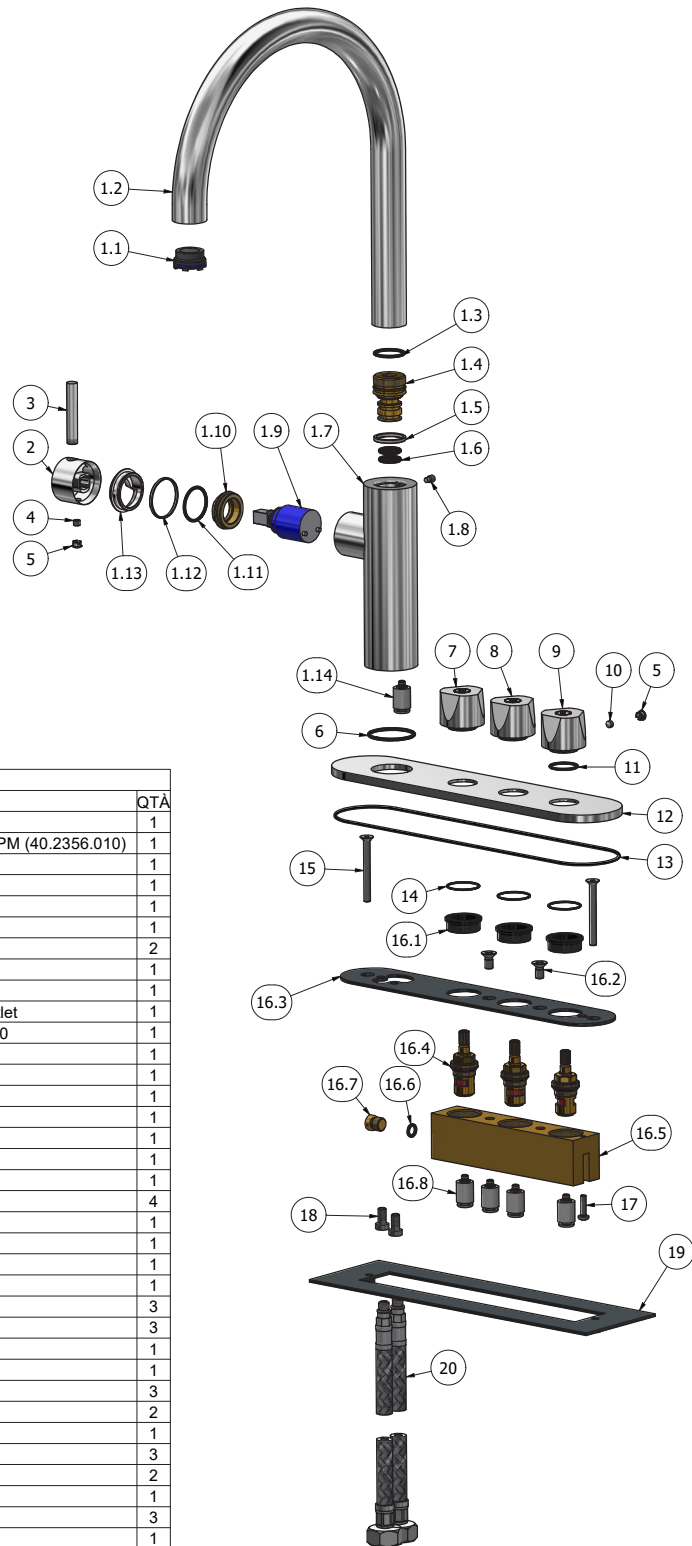
P.IVA 01785230986
capitale sociale
€420.000,00 i.v.

www.weareib.it





WE ARE IB



Parts list

ITEMS	CODE	DESCRIPTION	QTA
1	CP17297CC-1	Preassembled monohole	1
1.1	AQ0017304	Perlator cahcè laminar M24x1 1.5 GPM (40.2356.010)	1
1.2	AC0017291	Spout Ø26 H263.5 L257	1
1.3	AQ0001400	OR 20.35x1.78 NBR 70 SH	1
1.4	AS0017288	Insert for spout Ø24.5 M24x1 L34	1
1.5	AS0017302	Antifriction ring Ø24 Ø20.3 H2.5	1
1.6	AQ0001360	OR 11.91x2.62 NBR 70 SH	2
1.7	AC0017297	Welded body Ø40 H140	1
1.8	AQ0007178	Grubscrew M5x8 half dog point	1
1.9	AQ0012218	Ceramic cartridge Ø25 9x9 down uolet	1
1.10	AS0017290	Cartridge fixing nut M27x1 Ø28.5 H10	1
1.11	AQ0009815	OR 23.52x1.78 NBR 70 SH	1
1.12	AQ0015158	Antifriction ring Ø30.8 Ø29 H2.2	1
1.13	AC0017289	Cover Ø33 H15.5 Ø28.7	1
1.14	AQ0017305	Straight fitting M5 Ø6 (2F01050)	1
2	AC0017292	Handle Ø33 H20.5	1
3	AC0014230	Rod Ø8 H47 M8x1.25	1
4	AQ0009541	Grubscrew M5x4 flat point	1
5	AQ0006650	Plug cover Ø7	4
6	AQ0009838	OR 32x2 NBR 70 SH	1
7	AC0017631-C	Handle Ø33 H28.5 Z40 H3 cold	1
8	AC0017631-F	Handle Ø33 H28.5 Z40 H3 sparkling	1
9	AC0017631-N	Handle Ø33 H28.5 Z40 H3 natural	1
10	AQ0009729	Grubscrew M5x5 cone point	3
11	AQ0013866	OR 19x1.5 NBR 70 SH	3
12	AC0017293	Plate 268x60x6	1
13	AQ0013134-588	OR string Ø2 L588	1
14	AQ0010184	OR 23x1 NBR 70 SH	3
15	AQ0010346	Inox screw M5x50 DIN 7991	2
16	CP17298XX-1	Preassembled headwork's body	1
16.1	AS0017294	Support Ø27.5 M25x1 H9.5	3
16.2	AQ0010574	Inox screw M6x12	2
16.3	AS0017300	Plate 266x49x2	1
16.4	AQ0010515	Ceramic headwork G3/8" DX	3
16.5	AS0017298	Headwork's body 30x35x140 G3/8"	1
16.6	AQ0001330	OR 6.75x1.78 NBR 70 SH	1
16.7	AS0010770	Plug M10x1 H12	1
16.8	AQ0017305	Straight fitting M5 Ø6 (2F01050)	4
17	AQ0009209	Screw M4x16 ISO 7045	1
18	AQ0010630	Screw M6 x 12 TCEI DIN 7984	2
19	AS0017299	Fixing plate 273x80x2 insert M5	1
20	AQ0016697	Inox hose M8x1 G1/2" F L600 DN6	2



WE ARE IB

WARRANTY

All IB Rubinetterie SpA products are warranted for 10 years from the date of purchase, for the following cases:

- Defects of casting, porosity and chrome plating.
- Operating defects caused by incorrect fabrication.

The warranty provides for repair or replacement of products with fabrication defects recognized by our technical office. There is no other type of compensation anche the merchandise must be returned FOB our warehouse. The warranty only cover surface defects (scartches, dings, etc.) on fitting that have not been installed and used, returned in its original packaging with all components. O-ring, gasket seals and components subject to wear proportional to use are warranted for 2 years.

The warranty is void in the following cases:

Error installing and putting the product into service.

Deterioration of finisched surfaces due to use of cleaning products containing acids or abrasive substances.

Deterioration of surface with finishes other than chrome plating. Their durability is, in fact, dependent on the user's care and gentleness of use.

Deterioration of the fitting due incorrect installation.

Improper repairs and maintenance performed without the company's prior authorization.

The warranty from IB Rubinetterie SpA is not renewable.

Cleaning

We recommended cleaning the finish surfaces with water and soap, using a soft cloth.

Do not use detergents that cointain hydrochloric acid or abrasive substances.