

Collection

BRERA

Article

RR392

Description

Three holes washbasin

Box Dimensions

370x270x80 mm

Weight

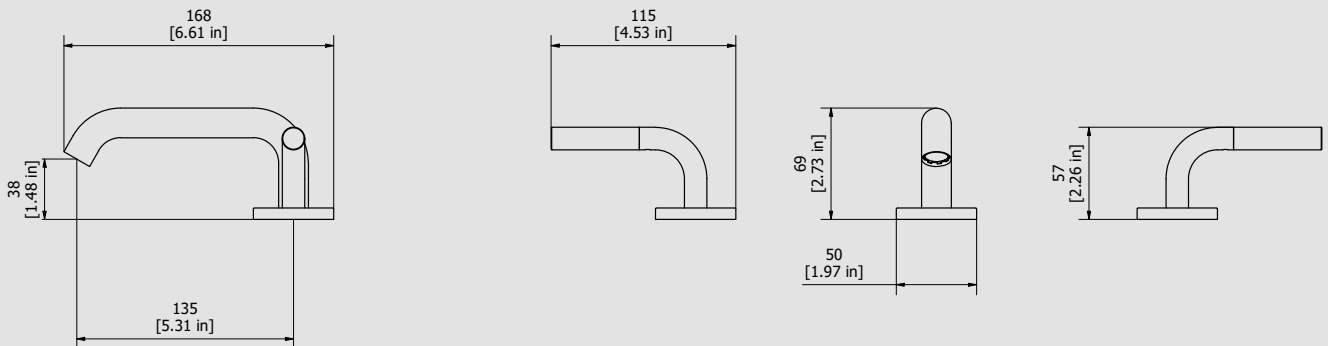
3 kg

Finishes

- **CC**
CHROME
- **PL**
PLATINUM
- **SS**
BRUSHED
NICKEL
- **ON**
NATURAL
BRASS
- **BO**
MATT
WHITE
- **NP**
MATT
BLACK
- **CF**
BLACK
CHROME
- **CS**
BRUSHED
BLACK
CHROME
- **II**
PALE
GOLD
- **IS**
BRUSHED
PALE GOLD
- **RS**
ROSE
GOLD
- **SR**
BRUSHED
ROSE GOLD
- **OO**
GOLD
- **OS**
BRUSHED
GOLD
- **RR**
ANTIQUÉ
COPPER
- **MB**
MODERN
BRONZE



Dimensions



Cartridge

G1/2" ceramic headwork

Threaded fitting

G1/2" male

Aerator

M16.5x1

Flow Rate (+/-10%)

1 BAR	2 BAR	3 BAR
5.5 l/m	6 l/m	6 l/m

Production

Main body is a machined from a solid pieces

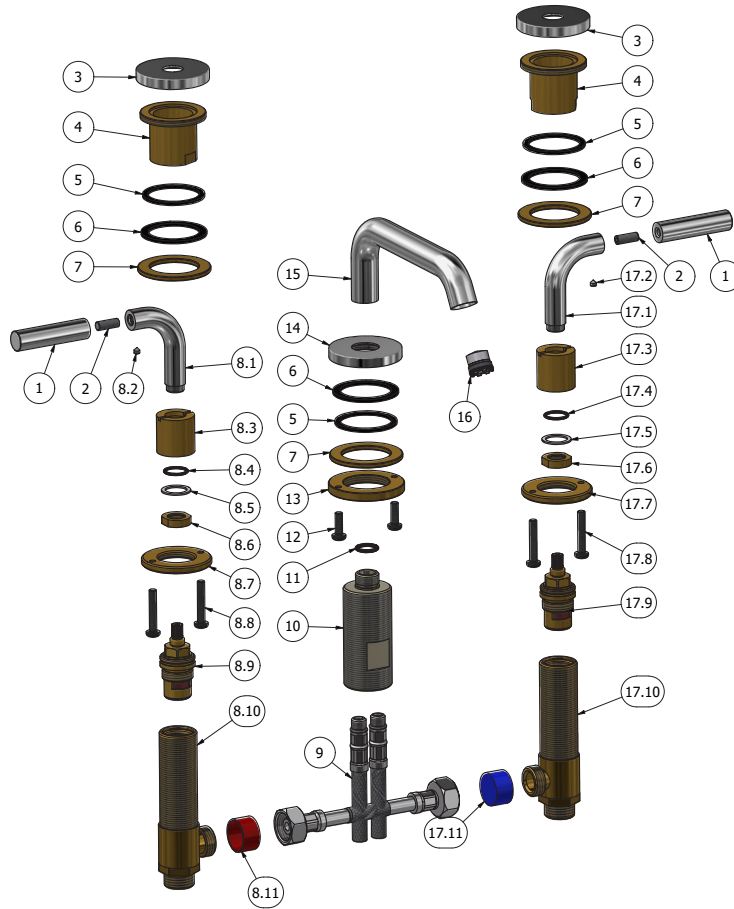
Material

BRASS
According to CuZn39Pb3 (CW614N)
Max Lead content: 2.5%



WE ARE IB

Parts list			
ELEM.	CODE	DESCRIPTION	QTA
1	AC0013136	Handle Ø14 L55 M6	2
2	AQ0014893	Grano inox M6x16 flat point	2
3	AC0013144	Cover Ø50 M45x1.5 H7	2
4	AS0013143	Valve fixing M45x1.5 W26x19 H34	2
5	AQ0008012	Plane seal Ø42.5x35.5x2	3
6	AQ0008013	Rubber packing 45x35x2	3
7	AS0010659	Brass ring Ø50x35.5x3	3
8	CPMB3930CC-1	Preassembled clamping nut left	1
8.1	AC0013187	Handle Ø14 H54 L35 M6 8x20 M12x1	1
8.2	AQ0001082	Grubscrew M4x4 cone point	1
8.3	AS0013145	Handle fixing Ø26 M24x1 H26	1
8.4	AQ0001380	OR 14x1.5 NBR 70 SH	1
8.5	AQ0013141	Antifriction ring Ø20 Ø15 H1	1
8.6	AS0013182	Handle stop Ø20 M12x1 H5	1
8.7	AS0010698	Ring nut W26x19	1
8.8	AQ0009153	Inox screw M5x30 ISO 7045	2
8.9	AQ0003930	Ceramic headwork 90° right	1
8.10	AS0002250	Washbasin upright W26x19	1
8.11	AQ0015328	Red plug G1/2"	1
9	AQ0010273	Inox hose M10x1 G1/2" L400	2
10	AN0012449	Threaded stem M33x1.5 M16x1 H80	1
11	AQ0006998	OR 12x2 NBR 70 SH	1
12	AQ0010358	Inox screw M5x16 ISO 7045	2
13	AS0010658	Ring nut with screwed holes Ø52 M33x1.5 H6	1
14	AC0013138	Base Ø50 H7 M33x1.5	1
15	AC0013140-TI	Spout Ø18.5 H64 L135	1
16	AQ0015903	Perlator PCA cachè 1.75 GPM (44.3361.010)	1
17	CPMB2135CC-1	Preassembled clamping nut right	1
17.1	AC0013187	Handle Ø14 H54 L35 M6 8x20 M12x1	1
17.2	AQ0001082	Grubscrew M4x4 cone point	1
17.3	AS0013145	Handle fixing Ø26 M24x1 H26	1
17.4	AQ0001380	OR 14x1.5 NBR 70 SH	1
17.5	AQ0013141	Antifriction ring Ø20 Ø15 H1	1
17.6	AS0013182	Handle stop Ø20 M12x1 H5	1
17.7	AS0010698	Ring nut W26x19	1
17.8	AQ0009153	Inox screw M5x30 ISO 7045	2
17.9	AQ0002135	Ceramic headwork 90° left	1
17.10	AS0002250	Washbasin upright W26x19	1
17.11	AQ0015329	Blue plug G1/2"	1



IB RUBINETTERIE s.p.a
via dei Pianotti 3/5
25068 Sarezzo (BS) - Italy -

T. +39 030 802101
F. +39 030 803097
info@weareib.it

P.IVA 01785230986
capitale sociale
€420.000,00 i.v.

www.weareib.it





WE ARE IB

WARRANTY

All IB Rubinetterie SpA products are warranted for 10 years from the date of purchase, for the following cases:

- Defects of casting, porosity and chrome plating.
- Operating defects caused by incorrect fabrication.

The warranty provides for repair or replacement of products with fabrication defects recognized by our technical office. There is no other type of compensation anche the merchandise must be returned FOB our warehouse. The warranty only cover surface defects (scartches, dings, etc.) on fitting that have not been installed and used, returned in its original packaging with all components. O-ring, gasket seals and components subject to wear proportional to use are warranted for 2 years.

The warranty is void in the following cases:

Error installing and putting the product into service.

Deterioration of finished surfaces due to use of cleaning products containing acids or abrasive substances.

Deterioration of surface with finishes other than chrome plating. Their durability is, in fact, dependent on the user's care and gentleness of use.

Deterioration of the fitting due incorrect installation.

Improper repairs and maintenance performed without the company's prior authorization.

The warranty from IB Rubinetterie SpA is not renewable.

Cleaning

We recommended cleaning the finish surfaces with water and soap, using a soft cloth.

Do not use detergents that cointain hydrochloric acid or abrasive substances.