

Collection

BRERA

Article

RR398

Description

Two wall shower mixer with spout

Built-in body to be purchased separately INC313

Box Dimensions

470 x 290 x 160 mm

Weight

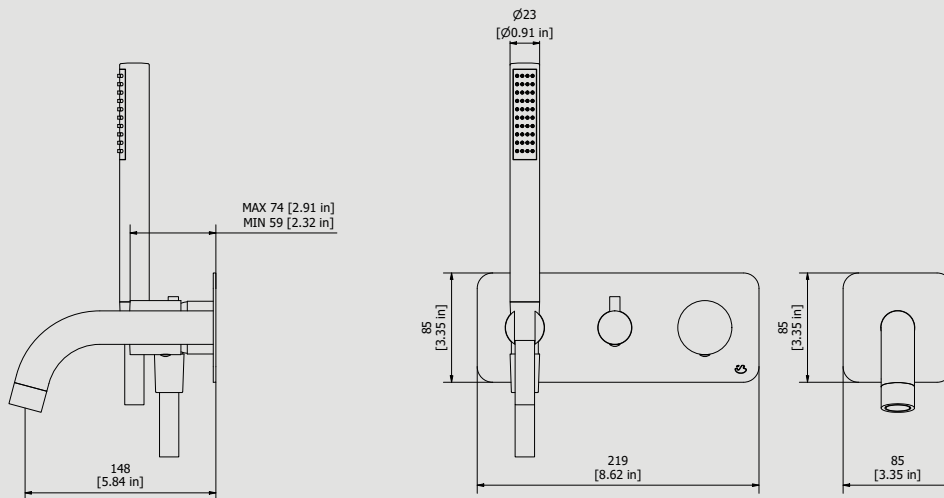
4.8 kg

Finishes

- **CC**
CHROME
- **CF**
BLACK CHROME
- **OO**
GOLD
- **MB**
MODERN BRONZE
- **SS**
BRUSHED NICKEL
- **CS**
BRUSHED BLACK CHROME
- **BO**
MATT WHITE
- **NP**
MATT BLACK
- **IS**
BRUSHED PALE GOLD
- **OS**
BRUSHED GOLD
- **II**
PALE GOLD
- **RR**
ANTIQUE COPPER
- **RS**
ROSE GOLD
- **ON**
NATURAL BRASS
- **SR**
BRUSHED ROSE GOLD
- **PL**
PLATINUM



Dimensions



Cartridge

Ø35 ceramic cartridge

Threaded fitting

G1/2" male

Aerator

M24x1

Flow Rate (+/-10%)

**1 BAR
10 l/min**

**2 BAR
14.1 l/min**

**3 BAR
17.2 l/min**

Production

Main body is a machined from a solid pieces

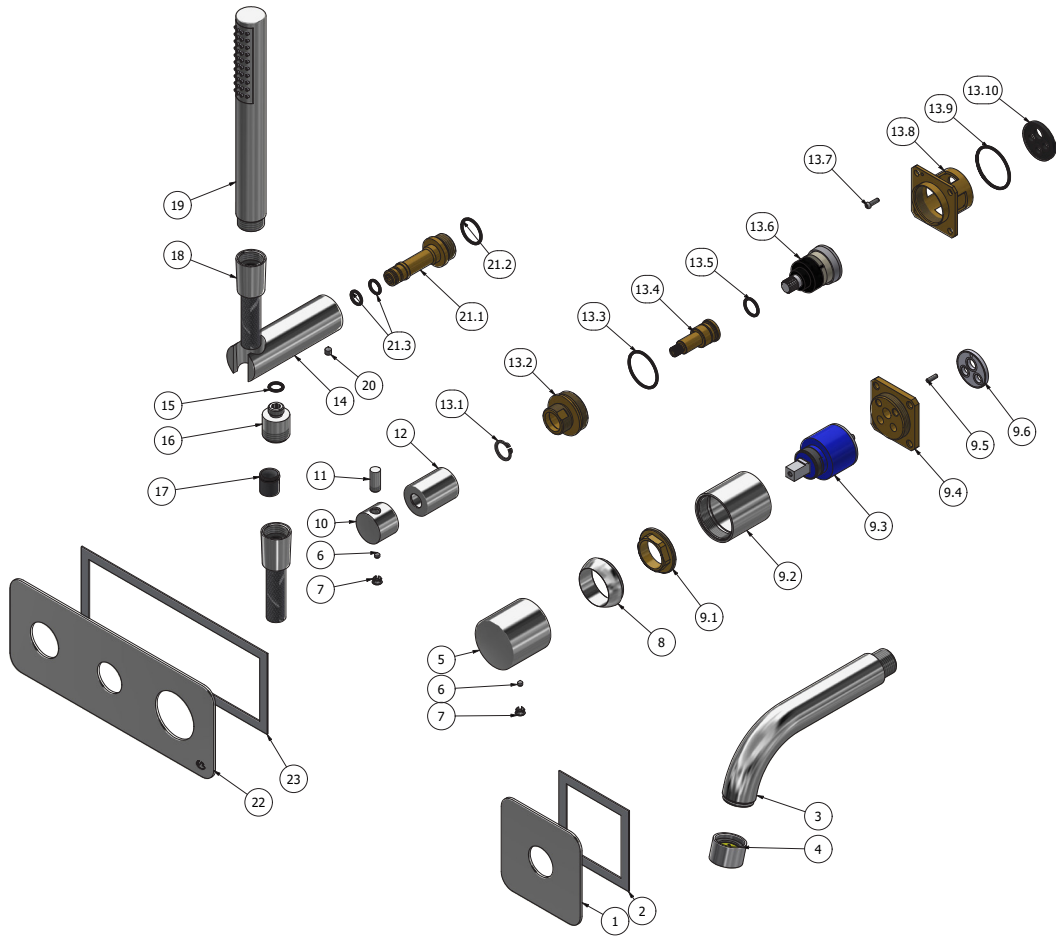
Material

BRASS
According to CuZn39Pb3 (CW614N)
Max Lead content: 2.5%



WE ARE IB

| Parts list | | | |
|------------|---------------|---|---------|
| ITEMS | CODE | DESCRIPTION | FIN QTA |
| 1 | AC0017933 | Plate 85x85x2 Ø26.5 | F 1 |
| 2 | AQ0015829 | Rubber packing double-sided tape 75x75x8x1 | - 1 |
| 3 | AC0012558 | Spout-out Ø26 L145 | F 1 |
| 4 | AQ0015036 | Aerator Ø26 H17 M24x1 flow straightener (40.9100.33301) | F 1 |
| 5 | AC0017970 | Handle Ø42 H40 | F 1 |
| 6 | AQ001082 | Grubscrew M4x4 cone point | - 2 |
| 7 | AQ0006650 | Plug cover Ø7 | F 2 |
| 8 | AQ0003630 | Cartridge ring nut cover M37x1.5 | F 1 |
| 9 | CPIN206CC-19 | Mixer 47x47 x recessed | - 1 |
| 9.1 | AQ0001040 | Cartridge ring nut M37x1.5 H9 | G 1 |
| 9.2 | AC0010445 | Recessed ring Ø41 M37x1.5 H40.7 | F 1 |
| 9.3 | AQ0004095 | Ceramic cartridge Ø35 9x9 (K35A) | - 1 |
| 9.4 | AS0013040 | Insert 47x47 H11 M37x1.5 | G 1 |
| 9.5 | AQ0015357 | Grubscrew M3x10 flat point | - 1 |
| 9.6 | AQ0015684 | Gasket Ø31 H3.5 Ø7 Ø7.5 | - 1 |
| 10 | AC0011372 | Diverter's knob Ø26 H20 | F 1 |
| 11 | AC0007092 | Handle knob M8 H19 | F 1 |
| 12 | AC0013054 | Ring Ø26 M22x1 F H33 | F 1 |
| 13 | CPDEV2VCCXN 1 | 90° built-in 2-way diverter 48x48 z8x20 | - 1 |
| 13.1 | AQ0015748 | Seeger ring Ø14 H1 | - 1 |
| 13.2 | AS0013050 | Junction M32x1 M22x1 H23 | G 1 |
| 13.3 | AQ0010597 | OR 28.3x1.78 NBR 70 SH | - 1 |
| 13.4 | AS0013048 | Rod Ø17.9 H42.4 | G 1 |
| 13.5 | AQ0004610 | OR 12.42x1.78 NBR 70 SH | - 1 |
| 13.6 | AQ0017450 | Cartridge dev.2 outputs 90° | - 1 |
| 13.7 | AQ0012206 | Inox screw M3x10 | - 1 |
| 13.8 | AS0013047 | Insert 47x47x32 | G 1 |
| 13.9 | AQ0008026 | OR 33.05x1.78 NBR 70 SH | - 1 |
| 13.10 | AQ0015686 | Rubber Ø32 H4 | - 1 |
| 14 | AC0013053 | Hand shower's support Ø30 L94.8 | F 1 |
| 15 | AQ0001340 | OR 8.73x1.78 NBR 70 SH | - 1 |
| 16 | AC0013052 | Reduction G1/2" M M12x1 M H20.5 | F 1 |
| 17 | AQ0013247 | Flow reduction+CV Ø15 4L | - 1 |
| 18 | AQ0018056 | Flex snapon G1/2" F L150cm Silver | F 1 |
| 19 | AQ0012085 | Hand shower stilo Ø23 H196 | F 1 |
| 20 | AQ0014670 | Grubscrew M5x6 cone point | - 1 |
| 21 | CP13051XXN 1 | Preassembled insert | - 1 |
| 21.1 | AS0018164 | Bayonet coupling G1/2" M H62.5 | G 1 |
| 21.2 | AQ0004640 | OR 18.77x1.78 NBR 70 SH | - 1 |
| 21.3 | AQ0004180 | OR 9.25x1.78 NBR 70 SH | - 2 |
| 22 | AQ0014139-TI | Plate 219x85x2 with logo | F 1 |
| 23 | AQ0014142 | Rubber packing double-sided tape 200x75x8x1 | - 1 |



IB RUBINETTERIE s.p.a
via dei Pianotti 3/5
25068 Sarezzo (BS) - Italy -

T. +39 030 802101
F. +39 030 803097
info@weareib.it

P.IVA 01785230986
capitale sociale
€420.000,00 i.v.

www.weareib.it
Instagram Facebook Pinterest icons





WE ARE IB

WARRANTY

All IB Rubinetterie SpA products are warranted for 10 years from the date of purchase, for the following cases:

- Defects of casting, porosity and chrome plating.
- Operating defects caused by incorrect fabrication.

The warranty provides for repair or replacement of products with fabrication defects recognized by our technical office. There is no other type of compensation anche the merchandise must be returned FOB our warehouse. The warranty only cover surface defects (scartches, dings, etc.) on fitting that have not been installed and used, returned in its original packaging with all components. O-ring, gasket seals and components subject to wear proportional to use are warranted for 2 years.

The warranty is void in the following cases:

Error installing and putting the product into service.

Deterioration of finisched surfaces due to use of cleaning products containing acids or abrasive substances.

Deterioration of surface with finishes other than chrome plating. Their durability is, in fact, dependent on the user's care and gentleness of use.

Deterioration of the fitting due incorrect installation.

Improper repairs and maintenance performed without the company's prior authorization.

The warranty from IB Rubinetterie SpA is not renewable.

Cleaning

We recommanded cleaning the finish surfaces with water and soap, using a soft cloth.

Do not use detergents that cointain hydrochloric acid or abrasive substances.