



WE ARE IB

Collection

Rubacuori

Article

RU399

Description

Free-standing bath filler with shower kit.

Built-in body to be purchased separately INC399.

Box Dimensions

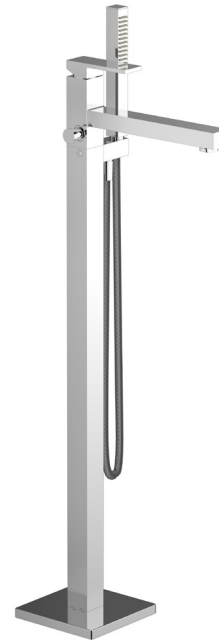
1110x400x170 mm

Weight

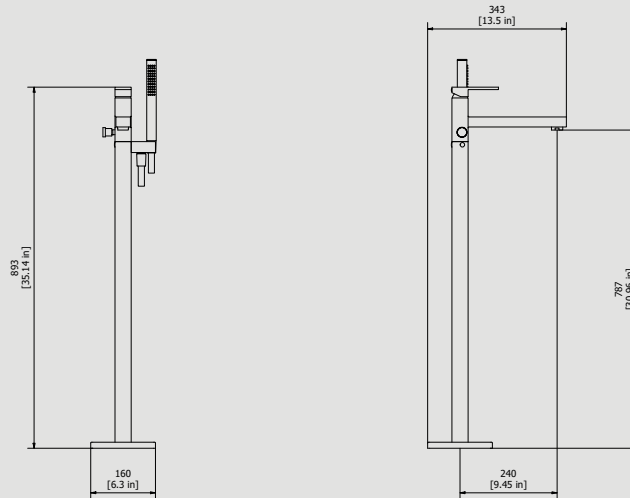
14 kg

Finishes

- **CC**
CHROME
- **CF**
BLACK CHROME
- **OO**
GOLD
- **MB**
MODERN BRONZE
- **SS**
BRUSHED NICKEL
- **CS**
BRUSHED BLACK CHROME
- **BO**
MATT WHITE
- **NP**
MATT BLACK
- **IS**
BRUSHED PALE GOLD
- **OS**
BRUSHED GOLD
- **II**
PALE GOLD
- **RR**
ANTIQUE COPPER
- **RS**
ROSE GOLD
- **ON**
NATURAL BRASS
- **SR**
BRUSHED ROSE GOLD
- **PL**
PLATINUM



Dimensions



Cartridge

Ø35 ceramic cartridge

Hose

Flex snapon G1/2" F L150cm

Aerator

M28x1

Flow Rate (+/-10%)

**1 BAR
12 l/min**

**2 BAR
17 l/min**

**3 BAR
21 l/min**

Production

Main body is a single hot stamped pieces

Material

**BRASS
According to CuZn42 (CW510L)
Max lead content: 0.2%**

IB RUBINETTERIE s.p.a
via dei Pianotti 3/5
25068 Sarezzo (BS) - Italy -

T. +39 030 802101
F. +39 030 803097
info@weareib.it

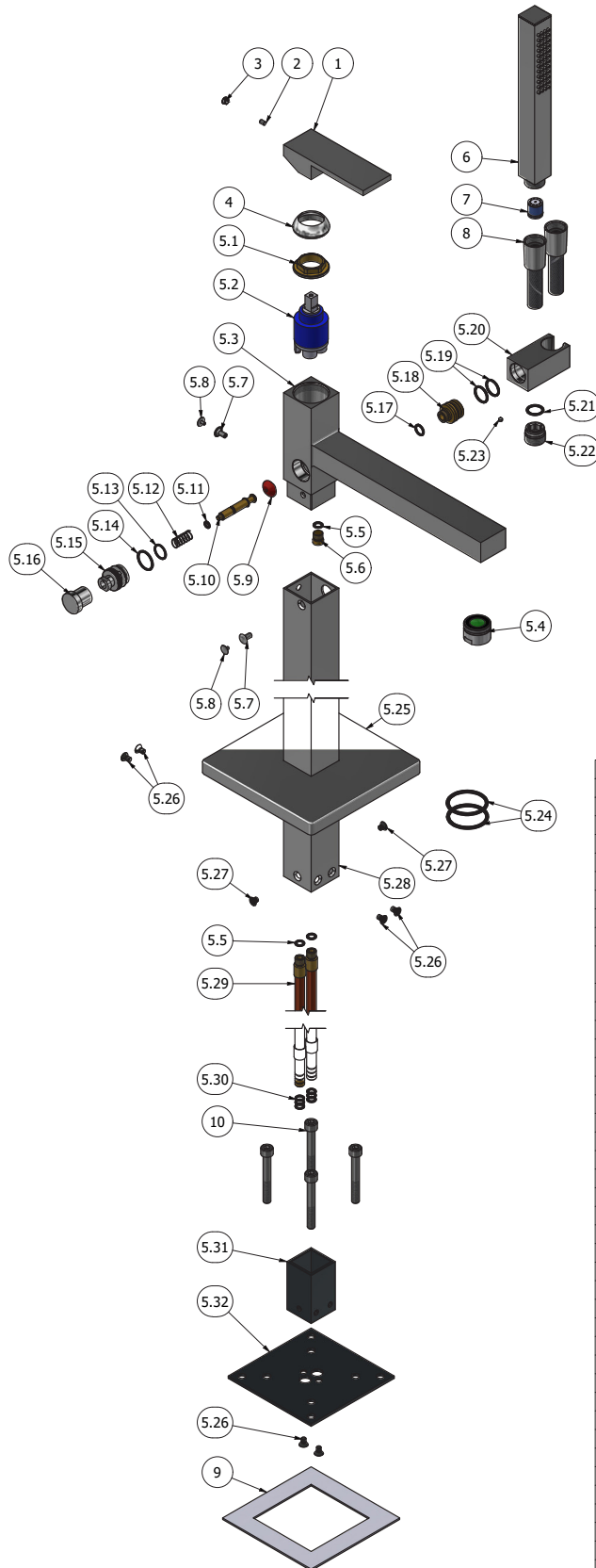
P.IVA 01785230986
capitale sociale
€420.000,00 i.v.

www.weareib.it





WE ARE IB



Parts list				
ITEMS	CODE	DESCRIPTION	FIN	QTA
1	AQ0013277-TI	Zamack square handle 40x40x23.5x115	F	1
2	AQ0001081	Grubscrew M4x6 flat point	-	1
3	AQ0006650	Plug cover Ø7	F	1
4	AQ0012068	Chromed cover nut Ø38,2 M37x1,5	F	1
5	CPRU399CC-21	Preassembled free-standing bath filler mixer	F	1
5.1	AQ0001040	Cartridge ring nut M37x1.5 H9	G	1
5.2	AQ0004075	Ceramic cartridge Ø35 9x9 with distributor	-	1
5.3	AQ0014340	Body 40x40x130 L283	F	1
5.4	AQ0009068	Neostrahl LP flow straightener - TF size (01.455.00001)	F	1
5.5	AQ0001330	OR 6.75x1.78 NBR 70 SH	-	3
5.6	AS0010770	Plug M10x1 H12	G	1
5.7	AC0010055	Screw M5x10	F	2
5.8	AC0007108	M3 plug cover for screw	F	2
5.9	AQ0000340	Biconic packaging NBR 60SH 18 x 9,6	-	1
5.10	AS0000140	Rod diverter	G	1
5.11	AQ0001410	OR 4.2x1.9 NBR 70 SH	-	1
5.12	AQ0001300	Spring F 0,6 D.E. 9,8 Sp.	-	1
5.13	AQ0001380	OR 14x1.5 NBR 70 SH	-	1
5.14	AQ0004640	OR 18.77x1.78 NBR 70 SH	-	1
5.15	AC0010454	Diverter body	F	1
5.16	AC0010455	Diverter knob Ø23 x 18,5 H.22,6	F	1
5.17	AQ0004180	OR 9.25x1.78 NBR 70 SH	-	1
5.18	AS0011545	Connection piece M12x1 L25	G	1
5.19	AQ0004600	OR 15.6x1.78 NBR 70 SH	-	2
5.20	AC0011546	Shower holder 30x30 L60	F	1
5.21	AQ0001390	OR 14x2 NBR 70 SH	-	1
5.22	AC0001250	Shower connection piece 1/2" 19x1	F	1
5.23	AQ0001082	Grubscrew M4x4 cone point	-	1
5.24	AQ0009533	OR 37x3 NBR 70 SH	-	2
5.25	AQ0014742	Carter 160x160x15 40.5x40.5	F	1
5.26	AQ0013722	Inox screw M5x8 countersunk head	-	6
5.27	AQ0014978	Inox screw M5x6 countersunk head	-	2
5.28	AC0015987	Pipe 40x40 H755	F	1
5.29	AS0012380	Pipe M10x1 L790	-	2
5.30	AQ0012025	OR 6.35x1.78 NBR 70 SH	-	6
5.31	AS0017307	Box 45x50x60 int.22	-	1
5.32	AS0017308	Flange 120x120x3 int. 22	-	1
6	AQ0013639	Square hand shower OnAir	F	1
7	AQ0006576	No return valve Ø15 (31.4015.00001)	-	1
8	AQ0018056	Flex snapon G1/2" F L150cm Silver	F	1
9	AQ0015986	Rubber packing double-sided tape 128x128x2	-	1
10	AQ0016200	Inox screw TCEI M8x60 DIN912	-	4



WE ARE IB

WARRANTY

All IB Rubinetterie SpA products are warranted for 10 years from the date of purchase, for the following cases:

- Defects of casting, porosity and chrome plating.
- Operating defects caused by incorrect fabrication.

The warranty provides for repair or replacement of products with fabrication defects recognized by our technical office. There is no other type of compensation anche the merchandise must be returned FOB our warehouse. The warranty only cover surface defects (scartches, dings, etc.) on fitting that have not been installed and used, returned in its original packaging with all components. O-ring, gasket seals and components subject to wear proportional to use are warranted for 2 years.

The warranty is void in the following cases:

Error installing and putting the product into service.

Deterioration of finished surfaces due to use of cleaning products containing acids or abrasive substances.

Deterioration of surface with finishes other than chrome plating. Their durability is, in fact, dependent on the user's care and gentleness of use.

Deterioration of the fitting due incorrect installation.

Improper repairs and maintenance performed without the company's prior authorization.

The warranty from IB Rubinetterie SpA is not renewable.

Cleaning

We recommanded cleaning the finish surfaces with water and soap, using a soft cloth.

Do not use detergents that cointain hydrochloric acid or abrasive substances.