



WE ARE IB

Collection

REFLEX

Article

RX800

Description

Thermostatic shower column

Box Dimensions

800 x 500 x 180 mm

Weight

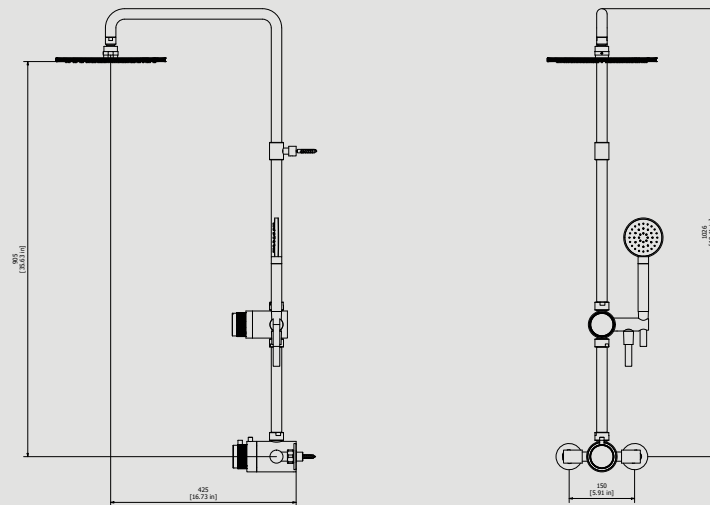
12.1 kg

Finishes

- **CC**
CHROME
- **CF**
BLACK CHROME
- **OO**
GOLD
- **MB**
MODERN BRONZE
- **SS**
BRUSHED NICKEL
- **CS**
BRUSHED BLACK CHROME
- **BO**
MATT WHITE
- **NP**
MATT BLACK
- **IS**
BRUSHED PALE GOLD
- **OS**
BRUSHED GOLD
- **II**
PALE GOLD
- **RR**
ANTIQUÉ COPPER
- **RS**
ROSE GOLD
- **ON**
NATURAL BRASS
- **SR**
BRUSHED ROSE GOLD
- **PL**
PLATINUM



Dimensions



Cartridge

Thermostatic cartridge

Threaded fitting

G1/2" male

Aerator

-

Flow Rate (+/-10%)

**1 BAR
10.7 l/min**

**2 BAR
15 l/min**

**3 BAR
18.5 l/min**

Production

Main body is a machined from a solid pieces

Material

**BRASS
According to CuZn39Pb3 (CW614N)
Max Lead content: 2.5%**

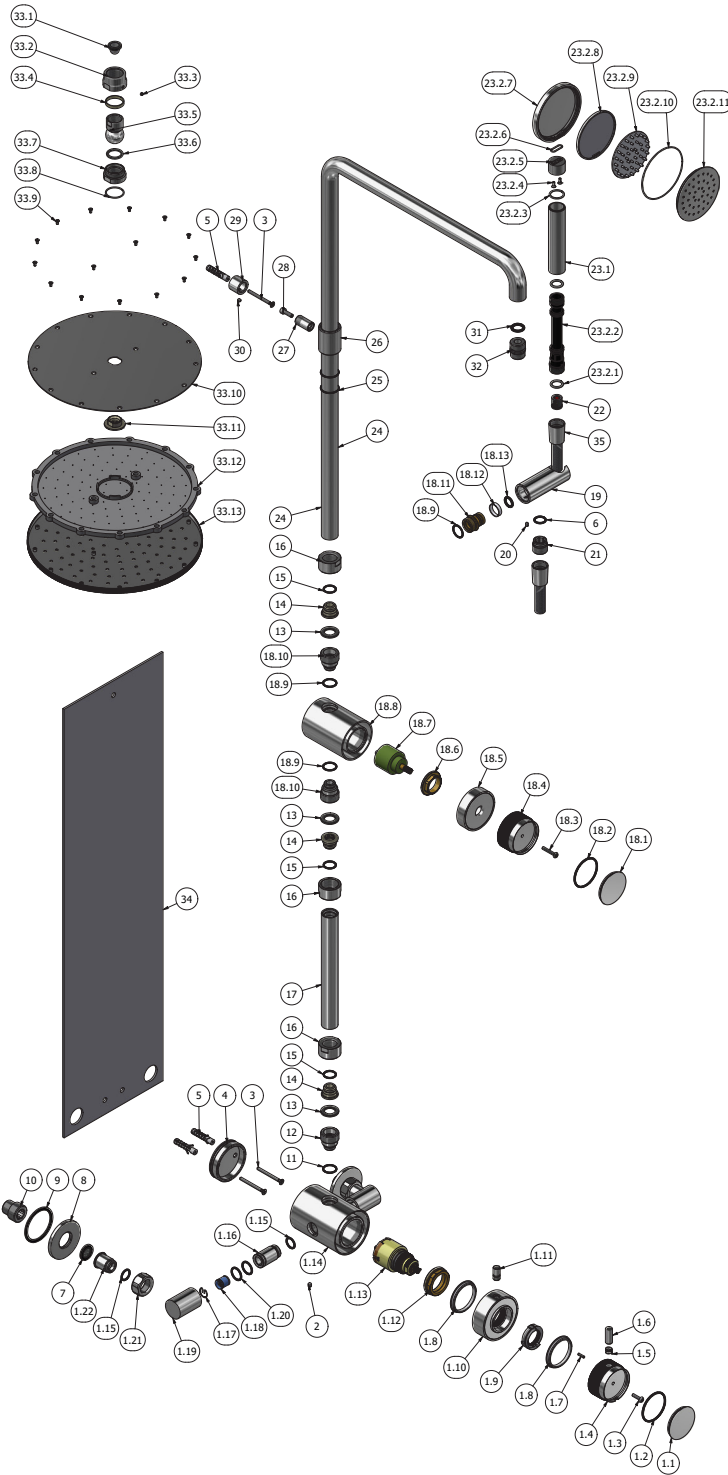
IB RUBINETTERIE s.p.a
via dei Pianotti 3/5
25068 Sarezzo (BS) - Italy -

T. +39 030 802101
F. +39 030 803097
info@weareib.it

P.IVA 01785230986
capitale sociale
€420.000,00 i.v.

www.weareib.it





Parts list			
ITEMS	CODE	DESCRIPTION	FIN QTA
1	CPRX12668CC-1	Pre-assembled thermostatic body	F 1
1.1	AC0011427	Plug Ø51.4 H8	- 1
1.2	AG0009984	OR 43x2 NBR 70 SH	- 1
1.3	AG0009209	Screw M4x16 ISO 7045	- 1
1.4	AC0016818	Thermo's Handle Ø55 H30 vertical knurled	F 1
1.5	AG0010629	Spring for Thermo's handle Ø9.9 H8	- 1
1.6	AC0011573	Thermo handle hub Ø10 H24	F 1
1.7	AG0016821	Plug Ø3 L12 ISO Ø73.4A	- 1
1.8	AG0013619	With POM ring Ø49.9 H5	- 2
1.9	AG0016745	Temperature stop ring	- 1
1.10	AC0016820	Capacity handle Ø70 H26.2	F 1
1.11	AC0016816	Rod M10 H20	F 1
1.12	AS0016819	Cartridge fixing nut W42x19 H12	G 1
1.13	AG0016744	Thermostatic coaxial cartridge	- 1
1.14	AC0012668	Thermostatic body Ø70 H90 42x19	F 1
1.15	AG0001390	OR 14x2 NBR 70 SH	- 4
1.16	AC0012708	Shower connection piece M19x1 H37	F 2
1.17	AG0009678	Elastic ring AISI 302	- 2
1.18	AG0009090	Not return valve Ø14 (31.4114.00001)	- 2
1.19	AC0016814	Connection piece M19x1 Ø30 H45	F 2
1.20	AG0009841	OR 17x2 NBR 70 SH	- 4
1.21	AC0000710	Fixing nut G3/4" H14 CH30	F 2
1.22	AC0012709	Connection piece M19x1 Ø24 H25.5	F 2
2	AG0014670	Grubscrew M5x6 cone point	- 1
3	AG0010666	Inox screw Ø4 L50	- 3
4	AN0012669	Wall fixing insert Ø59.8 Ø52 H15	N 1
5	AG0010660	Dowel fisher Ø8 L40	- 3
6	AG0001390	OR 14x2 NBR 70 SH	- 1
7	AG0010373	Rubber packing 3/4" H3 with filter	- 2
8	AC0012742	Resette Ø60 G3/4" H5	F 2
9	AG0011028	Flat gasket Ø55 Ø47 H2	- 1
10	AN0012657	Reduction G1/2" M G3/4" M H28	N 2
11	AG0004630	OR 17.16x1.78 NBR 70 SH	- 1
12	AC0010038	Shower connection piece M16X1 G3/4"	F 1
13	AG0001600	Gasket 24x16x2 G3/4"	- 3
14	AN0001931	Threaded connection piece M18x1.5 L H15.8	N 3
15	AG0004690	OR 15.8x1.78 NBR 70 SH	- 1
16	AC0012741	Nut Ø32 H18 G3/4"	F 3
17	AC0012653	Pipe Ø24 M18x1.5 sin H195	F 1
18	CPRX12670CC-1	Pre-assembled 2-way diverter D62 H80	F 1
18.1	AC0011427	Plug Ø51.4 H8	- 1
18.2	AG0009984	OR 43x2 NBR 70 SH	- 1
18.3	AG0010798	Inox screw M4x25	- 1
18.4	AC0016817	Diverter handle Ø55 H37.5 vertical knurled	F 1
18.5	AC0016815	Cover Ø62 H20 M37x1.5	F 1
18.6	AG0001040	Cartridge ring nut M37x1.5 H9	G 1
18.7	AG0015603	Ceramic cartridge diverter 2 way with stop CT35	- 1
18.8	AC0012670	Diverter 2 ways Ø62 H80	F 1
18.9	AG0004630	OR 17.16x1.78 NBR 70 SH	- 3
18.10	AC0010038	Shower connection piece M16X1 G3/4"	F 2
18.11	AS0011282	Connection piece for spout-out G1/2" L27.7	G 1
18.12	AG0010435	Teflon ring Ø19.9 x 5	- 1
18.13	AG0001360	OR 11.91x2.62 NBR 70 SH	- 1
19	AC0012752	Hand shower support Ø29.8 H81	F 1
20	AG0010444	Grubscrew M4x6 cone point	- 1
21	AC0011892	Shower connection piece G1/2" M19x1 H19	F 1
22	AG0013247	Flow reduction+CV Ø15.4L	- 1
23	AC0016742	Round handshower Ø90 H213	F 1
23.1	AC0016844	Knob Ø24 H110	F 1
23.2	AG0016231	Round handshower Ø90 H213	- 1
23.2.1	AG0016231.8	OR 13.95x2.62 NBR 70 SH	- 2
23.2.2	AG0016231.9	Insert for handshower G1/2"	- 1
23.2.3	AG0016231.7	OR 18x2 NBR 70 SH	- 1
23.2.4	AG0016231.6	Screw inox M3x8 TSP DIN7991	- 2
23.2.5	AG0016231.5	Insert Ø24 M10x1 H16	F 1
23.2.6	AG0016231.4	OR 12x1.5 NBR 70 SH	- 1
23.2.7	AG0016231.3	Handshower head Ø90	F 1
23.2.8	AG0016231.10	Diffuser press cover	- 1
23.2.9	AG0016231.2	Shower diffuser	- 1
23.2.10	AG0016231.11	OR 80x1.3 NBR 70 SH	- 1
23.2.11	AG0016231.1	Diffuser holder flange	F 1
24	AC0012652	Pipe Ø24 H67.2 L404 M18x1.5 sx M22x1 M	F 1
25	AG0009815	OR 23.52x1.78 NBR 70 SH	- 2
26	AC0016849	Support tube Ø32 H40	F 1
27	AC0016850	Support tube M14x1.5 H26 Ø9	F 1
28	AG0010893	Inox screw ISO 4762 M5x16	- 1
29	AC0012658	Wall insert fixing Ø22 H17	F 1
30	AG0010117	Grubscrew M5x4 cone point	- 1
31	AG0008093	OR 14x3 NBR 70 SH	- 1
32	AC0012652.1	Junction G1/2" M22x1 H25	F 1
33	CPRX025CC-1	Shower head Ø250	F 1
33.1	AG0010701.1	Gasket Ø19 th.3 with filter	- 1
33.2	AG0010701.2	Ring nut Ø34 H20	F 1
33.3	AG0010701.3	Grub screw inox M4x3 p.p.	- 1
33.4	AG0010701.4	Ring	- 1
33.5	AG0010701.5	Sphere Ø26 G"1/2F	F 1
33.6	AG0010701.6	OR 18x3 NBR 70 SH	- 1
33.7	AG0010701.7	Threaded insert Ø32 H15	F 1
33.8	AG0010701.8	OR 24x1.5 NBR 70 SH	- 1
33.9	AG0010701.9	Screw inox M3x6 TSP UNI 7991	- 15
33.10	AG0010701.10	Plate Ø247.5 th.1	F 1
33.11	AG0010701.11	Injector insert Ø30	N 1
33.12	AG0010701.12	Diffuser	- 1
33.13	AC0016657	Flanged Ø250 vertical knurled	F 1
34	AG0015248	Template 150x180x350	- 1
35	AG0018056	Flex snapon G1/2" F L150cm Silver	F 1



WE ARE IB

WARRANTY

All IB Rubinetterie SpA products are warranted for 10 years from the date of purchase, for the following cases:

- Defects of casting, porosity and chrome plating.
- Operating defects caused by incorrect fabrication.

The warranty provides for repair or replacement of products with fabrication defects recognized by our technical office. There is no other type of compensation anche the merchandise must be returned FOB our warehouse. The warranty only cover surface defects (scartches, dings, etc.) on fitting that have not been installed and used, returned in its original packaging with all components. O-ring, gasket seals and components subject to wear proportional to use are warranted for 2 years.

The warranty is void in the following cases:

Error installing and putting the product into service.

Deterioration of finished surfaces due to use of cleaning products containing acids or abrasive substances.

Deterioration of surface with finishes other than chrome plating. Their durability is, in fact, dependent on the user's care and gentleness of use.

Deterioration of the fitting due incorrect installation.

Improper repairs and maintenance performed without the company's prior authorization.

The warranty from IB Rubinetterie SpA is not renewable.

Cleaning

We recommanded cleaning the finish surfaces with water and soap, using a soft cloth.

Do not use detergents that cointain hydrochloric acid or abrasive substances.