



WE ARE IB

Collection

SUPERBOX

Article

SB200

Description

Monohole washbasin mixer.

Box Dimensions

225 x 95 x 70 mm

Weight

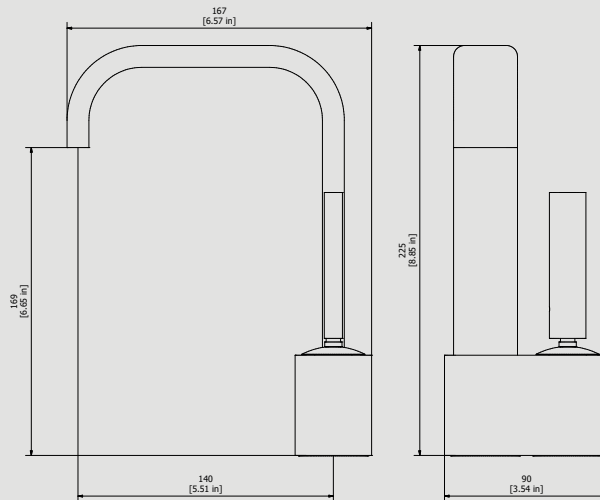
2.6 kg

Finishes

- **CC**
CHROME
- **CF**
BLACK CHROME
- **OO**
GOLD
- **BB**
ANTIQUÉ BRONZE
- **SS**
BRUSHED NICKEL
- **CS**
BRUSHED BLACK CHROME
- **BO**
MATT WHITE
- **NP**
MATT BLACK
- **IS**
BRUSHED PALE GOLD
- **OS**
BRUSHED GOLD
- **II**
PALE GOLD
- **RR**
ANTIQUÉ COPPER
- **ORS**
ROSE GOLD
- **ON**
NATURAL BRASS
- **SR**
BRUSHED ROSE GOLD
- **PL**
PLATINUM



Dimensions



Cartridge

Ø25 ceramic cartridge

Hoses

Inox hoses G3/8" female 400 mms long

Aerator

-

Flow Rate (+/-10%)

**1 BAR
8 l/min**

**2 BAR
10 l/min**

**3 BAR
10 l/min**

Production

Main body is a single hot stamped pieces

Material

**BRASS
According to CuZn42 (CW510L)
Max Lead content: 0.2%**

IB RUBINETTERIE s.p.a
via dei Pianotti 3/5
25068 Sarezzo (BS) - Italy -

T. +39 030 802101
F. +39 030 803097
info@weareib.it

P.IVA 01785230986
capitale sociale
€420.000,00 i.v.

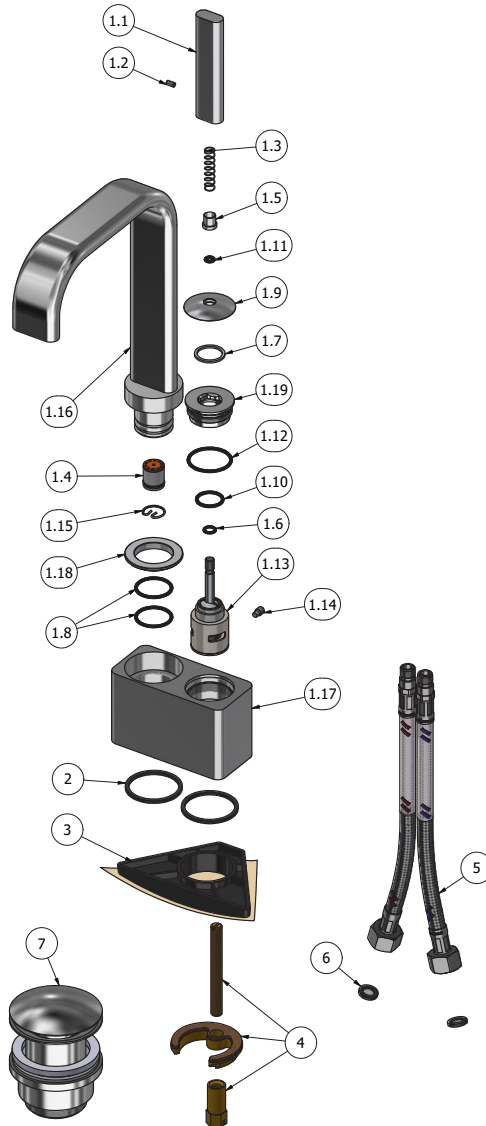
www.weareib.it





WE ARE IB

| Elenco parti | | | |
|--------------|---------------|---|-----|
| ELEM. | CODICE | NUMERO DI MAGAZZINO | QTÀ |
| 1 | CPKSB200CCX02 | Preassembled washbasin | 1 |
| 1.1 | AC0011283 | Washbasin lever 80x20x10 | 1 |
| 1.2 | AQ0010525 | Grubscrew M3x6 flat point | 1 |
| 1.3 | AQ0013011 | Spring L30 F0.5 Ø7 | 1 |
| 1.4 | AQ0011121 | Valve reduction flow 10 LTM (31.4190.0) | 1 |
| 1.5 | AC0011284 | Plunger for lever Ø7.9 Ø9.5 H9 hole 6,5 | 1 |
| 1.6 | AQ0001325 | OR 6x1.5 NBR 70 SH | 1 |
| 1.7 | AQ0011008 | Teflon antifriction ring 20,4X17 | 1 |
| 1.8 | AQ0006637 | OR 21.95x1.78 NBR 70 SH | 2 |
| 1.9 | AC0010892 | Cartridge fixing nut sliding cover Ø34,5 H.4,2 | 1 |
| 1.10 | AQ0004600 | OR 15.6x1.78 NBR 70 SH | 1 |
| 1.11 | AQ0007122 | OR 3.69x1.78 NBR 70 SH | 1 |
| 1.12 | AQ0010564 | OR 26.7x1.78 NBR 70 SH | 1 |
| 1.13 | AQ0011012 | Ceramic cartridge open Ø25 with M6 rod (ST 325) | 1 |
| 1.14 | AQ0007178 | Grubscrew M5x8 half dog point | 1 |
| 1.15 | AQ0009678 | Elastic ring AISI 302 | 1 |
| 1.16 | AC0011100 | Spout-out 35x12 H180 | 1 |
| 1.17 | CC0003189 | Washbasin body 90x55x42 | 1 |
| 1.18 | AQ0012088 | Teflon ring Ø38.8xØ26 H5 | 1 |
| 1.19 | AC0010893 | Cartridge fixing nut Ø32.8 H.13,5 | 1 |
| 2 | AQ0010274 | Rubber packing Ø38x33.5x2 | 2 |
| 3 | AQ0009184 | Support base for sink | 1 |
| 4 | AQ0010357 | Fixing set | 1 |
| 5 | AQ0000932 | Flex inox M10x1 G3/8" F L400 | 2 |
| 6 | AQ0009513 | Rubber packing G3/8" H 2 | 2 |
| 7 | AQ0009837 | Simple rapid waste 1"1/4 | 1 |





WE ARE IB

WARRANTY

All IB Rubinetterie SpA products are warranted for 10 years from the date of purchase, for the following cases:

- Defects of casting, porosity and chrome plating.
- Operating defects caused by incorrect fabrication.

The warranty provides for repair or replacement of products with fabrication defects recognized by our technical office. There is no other type of compensation anche the merchandise must be returned FOB our warehouse. The warranty only cover surface defects (scartches, dings, etc.) on fitting that have not been installed and used, returned in its original packaging with all components. O-ring, gasket seals and components subject to wear proportional to use are warranted for 2 years.

The warranty is void in the following cases:

Error installing and putting the product into service.

Deterioration of finished surfaces due to use of cleaning products containing acids or abrasive substances.

Deterioration of surface with finishes other than chrome plating. Their durability is, in fact, dependent on the user's care and gentleness of use.

Deterioration of the fitting due incorrect installation.

Improper repairs and maintenance performed without the company's prior authorization.

The warranty from IB Rubinetterie SpA is not renewable.

Cleaning

We recommanded cleaning the finish surfaces with water and soap, using a soft cloth.

Do not use detergents that cointain hydrochloric acid or abrasive substances.