

Collection

SUPERBOX

Article

SB322_23

Description

Long wall mounted spout.

Box Dimensions

210 x 130 x 70 mm

Weight

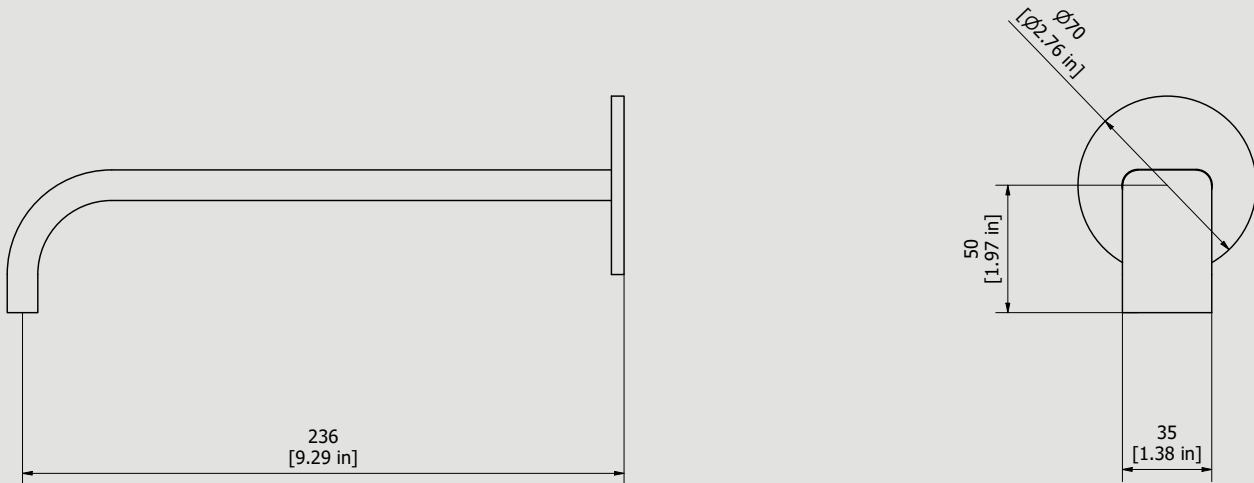
0.5 kg

Finishes

- **CC**
CHROME
- **CF**
BLACK CHROME
- **OO**
GOLD
- **BB**
ANTIQUE BRONZE
- **SS**
BRUSHED NICKEL
- **CS**
BRUSHED BLACK CHROME
- **BO**
MATT WHITE
- **NP**
MATT BLACK
- **IS**
BRUSHED PALE GOLD
- **OS**
BRUSHED GOLD
- **II**
PALE GOLD
- **RR**
ANTIQUE COPPER
- **ORS**
ROSE GOLD
- **ON**
NATURAL BRASS
- **SR**
BRUSHED ROSE GOLD
- **PL**
PLATINUM



Dimensions



Cartridge

-

Threaded fitting

G1/2" male

Aerator

-

Flow Rate (+/-10%)

**1 BAR
8 l/min**

**2 BAR
10 l/min**

**3 BAR
10 l/min**

Production

Main body is a machined from a solid pieces

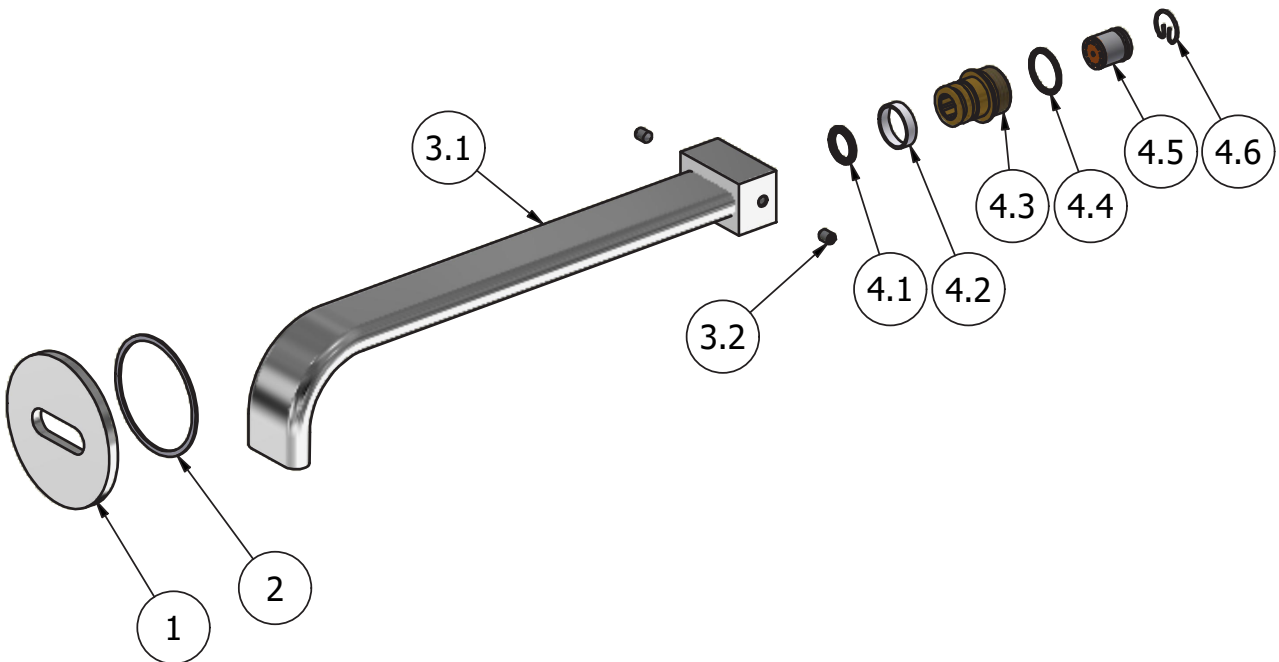
Material

BRASS
According to CuZn39Pb3 (CW614N)
Max Lead content: 2.5%



WE ARE **IB**

Parts list				
ITEMS	CODE	DESCRIPTION	FIN	QTÀ
1	AC0018088	Rosette Ø70 H5 35.5x12.5	F	1
2	AQ0015601	Rubber packing double-sided tape Ø55xØ50x1	-	1
3	CP11229CC-1	Preassembled washbasin spout L245		1
3.1	AC0011229	Washbasin spout L245	F	1
3.2	AQ0010869	Grubscrew M5x8 cone point	-	2
4	CP12053-10	Insert for spout-out with valve 10 lt		1
4.1	AQ0001360	OR 11.91x2.62 NBR 70 SH	-	1
4.2	AQ0010435	Teflon ring Ø19,9 x 5	-	1
4.3	AS0012053	Washbasin spout's insert	G	1
4.4	AQ0004630	OR 17.16x1.78 NBR 70 SH	-	1
4.5	AQ0011121	Valve reduction flow 10 LTM (31.4190.0)	-	1
4.6	AQ0009678	Elastic ring AISI 302	-	1





WE ARE IB

WARRANTY

All IB Rubinetterie SpA products are warranted for 10 years from the date of purchase, for the following cases:

- Defects of casting, porosity and chrome plating.
- Operating defects caused by incorrect fabrication.

The warranty provides for repair or replacement of products with fabrication defects recognized by our technical office. There is no other type of compensation anche the merchandise must be returned FOB our warehouse. The warranty only cover surface defects (scartches, dings, etc.) on fitting that have not been installed and used, returned in its original packaging with all components. O-ring, gasket seals and components subject to wear proportional to use are warranted for 2 years.

The warranty is void in the following cases:

Error installing and putting the product into service.

Deterioration of finished surfaces due to use of cleaning products containing acids or abrasive substances.

Deterioration of surface with finishes other than chrome plating. Their durability is, in fact, dependent on the user's care and gentleness of use.

Deterioration of the fitting due incorrect installation.

Improper repairs and maintenance performed without the company's prior authorization.

The warranty from IB Rubinetterie SpA is not renewable.

Cleaning

We recommanded cleaning the finish surfaces with water and soap, using a soft cloth.

Do not use detergents that cointain hydrochloric acid or abrasive substances.