



WE ARE IB

Collection

SUPERBOX

Article

SB390

Description

Three holes washbasin.

Box Dimensions

455 x 310 x 75 mm

Weight

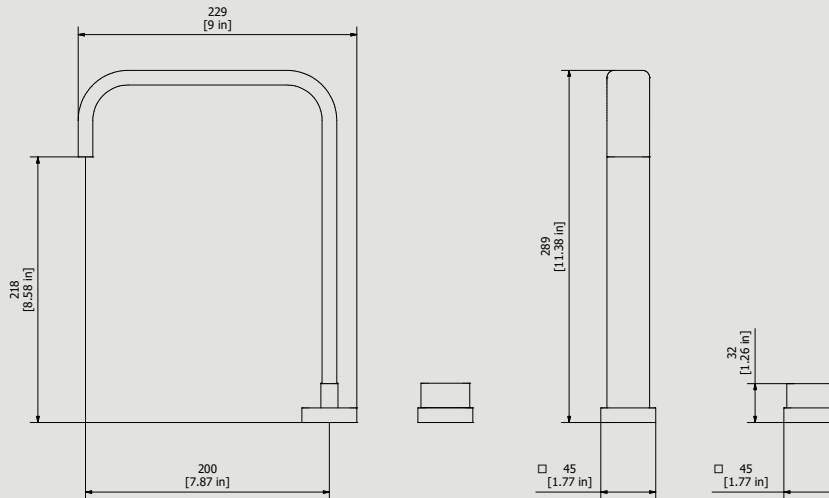
3.2 kg

Finishes

- **CC**
CHROME
- **CF**
BLACK CHROME
- **OO**
GOLD
- **BB**
ANTIQUE BRONZE
- **SS**
BRUSHED NICKEL
- **CS**
BRUSHED BLACK CHROME
- **BO**
MATT WHITE
- **NP**
MATT BLACK
- **IS**
BRUSHED PALE GOLD
- **OS**
BRUSHED GOLD
- **II**
PALE GOLD
- **RR**
ANTIQUE COPPER
- **ORS**
ROSE GOLD
- **ON**
NATURAL BRASS
- **SR**
BRUSHED ROSE GOLD
- **PL**
PLATINUM



Dimensions



Cartridge

G1/2" ceramic headwork

Threaded fitting

G1/2" male

Aerator

-

Flow Rate (+/-10%)

1 BAR
10 l/min

2 BAR
10.5 l/min

3 BAR
11.5 l/min

Production

Main body is a single hot stamped pieces

Material

BRASS
According to CuZn42 (CW510L)
Max Lead content: 0.2%

IB RUBINETTERIE s.p.a
via dei Pianotti 3/5
25068 Sarezzo (BS) - Italy -

T. +39 030 802101
F. +39 030 803097
info@weareib.it

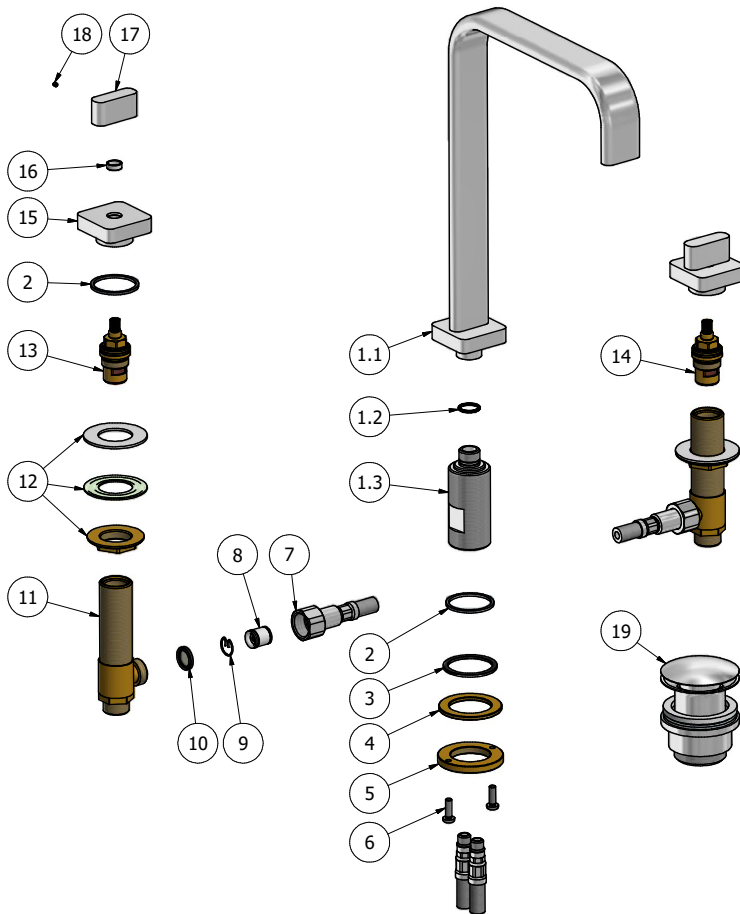
P.IVA 01785230986
capitale sociale
€420.000,00 i.v.

www.weareib.it





WE ARE IB



Parts list			
ELEM	CODE	DESCRIPTION	QT
1	CPSB390C C-1	Preassembled spout-out	1
1.1	AC0011245	Complete welded spout	1
1.2	AQ0009818	OR 14x1.78 NBR 70 SH	1
1.3	AC0010761	Threaded stem M33x1.5 G3/8" H80	1
2	AQ0010274	Rubber packing Ø38x33.5x2	3
3	AQ0008012	Plane seal Ø42.5x35.5x2	1
4	AS0010659	Brass ring Ø50x35.5x3	1
5	AS0010658	Ring nut with screwed holes Ø52 M33x1.5 H6	1
6	AQ0010358	Inox screw M5x16	2
7	AQ0010273	Inox hose M10x1 G1/2" L400	2
8	AQ0010290	Flow valve 6 Lt (31.4182.0)	2
9	AQ0009678	Elastic ring AISI 302	2
10	AQ0010360	Rubber packing 1/2" H2 with filter	2
11	AS0002250	Washbasin upright W26x19	2
12	AQ0010271	Fixing set	1
13	AQ0010848	Ceramic headwork 90°right	1
14	AQ0010849	Ceramic headwork 90°left	1
15	AC0011243	Handle's base 45x45 H12 R6	2
16	AQ0012089	Teflon ring Ø11.95x10.1 H4.25	2
17	CC0002190	Rectangular handle 40x14x20	2
18	AQ0012090	Grubscrew M3x3 cone point	2
19	AQ0009837	Simple rapid waste 1"1/4	1



WE ARE IB

WARRANTY

All IB Rubinetterie SpA products are warranted for 10 years from the date of purchase, for the following cases:

- Defects of casting, porosity and chrome plating.
- Operating defects caused by incorrect fabrication.

The warranty provides for repair or replacement of products with fabrication defects recognized by our technical office. There is no other type of compensation anche the merchandise must be returned FOB our warehouse. The warranty only cover surface defects (scartches, dings, etc.) on fitting that have not been installed and used, returned in its original packaging with all components. O-ring, gasket seals and components subject to wear proportional to use are warranted for 2 years.

The warranty is void in the following cases:

Error installing and putting the product into service.

Deterioration of finished surfaces due to use of cleaning products containing acids or abrasive substances.

Deterioration of surface with finishes other than chrome plating. Their durability is, in fact, dependent on the user's care and gentleness of use.

Deterioration of the fitting due incorrect installation.

Improper repairs and maintenance performed without the company's prior authorization.

The warranty from IB Rubinetterie SpA is not renewable.

Cleaning

We recommended cleaning the finish surfaces with water and soap, using a soft cloth.

Do not use detergents that cointain hydrochloric acid or abrasive substances.