



IB RUBINETTI

Collection

TWITTER

Article

TW320_23

Description

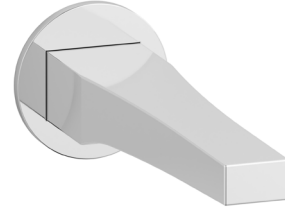
Wall mounted spout

Box Dimensions

150 x 190 x 98 mm

Weight

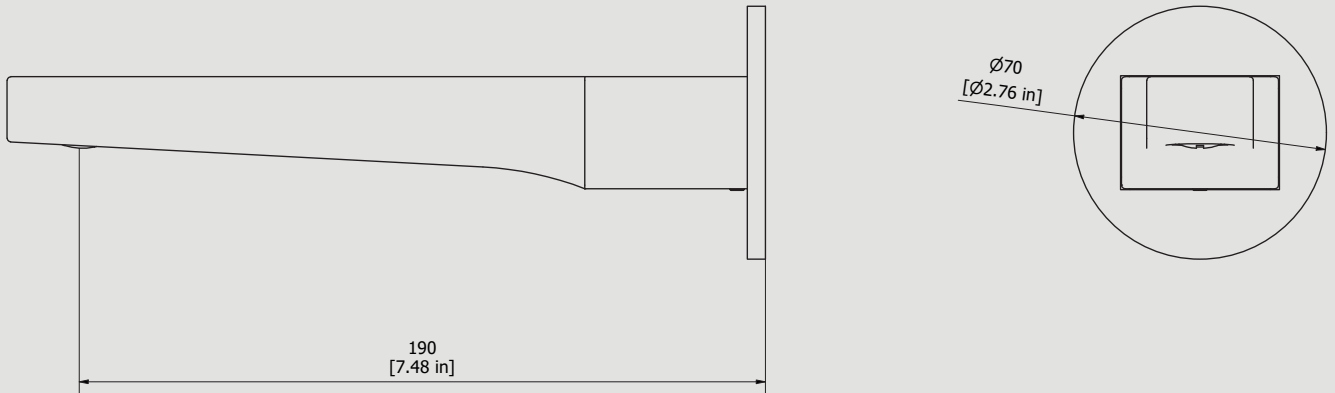
1 kg



Finishes

- **CC**
CHROME
- **CF**
BLACK CHROME
- **OO**
GOLD
- **MB**
MODERN BRONZE
- **SS**
BRUSHED NICKEL
- **CS**
BRUSHED BLACK CHROME
- **BO**
MATT WHITE
- **NP**
MATT BLACK
- **IS**
BRUSHED PALE GOLD
- **OS**
BRUSHED GOLD
- **II**
PALE GOLD
- **RR**
ANTIQUÉ COPPER
- **ORS**
ROSE GOLD
- **ON**
NATURAL BRASS
- **SR**
BRUSHED ROSE GOLD
- **PL**
PLATINUM

Dimensions



Cartridge

-

Threaded fitting

Treaded fitting G1/2" male

Aerator

M18.5x1

Flow Rate (+/-10%)

1 BAR	2 BAR	3 BAR
3 l\min	3.8 l\min	3.8 l\min

Production

Main body is a single casted pieces

Material

BRASS
According to CuZn35Pb2Al-B (CB752S)
Max Lead content: 1.36%

IB RUBINETTERIE s.p.a
via dei Pianotti 3/5
25068 Sarezzo (BS) - Italy -

T. +39 030 802101
F. +39 030 803097
info@ibrubinetterie.it

P.IVA 01785230986
capitale sociale
€420.000,00 i.v.

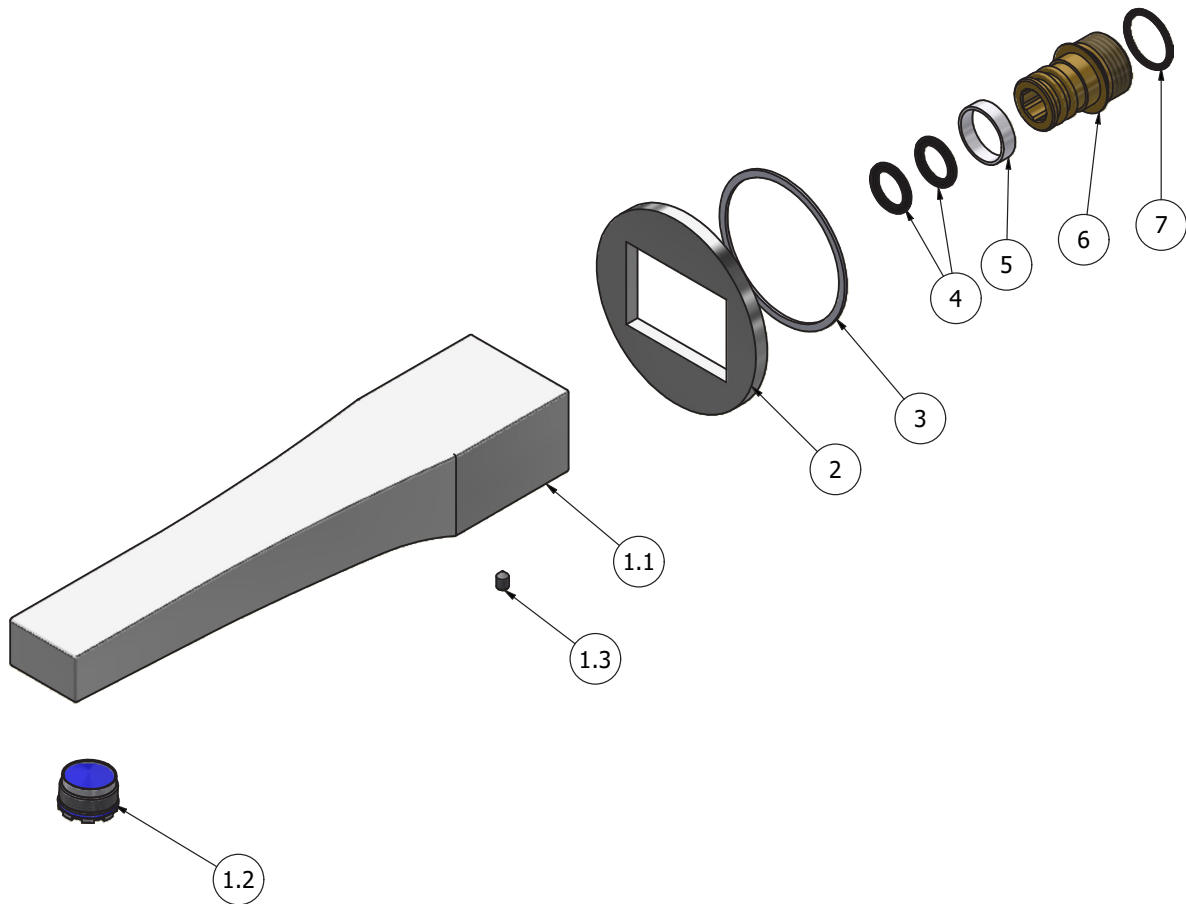
WWW.IBRUBINETTI.IT





IB RUBINETTI

Parts list				
ITEMS	CODE	DESCRIPTION	FIN	QTÀ
1	CP02510CCN_20	Pre-assembled wall mouth	F	1
1.1	CC0002510	Spout 43.5x31 L210	F	1
1.2	AQ0015692	Cachè perlator M18,5 x 1 coin slot 1 GPM	-	1
1.3	AQ0010444	Grubscrew M4x6 cone point	-	1
2	AC0018104	Rosette Ø70 H5 44x31.5	F	1
3	AQ0015601	Rubber packing double-sided tape Ø55xØ50x1	-	1
4	AQ0001360	OR 11.91x2.62 NBR 70 SH	-	2
5	AQ0010435	Teflon ring Ø19,9 x 5	-	1
6	AS0010397	Linking piece for spout G1/2"	G	1
7	AQ0004630	OR 17.16x1.78 NBR 70 SH	-	1





WARRANTY

All IB Rubinetterie SpA products are warranted for 10 years from the date of purchase, for the following cases:

- Defects of casting, porosity and chrome plating.
- Operating defects caused by incorrect fabrication.

The warranty provides for repair or replacement of products with fabrication defects recognized by our technical office. There is no other type of compensation anche the merchandise must be returned FOB our warehouse. The warranty only cover surface defects (scartches, dings, etc.) on fitting that have not been installed and used, returned in its original packaging with all components. O-ring, gasket seals and components subject to wear proportional to use are warranted for 2 years.

The warranty is void in the following cases:

Error installing and putting the product into service.

Deterioration of finished surfaces due to use of cleaning products containing acids or abrasive substances.

Deterioration of surface with finishes other than chrome plating. Their durability is, in fact, dependent on the user's care and gentleness of use.

Deterioration of the fitting due incorrect installation.

Improper repairs and maintenance performed without the company's prior authorization.

The warranty from IB Rubinetterie SpA is not renewable.

Cleaning

We recommanded cleaning the finish surfaces with water and soap, using a soft cloth.

Do not use detergents that cointain hydrochloric acid or abrasive substances.