

Collection

## VINILE

Article

### VN396

Description

**Four holes deck mounted bath filler**

Box Dimensions

**400x200x140 mm**

Weight

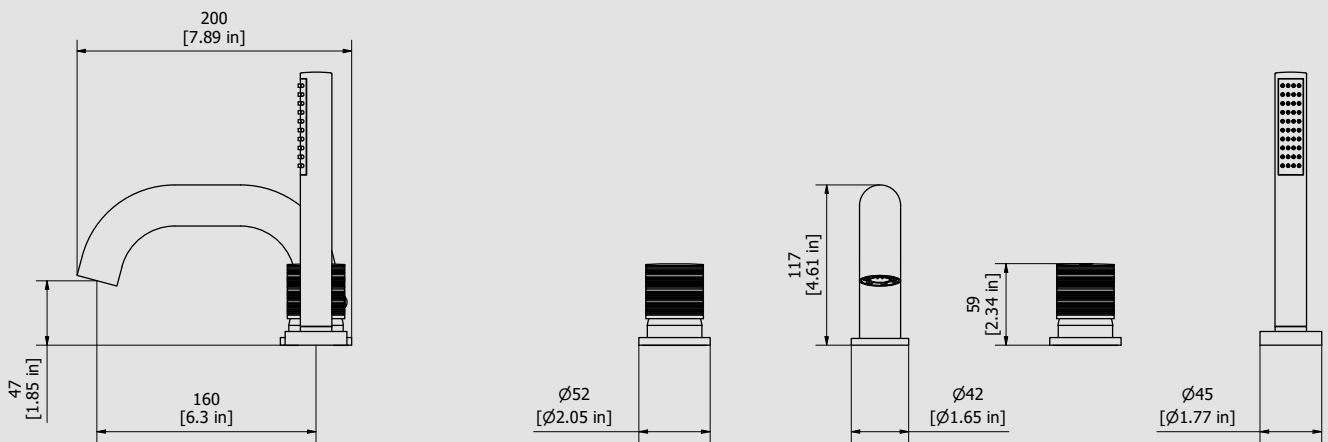
**4 kg**

Finishes

- **CC**  
CHROME
- **PL**  
PLATINUM
- **SS**  
BRUSHED  
NICKEL
- **ON**  
NATURAL  
BRASS
- **BO**  
MATT  
WHITE
- **NP**  
MATT  
BLACK
- **CF**  
BLACK  
CHROME
- **CS**  
BRUSHED  
BLACK  
CHROME
- **II**  
PALE  
GOLD
- **IS**  
BRUSHED  
PALE GOLD
- **RS**  
ROSE  
GOLD
- **SR**  
BRUSHED  
ROSE GOLD
- **OO**  
GOLD
- **OS**  
BRUSHED  
GOLD
- **RR**  
ANTIQUÉ  
COPPER
- **MB**  
MODERN  
BRONZE



Dimensions



Cartridge

**Ø35 ceramic cartridge**

Hoses

**Inox hoses G1/2" female 300 mms long**

Aerator

**M24x1**

Flow Rate (+/-10%)

1 BAR	2 BAR	3 BAR
9.3 l/m	13.2 l/m	16.2 l/m

Production

**Main body is a single hot stamped pieces**

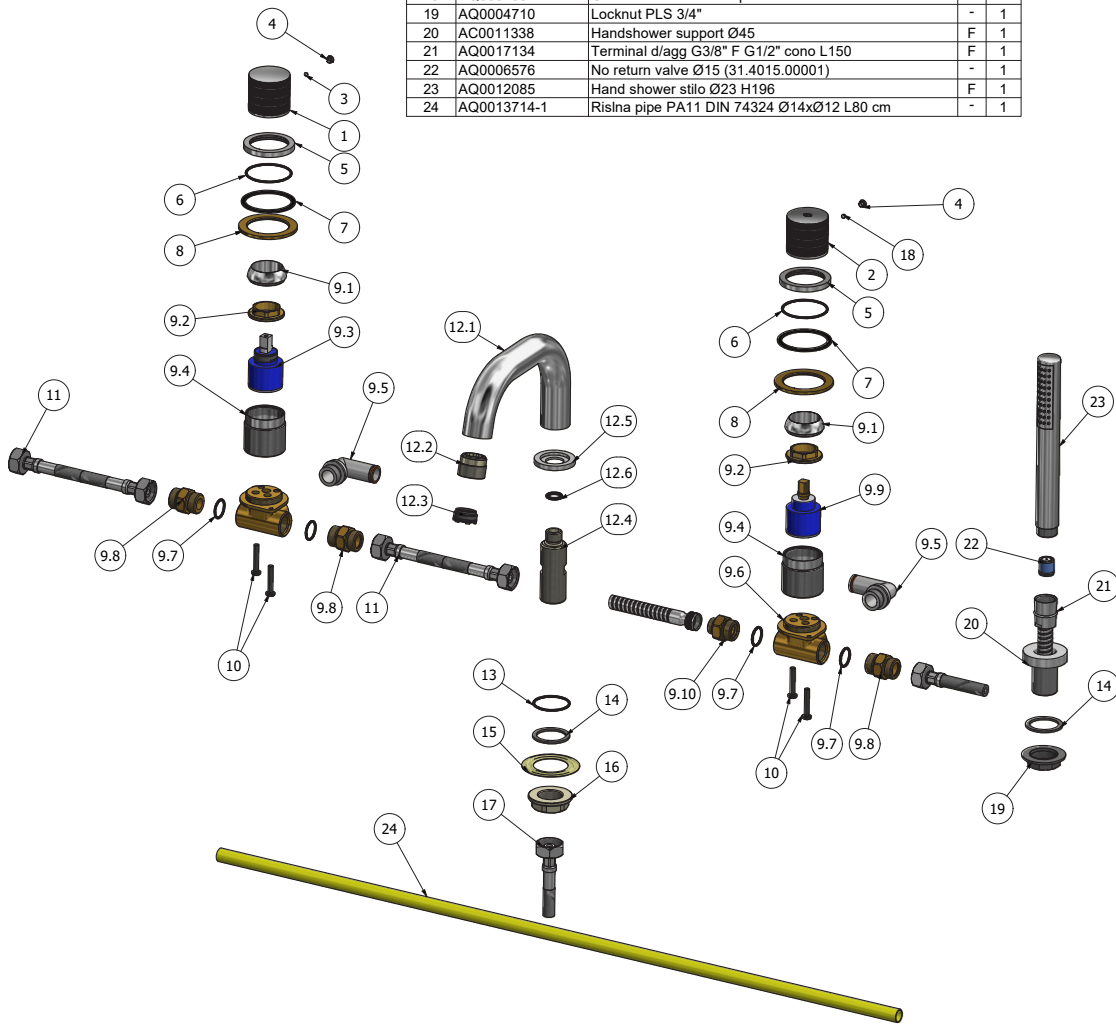
Material

**BRASS**  
According to CuZn42 (CW510L)  
Max Lead content: 0.2%



WE ARE IB

Parts list				
ITEMS	CODE	DESCRIPTION	FIN	QTA
1	AC0017941	Handle Ø42 H40 vinile	F	1
2	AC0017941-T1	Handle Ø42 H40 vinile	F	1
3	AQ0013221	Grubscrew M4x3 cone point	-	1
4	AQ0006650	Plug cover Ø7	F	2
5	AC0011660	Fixing ring Ø52 H5.5 M42x1.5	F	2
6	AQ0010584	OR 44.17x1.78 NBR 70 SH	-	2
7	AQ0011028	Flat gasket Ø55 Ø47 H2	-	2
8	AS0011661	Support ring Ø60 Ø42.2 H3	G	2
9	CPMT396CC-1	Preassembled 3 hole bath side	-	1
9.1	AQ0003630	Cartridge ring nut cover M37x1.5	F	2
9.2	AQ0001040	Cartridge ring nut M37x1.5 H9	G	2
9.3	AQ0004095	Ceramic cartridge Ø35 9x9 (K35A)	-	1
9.4	AC0011662	Ring M42x1.5 M37x1.5 Ø40 H40.7	F	2
9.5	AQ0013713	Connection piece L G1/2" Ø14 (2031019)	-	2
9.6	AQT010369	Recessed shower mixer body Ø35 DZR	G	2
9.7	AQ0004630	OR 17.16x1.78 NBR 70 SH	-	4
9.8	AS0010301	Reduction G1/2" M G1/2" M with valve seat	G	3
9.9	AQ0013143	Ceramic cartridge Ø35 Wout/D KDZ HTG	-	1
9.10	AS0011227	Connection piece G1/2" M G3/8" M with valve seat	G	1
10	AQ0009153	Inox screw M5x30 ISO 7045	-	4
11	AQ0006540	Flex inox G1/2" F G1/2" F L300	-	2
12	CP10958CC-1	Preassembled bath deck spout	-	1
12.1	AC0010958	Spout-out Ø30 L160	F	1
12.2	AN0010792	Seat for perlator M28x1 M24x1	N	1
12.3	AQ0010587	Perlator cahcè M24x1 antispash (40.9300.010)	-	1
12.4	AN0010971	Threaded fixing stem G3/4" G3/8" H76 with seat valve	N	1
12.5	AC0010955	Base Ø42 H5	F	1
12.6	AQ0001360	OR 11.91x2.62 NBR 70 SH	-	1
13	AQ0006497	OR 34.65x1.78 NBR 70 SH	-	1
14	AQ0009716	Rubber packing 38x30x2	-	2
15	AQ0000881	Inox flange Ø35.5x59	-	1
16	AN0009900	Flange 3/4" H.13	N	1
17	Terminale flex g3-4	Flessibile G1/2" F G3/4" F L400 DN 13	-	1
18	AQ0001082	Grubscrew M4x4 cone point	-	1
19	AQ0004710	Locknut PLS 3/4"	-	1
20	AC0011338	Handshower support Ø45	F	1
21	AQ0017134	Terminal d'agg G3/8" F G1/2" cono L150	F	1
22	AQ0006576	No return valve Ø15 (31.4015.00001)	-	1
23	AQ0012085	Hand shower stilo Ø23 H196	F	1
24	AQ0013714-1	Rislna pipe PA11 DIN 74324 Ø14xØ12 L80 cm	-	1





WE ARE IB

### **WARRANTY**

All IB Rubinetterie SpA products are warranted for 10 years from the date of purchase, for the following cases:

- Defects of casting, porosity and chrome plating.
- Operating defects caused by incorrect fabrication.

The warranty provides for repair or replacement of products with fabrication defects recognized by our technical office. There is no other type of compensation anche the merchandise must be returned FOB our warehouse. The warranty only cover surface defects (scartches, dings, etc.) on fitting that have not been installed and used, returned in its original packaging with all components. O-ring, gasket seals and components subject to wear proportional to use are warranted for 2 years.

#### **The warranty is void in the following cases:**

Error installing and putting the product into service.

Deterioration of finisched surfaces due to use of cleaning products containing acids or abrasive substances.

Deterioration of surface with finishes other than chrome plating. Their durability is, in fact, dependent on the user's care and gentleness of use.

Deterioration of the fitting due incorrect installation.

Improper repairs and maintenance performed without the company's prior authorization.

The warranty from IB Rubinetterie SpA is not renewable.

#### **Cleaning**

We recommended cleaning the finish surfaces with water and soap, using a soft cloth.

Do not use detergents that cointain hydrochloric acid or abrasive substances.