



# IB RUBINETTI

Collection

## WHYNOT?

Article

## WN127

Description

### Shower column

Box Dimensions

900 x 160 x 470 mm

Weight

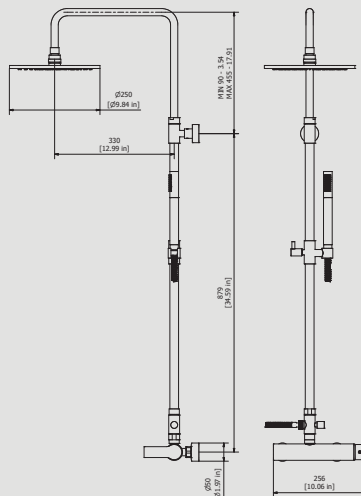
6.1 kg

Finishes

- **CC** CHROME
- **CF** BLACK CHROME
- **OO** GOLD
- **BB** ANTIQUE BRONZE
- **SS** BRUSHED NICKEL
- **CS** BRUSHED BLACK CHROME
- **BO** MATT WHITE
- **NP** MATT BLACK
- **IS** BRUSHED PALE GOLD
- **OS** BRUSHED GOLD
- **II** PALE GOLD
- **RR** ANTIQUE COPPER
- **ORS** ROSE GOLD
- **ON** NATURAL BRASS
- **SR** BRUSHED ROSE GOLD
- **PL** PLATINUM



Dimensions



Cartridge

Ø35 ceramic cartridge

Threaded fitting

Threaded fitting G1/2" male

Aerator

Flow Rate (+/-10%)

1 BAR  
10.5 l/min

2 BAR  
15.5 l/min

3 BAR  
19 l/min

Production

Main body is a single casted pieces

Material

**BRASS**  
According to CuZn35Pb2AL-B (CB752S)  
Max Lead content: 1.36%

IB RUBINETTERIE s.p.a  
via dei Pianotti 3/5  
25068 Sarezzo (BS) - Italy -

T. +39 030 802101  
F. +39 030 803097  
info@ibrubinetterie.it

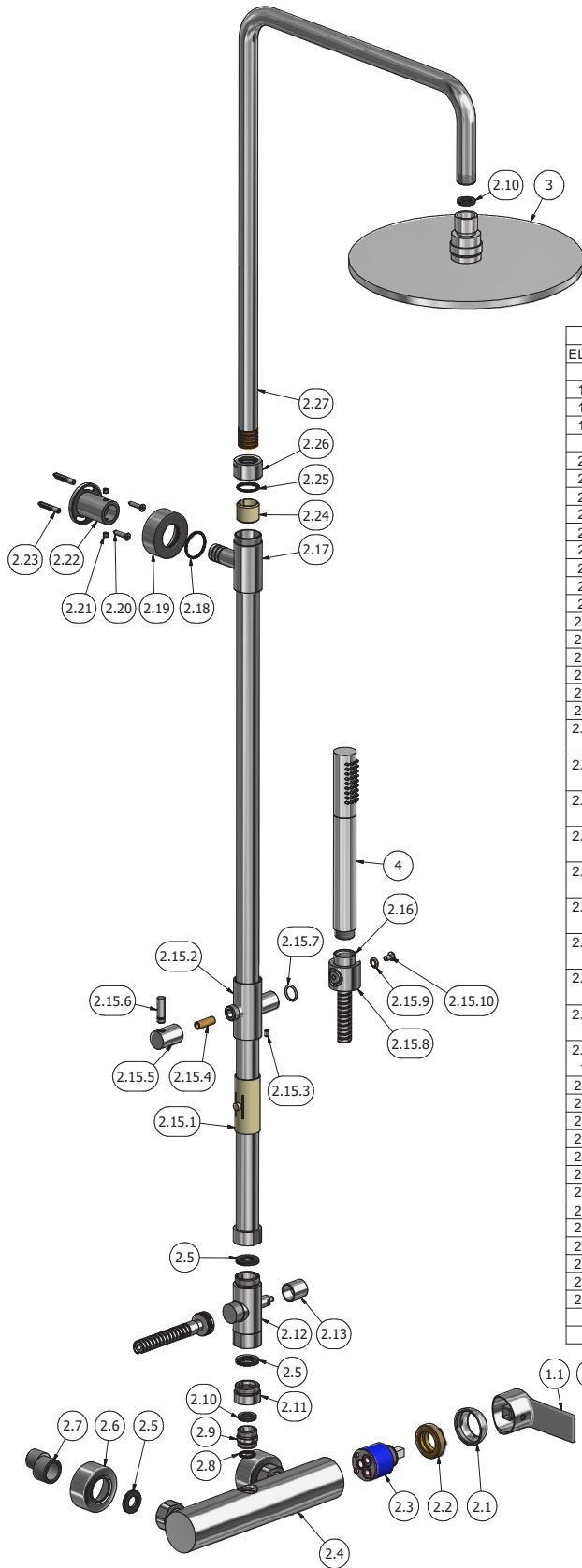
P.IVA 01785230986  
capitale sociale  
€420.000,00 i.v.

WWW.IBRUBINETTI.IT





# IB RUBINETTI



Parts list			
ELEM	CODE	DESCRIPTION	QT
1	AQ0015945	Handle Ø42 H30 L103	1
1.1		Handle Ø42 lever 30x83 square 9x9	1
1.2		Grubscrew M5x8 cone point	1
1.3		Plug cover Ø7	1
2	AQ0015902	Preassembled shower column	1
2.1		Cover Ø41 H14	1
2.2		Nut M37x1.5 H 12.5	1
2.3		Ceramic cartridge Ø35 9x9 (K35A)	1
2.4		Body Ø45,5 H222	1
2.5		Gasket 24.5x3x3	4
2.6		Rosette Ø60 H22	2
2.7		Eccentric G3/4" G1/2"	2
2.8		OR 13x2.2 NBR 70 SH	1
2.9		Insert G1/2" H19 Ø22	1
2.10		Gasket 19x10x3	2
2.11		Reduction G1/2" F G3/4" M H18	1
2.12		Diverter	1
2.13		Knob for diverter Ø19 H20	1
2.14		Pipe Ø24	1
2.15		Slider assembly	1
2.15.1		clutch sheath	1
1			
2.15.1		Body support	1
2			
2.15.1		Grubscrew M4x6 flat point	1
3			
2.15.1		Pin	1
4			
2.15.1		Handle Ø20 H29.5	1
5			
2.15.1		Lever Ø8 H25	1
6			
2.15.1		Friction ring	1
7			
2.15.1		Support Ø33 H27	1
8			
2.15.1		Friction washer	1
9			
2.15.1		Screw M5x12	1
10			
2.16		Hose G1/2" F G1/2" cone L150	1
2.17		Support body	1
2.18		OR 26x2 NBR 70 SH	1
2.19		Rosette	1
2.20		Self-tapping screw	2
2.21		Grubscrew M5x4 flat point	2
2.22		wall support	1
2.23		Rawplug	2
2.24		Fiction ring	1
2.25		OR 20x2 NBR 70 SH	1
2.26		Ring nut	1
2.27		Pipe Ø20 G"1/2 M.	1
2.30		Hose G1/2" F G1/2" cone L150	1
3	AQ0010701	Shower head round Ø250	1
4	AQ0013557	Onair hand shower	1

**WARRANTY**

All IB Rubinetterie SpA products are warranted for 10 years from the date of purchase, for the following cases:

- Defects of casting, porosity and chrome plating.
- Operating defects caused by incorrect fabrication.

The warranty provides for repair or replacement of products with fabrication defects recognized by our technical office. There is no other type of compensation anche the merchandise must be returned FOB our warehouse. The warranty only cover surface defects (scatches, dings, etc.) on fitting that have not been installed and used, returned in its original packaging with all components. O-ring, gasket seals and components subject to wear proportional to use are warranted for 2 years.

**The warranty is void in the following cases:**

Error installing and putting the product into service.

Deterioration of finisched surfaces due to use of cleaning products containing acids or abrasive substances. Deterioration of surface with finishes other than chrome plating. Their durability is, in fact, dependent on the user's care and gentleness of use.

Deterioration of the fitting due incorrect installation.

Improper repairs and maintenance performed without the company's prior authorization.

The warranty from IB Rubinetterie SpA is not renewable.

**Cleaning**

We recommended cleaning the finish surfaces with water and soap, using a soft cloth.

Do not use detergents that cointain hydrochloric acid or abrasive substances.

