



WE ARE IB

Collection

WHYNOT?

Article

WN305

Description

Exposed parts for manual wall mixer

Built-in body to be purchased separately INC300

Box Dimensions

90 x 230 x 90 mm

Weight

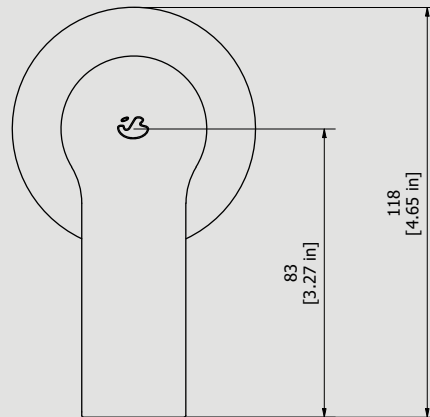
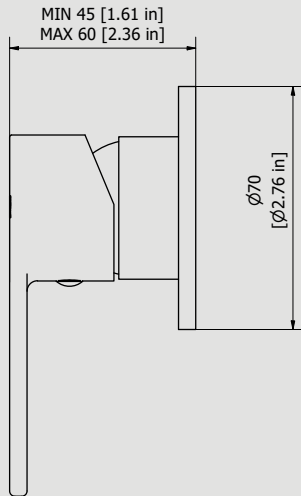
0.6 kg

Finishes

- **CC**
CHROME
- **CF**
BLACK CHROME
- **OO**
GOLD
- **BB**
ANTIQUE BRONZE
- **SS**
BRUSHED NICKEL
- **CS**
BRUSHED BLACK CHROME
- **BO**
MATT WHITE
- **NP**
MATT BLACK
- **IS**
BRUSHED PALE GOLD
- **OS**
BRUSHED GOLD
- **II**
PALE GOLD
- **RR**
ANTIQUE COPPER
- **ORS**
ROSE GOLD
- **ON**
NATURAL BRASS
- **SR**
BRUSHED ROSE GOLD
- **PL**
PLATINUM



Dimensions



Cartridge

Ø35 ceramic cartridge

Threaded fitting

-

Aerator

-

Flow Rate (+/-10%)

1 BAR
11.5 l/min

2 BAR
16.3 l/min

3 BAR
20 l/min

Production

Main body is a machined from a solid pieces

Material

BRASS
According to CuZn35Pb3 (CW614N)
Max Lead content: 2.5%

IB RUBINETTERIE s.p.a
via dei Pianotti 3/5
25068 Sarezzo (BS) - Italy -

T. +39 030 802101
F. +39 030 803097
info@weareib.it

P.IVA 01785230986
capitale sociale
€420.000,00 i.v.

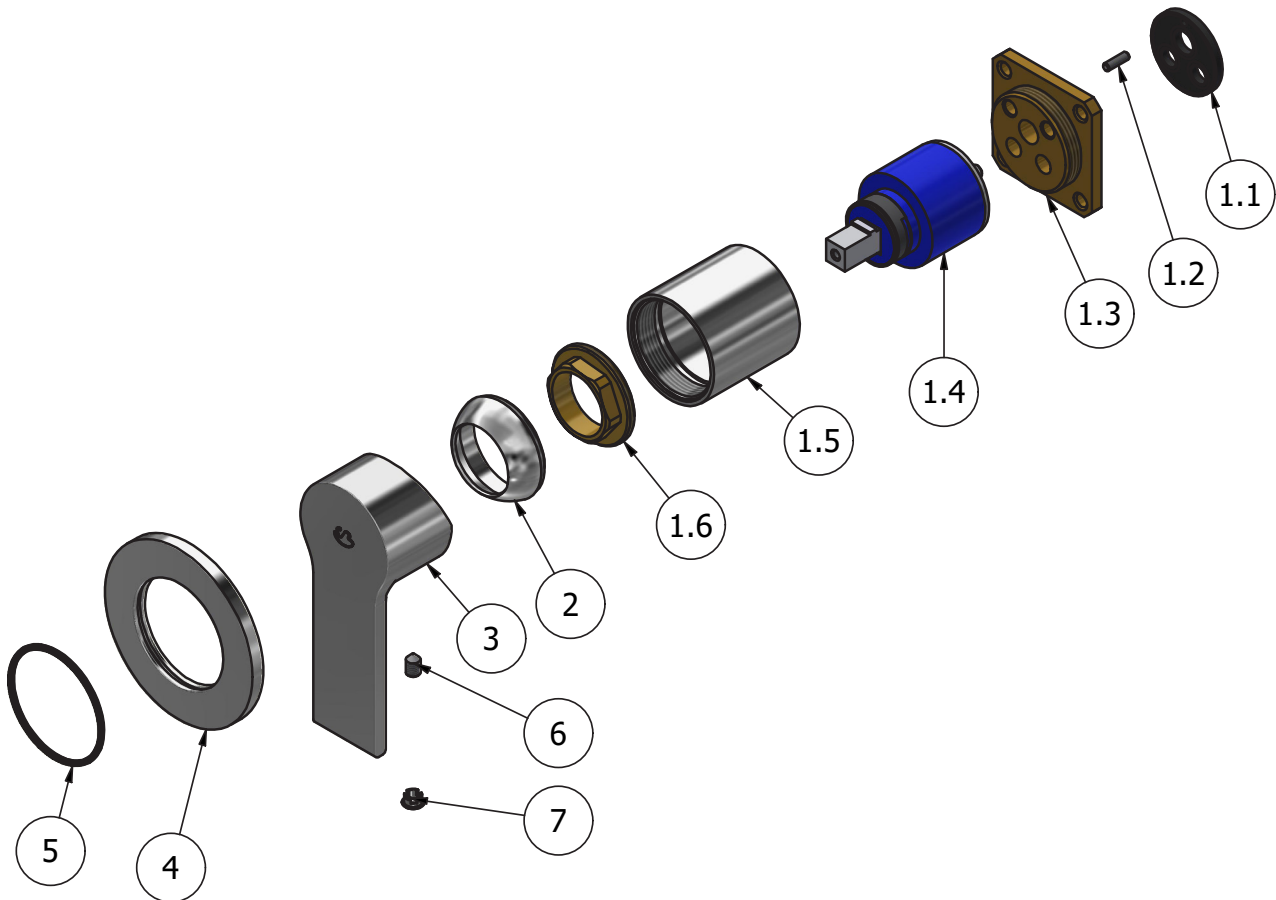
www.weareib.it





WE ARE **IB**

Parts list				
ITEMS	CODE	DESCRIPTION	FIN	QTÀ
1	CPIN206CC-19	Mixer 47x47 x recessed	-	1
1.1	AQ0015684	Gasket Ø31 H3.5 Ø7 Ø7.5	-	1
1.2	AQ0015357	Grubscrew M3x10 flat point	-	1
1.3	AS0013040	Insert 47x47 H11 M37x1.5	G	1
1.4	AQ0004095	Ceramic cartridge Ø35 9x9 (K35A)	-	1
1.5	AC0010445	Recessed ring Ø41 M37x1.5 H40.7	F	1
1.6	AQ0001040	Cartridge ring nut M37x1.5 H9	G	1
2	AQ0012068	Chromed cover nut Ø38,2 M37x1,5	F	1
3	AQ0015945-TI	Handle Ø42 H30 L103	F	1
4	AC0018063	Rosette Ø70 Ø41.5 H5	F	1
5	AQ0001440	OR 41x1.78 NBR 70 SH	-	1
6	AQ0010869	Grubscrew M5x8 cone point	-	1
7	AQ0006650	Plug cover Ø7	F	1





WE ARE IB

WARRANTY

All IB Rubinetterie SpA products are warranted for 10 years from the date of purchase, for the following cases:

- Defects of casting, porosity and chrome plating.
- Operating defects caused by incorrect fabrication.

The warranty provides for repair or replacement of products with fabrication defects recognized by our technical office. There is no other type of compensation anche the merchandise must be returned FOB our warehouse. The warranty only cover surface defects (scartches, dings, etc.) on fitting that have not been installed and used, returned in its original packaging with all components. O-ring, gasket seals and components subject to wear proportional to use are warranted for 2 years.

The warranty is void in the following cases:

Error installing and putting the product into service.

Deterioration of finished surfaces due to use of cleaning products containing acids or abrasive substances. Deterioration of surface with finishes other than chrome plating. Their durability is, in fact, dependent on the user's care and gentleness of use.

Deterioration of the fitting due incorrect installation.

Improper repairs and maintenance performed without the company's prior authorization.

The warranty from IB Rubinetterie SpA is not renewable.

Cleaning

We recommended cleaning the finish surfaces with water and soap, using a soft cloth.

Do not use detergents that cointain hydrochloric acid or abrasive substances.