

Collection

WOW

Article

W0396

Description

Five holes deck mounted bath filler with shower kit

Box Dimensions

420x250x140 mm

Weight

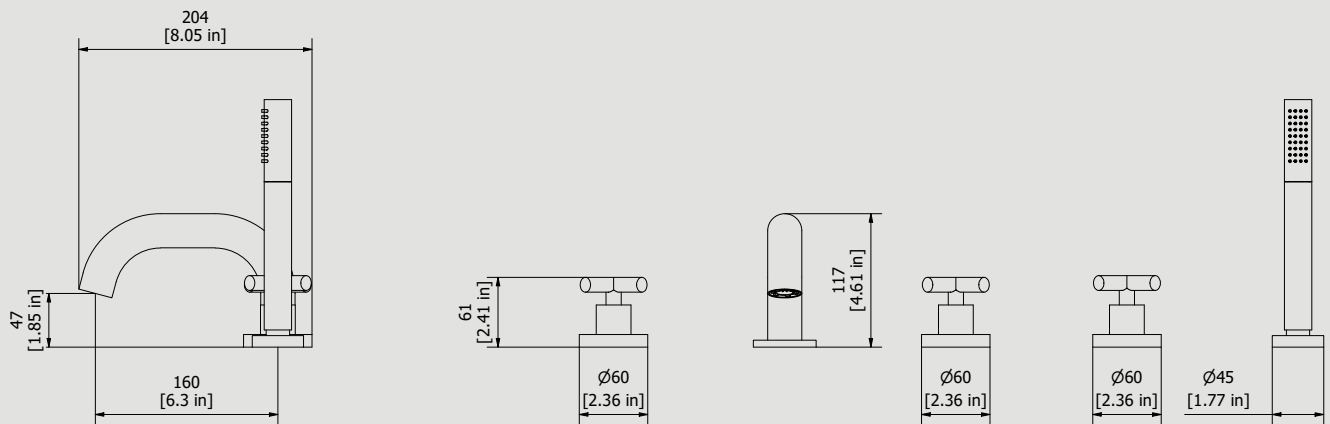
4 kg

Finishes

- **CC**
CHROME
- **CF**
BLACK CHROME
- **BG**
GLOSSY WHITE
- **NG**
GLOSSY BLACK
- **SS**
BRUSHED NICKEL
- **CS**
BRUSHED BLACK CHROME
- **BO**
MATT WHITE
- **NP**
MATT BLACK
- **OO**
GOLD
- **MB**
MODERN BRONZE
- **II**
PALE GOLD
- **RR**
ANTIQUE COPPER
- **ORS**
ROSE GOLD
- **ON**
NATURAL BRASS
- **IS**
BRUSHED PALE GOLD
- **OS**
BRUSHED GOLD
- **SR**
BRUSHED ROSE GOLD
- **PL**
PLATINUM



Dimensions



Cartridge

G1/2" ceramic cartridge

Hoses

Inox hoses G3/8" female 400 mms long

Aerator

M24x1

Flow Rate (+/-10%)

1 BAR	2 BAR	3 BAR
9 l/min	13 l/min	16 l/min

Production

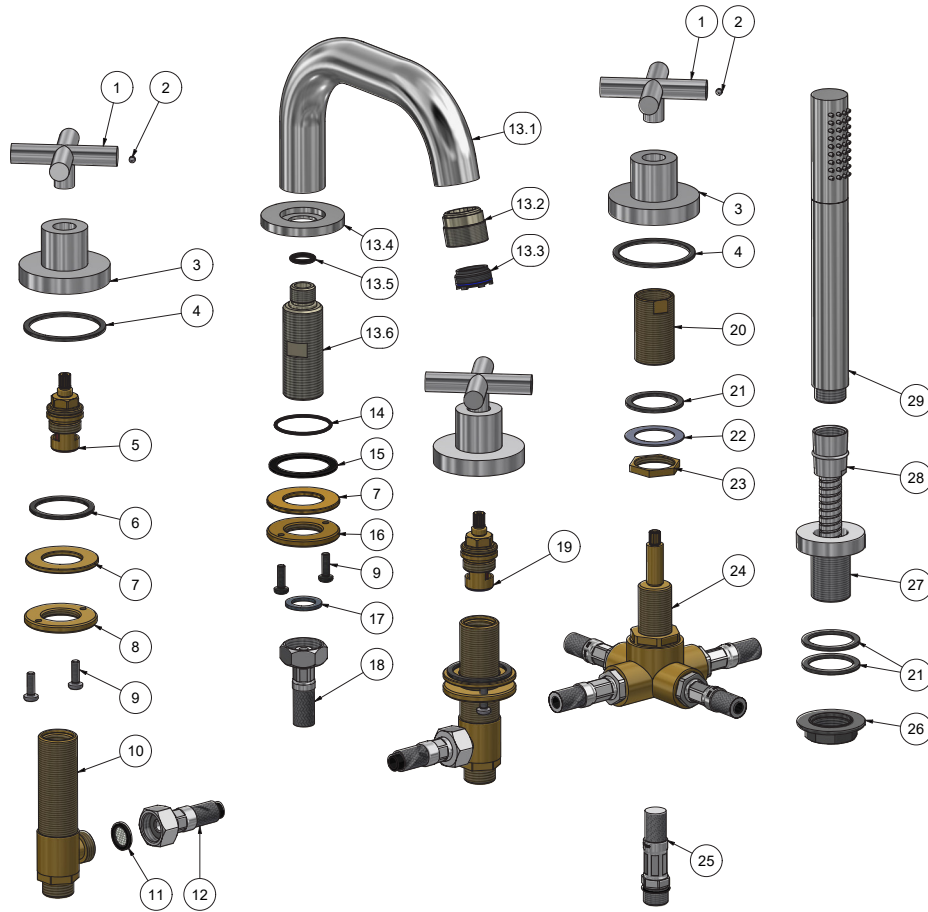
Main body is a single casted pieces

Material

BRASS
According to CuZn35Pb2Al-B (CB752S)
Max Lead content: 1.36%



WE ARE IB



Elenco parti			
ELEM.	CODICE	DESCRIZIONE	QTÀ
1	AQ0010004	Maniglia croce tonda	3
2	AQ0001082	Grano inox M4x4 p.c.	3
3	AC0009965	Campana Ø60 H37 W26x19	3
4	AQ0001610	Guarnizione piana Ø54 Ø47 H2	3
5	AQ0002135	Vitone ceramico 90° sinistra HOT	1
6	AQ0008012	Guarnizione piana 42.5x35.5x2	2
7	AS0010697	Rondella Ø48x26.5x3	3
8	AS0010698	Ghiera W26x19F M5	2
9	AQ0010358	Vite inox M5x16 ISO 7045	6
10	AS0002250	Piantana W26x19	2
11	AQ0010360	Guarnizione con filtro G1/2"	2
12	AQ0010652	Flex inox G1/2" M G1/2" F L600	2
13	CP10958CC-2	Premontato bocca d'appoggio vasca	1
13.1	AC0010958	Bocca saldata Ø30 L160	1
13.2	AN0010792	Gabbietta areatore M28x1 M24x1	1
13.3	AQ0010587	Areatore cachè M24x1 rompigitto (40.9300.010)	1
13.4	AC0018175	Basetta Ø55 H6 liscia	1
13.5	AQ0001360	OR 11.91x2.62 NBR 70 SH	1
13.6	AN0010971	Gambo fissaggio G3/4" G3/8" H76 sede valvola	1
14	AQ0006497	OR 34.65x1.78 NBR 70 SH	1
15	AQ0008013	Guarnizione piana 45x35x2	1
16	AS0012647	Ghiera G3/4" fori M5	1
17	AQ0010009	Guarnizione in gomma G3/4" 24x16x3	1
18	AQ0010654	Flex inox G3/4" F G1/2" M L600	1
19	AQ0003930	Vitone ceramico 90° destro	1
20	AS0010823	Bussola vitone W26x19 H45 W22x19	1
21	AQ0009716	Guarnizione piana 38x30x2	3
22	AQ0001650	Rondella acciaio 39x26.5x1	1
23	AS0002010	Dado W26x19 F H4.5	1
24	AQ0009455	Deviatore 4 vie asta media	1
25	AQ0010653	Flex inox G1/2" M G3/8" M L600	1
26	AQ0004710	Dado flangiato G3/4"	1
27	AC0011338	Supporto doccino Ø45	1
28	AQ0017134	Flessibile d'agg G3/8" F G1/2" cono L150	1
29	AQ0013557	Doccia Onair	1





WE ARE IB

WARRANTY

All IB Rubinetterie SpA products are warranted for 10 years from the date of purchase, for the following cases:

- Defects of casting, porosity and chrome plating.
- Operating defects caused by incorrect fabrication.

The warranty provides for repair or replacement of products with fabrication defects recognized by our technical office. There is no other type of compensation unless the merchandise must be returned FOB our warehouse. The warranty only covers surface defects (scratches, dings, etc.) on fittings that have not been installed and used, returned in its original packaging with all components. O-ring, gasket seals and components subject to wear proportional to use are warranted for 2 years.

The warranty is void in the following cases:

Error installing and putting the product into service.

Deterioration of finished surfaces due to use of cleaning products containing acids or abrasive substances. Deterioration of surface with finishes other than chrome plating. Their durability is, in fact, dependent on the user's care and gentleness of use.

Deterioration of the fitting due to incorrect installation.

Improper repairs and maintenance performed without the company's prior authorization.

The warranty from IB Rubinetterie SpA is not renewable.

Cleaning

We recommend cleaning the finish surfaces with water and soap, using a soft cloth.

Do not use detergents that contain hydrochloric acid or abrasive substances.