



WE ARE IB

Collection

## YES PLEASE!

Article

## YP200

Description

**Monohole washbasin mixer**



Box Dimensions

**340x180x70 mm**

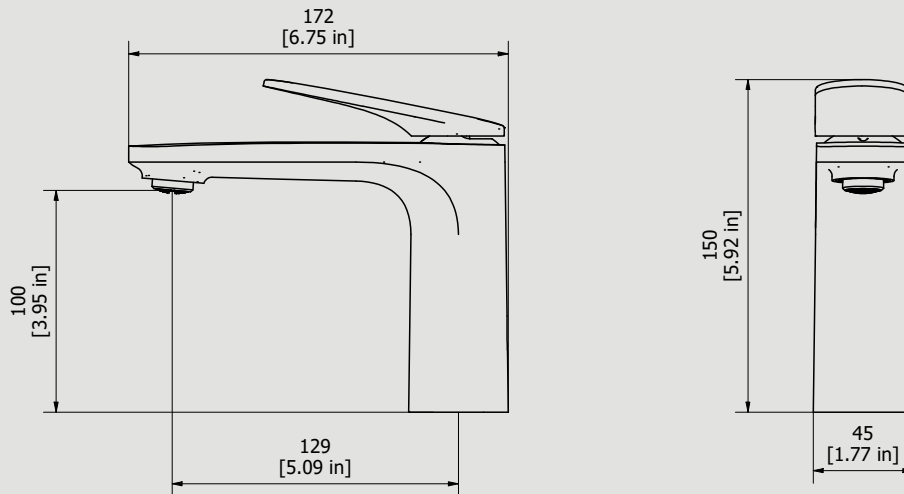
Weight

**1.9 kg**

Finishes

- CC** CHROME
- CF** BLACK CHROME
- OO** GOLD
- BB** ANTIQUE BRONZE
- SS** BRUSHED NICKEL
- CS** BRUSHED BLACK CHROME
- BO** MATT WHITE
- NP** MATT BLACK
- IS** BRUSHED PALE GOLD
- OS** BRUSHED GOLD
- II** PALE GOLD
- RR** ANTIQUE COPPER
- ORS** ROSE GOLD
- ON** NATURAL BRASS
- SR** BRUSHED ROSE GOLD
- PL** PLATINUM

Dimensions



Cartridge

**Ø26 ceramic cartridge**

Hoses

**Inox hose M10x1 G3/8" F L350**

Aerator

**M24x1**

Flow Rate (+/-10%)

<b>1 BAR</b>	<b>2 BAR</b>	<b>3 BAR</b>
<b>4.3 l/min</b>	<b>6.3 l/min</b>	<b>7.7 l/min</b>

Production

**Main body is a single casted pieces**

Material

**BRASS**  
According to CuZn35Pb2AL-B (CB752S)  
Max Lead content: 1.36%

IB RUBINETTERIE s.p.a  
via dei Pianotti 3/5  
25068 Sarezzo (BS) - Italy -

T. +39 030 802101  
F. +39 030 803097  
info@weareib.it

P.IVA 01785230986  
capitale sociale  
€420.000,00 i.v.

[www.weareib.it](http://www.weareib.it)





WE ARE IB

Parts list			
ITEMS	CODE	DESCRIPTION	QTÀ
1	AQ0017610	Handle 42 L111	1
1.1	AQ0017610_1	Handle 42 L111	1
1.2	AQ0017610_2	Grubscrew M5x5 cone point	1
2	AQ0017606	Washbasin body	1
2.1	AQ0017606_1	Hole cover	1
2.2	AQ0017606_2	Nut cover Ø35.5 Ø37 H14	1
2.3	AQ0017606_3	OR 32x2	1
2.4	AQ0017606_4	Nut H8	1
2.5	AQ0017606_5	Rod's reduction	1
2.6	AQ0017606_6	Ceramic cartridge Ø26	1
2.7	AQ0017606_7	Mixer body	1
2.8	AQ0017606_8	Perlatore	1
2.9	AQ0017606_9	OR 37x2.5	1
2.10	AQ0017606_10	Inox hose M10x1 G3/8" F 450	2
2.11	AQ0017606_11	Threaded rod	1
2.12	AQ0017606_12	Flat gasket	1
2.13	AQ0017606_13	Fixing flange	1
2.14	AQ0017606_14	Nut	1
3	AQ0009837	Simple rapid waste 1"1/4	1





WE ARE IB

### **WARRANTY**

All IB Rubinetterie SpA products are warranted for 10 years from the date of purchase, for the following cases:

- Defects of casting, porosity and chrome plating.
- Operating defects caused by incorrect fabrication.

The warranty provides for repair or replacement of products with fabrication defects recognized by our technical office. There is no other type of compensation anche the merchandise must be returned FOB our warehouse. The warranty only cover surface defects (scartches, dings, etc.) on fitting that have not been installed and used, returned in its original packaging with all components. O-ring, gasket seals and components subject to wear proportional to use are warranted for 2 years.

#### **The warranty is void in the following cases:**

Error installing and putting the product into service.

Deterioration of finished surfaces due to use of cleaning products containing acids or abrasive substances.

Deterioration of surface with finishes other than chrome plating. Their durability is, in fact, dependent on the user's care and gentleness of use.

Deterioration of the fitting due incorrect installation.

Improper repairs and maintenance performed without the company's prior authorization.

The warranty from IB Rubinetterie SpA is not renewable.

#### **Cleaning**

We recommanded cleaning the finish surfaces with water and soap, using a soft cloth.

Do not use detergents that cointain hydrochloric acid or abrasive substances.