



ISTRUZIONI DI MONTAGGIO

IT

FITTING INSTRUCTIONS

EN

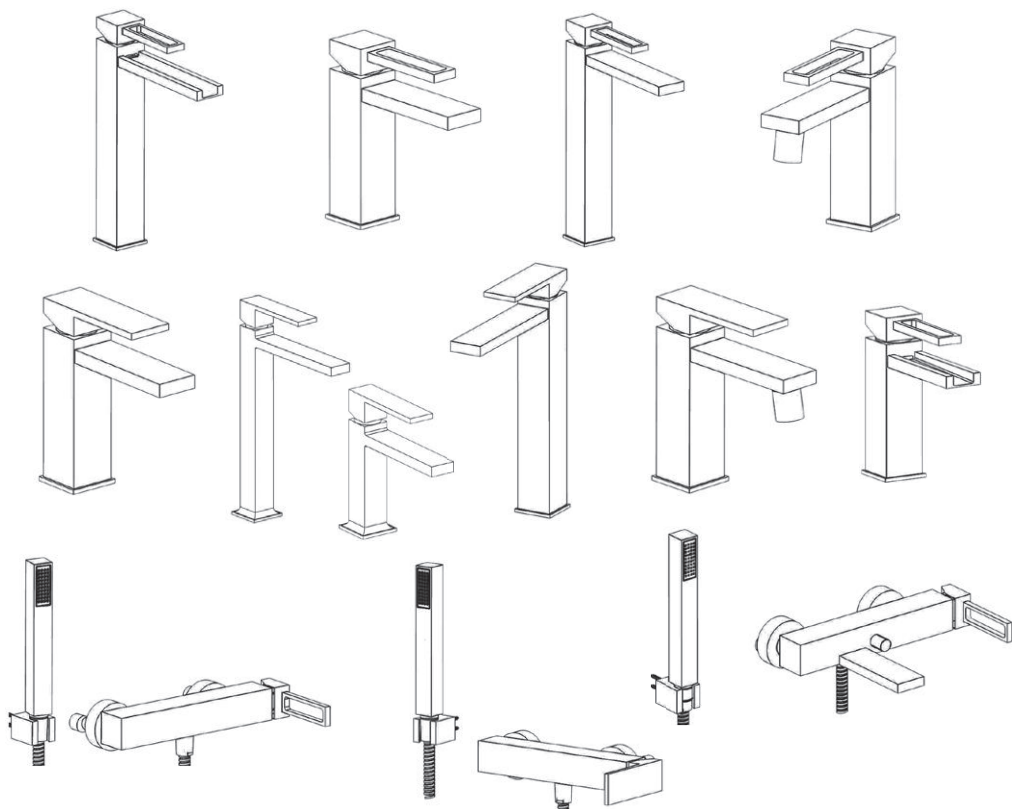
INSTRUCTIONS DE MONTAGE

FR

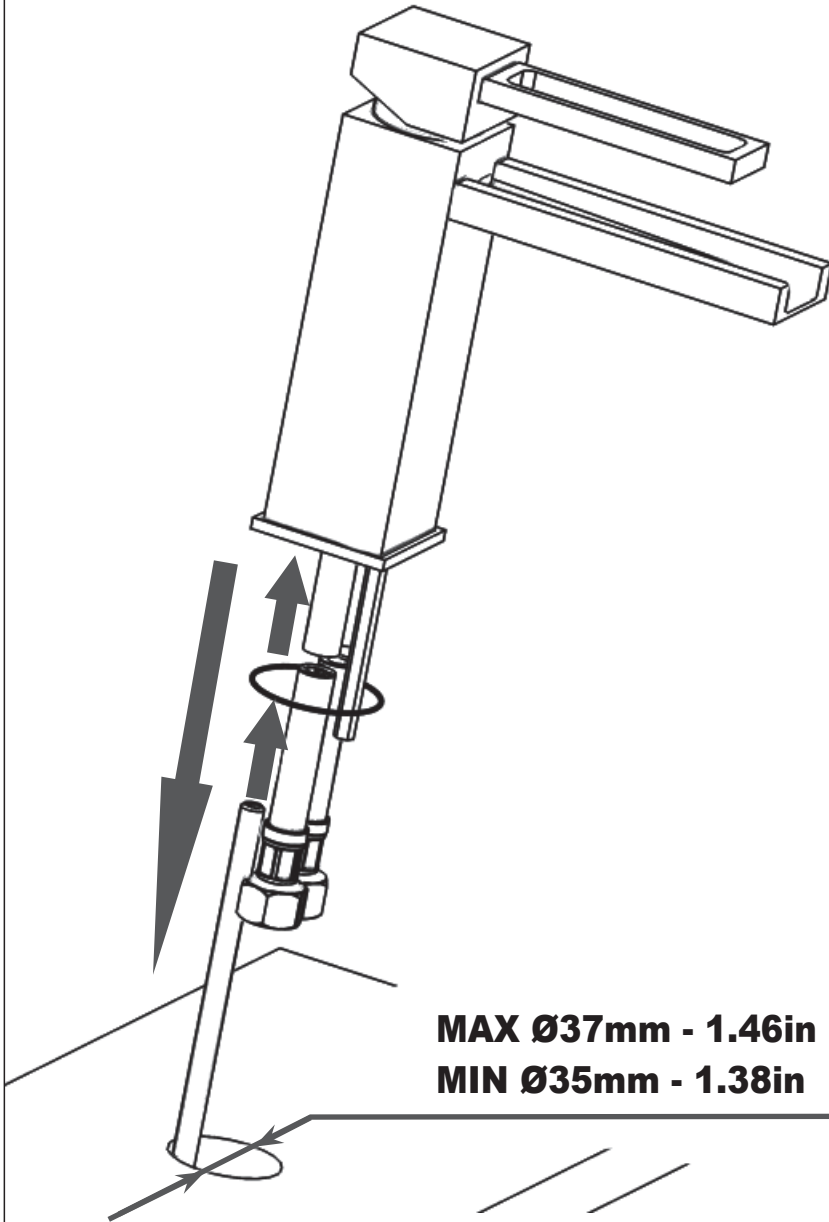
إرشادات خاصة في تركيب

AR

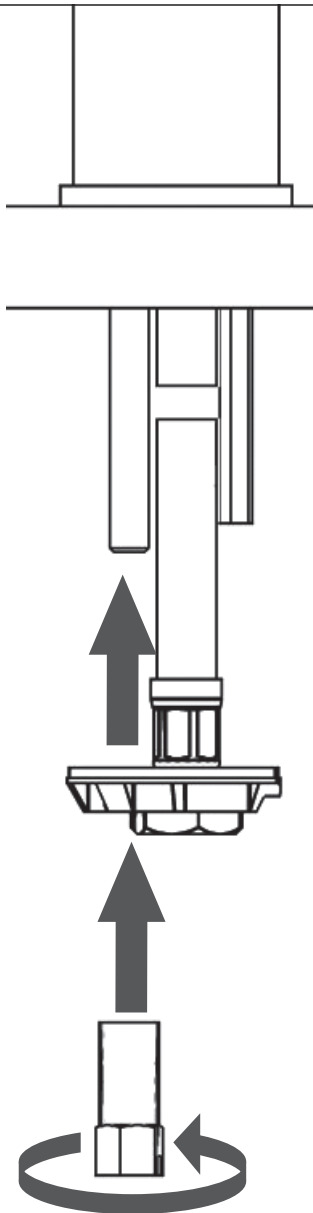
Dr. Jekyll and Mr. Hyde Rubacuori Bark



Step 01



Step 02



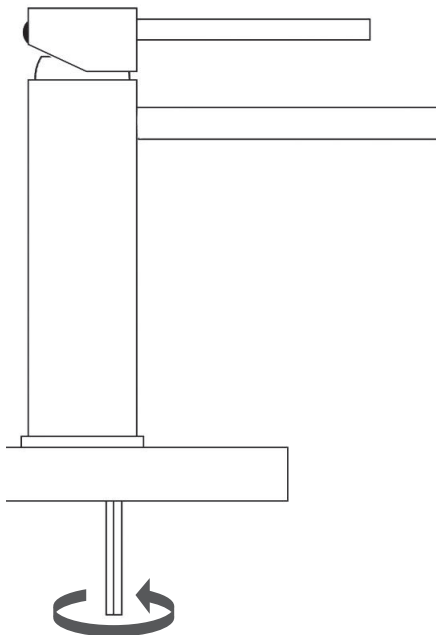
Step 03

Avvitare per diminuire la portata.

Tighten to reduce the flow rate.

Visser pour réduire le débit.

الشد للتقليل من كم التدفق



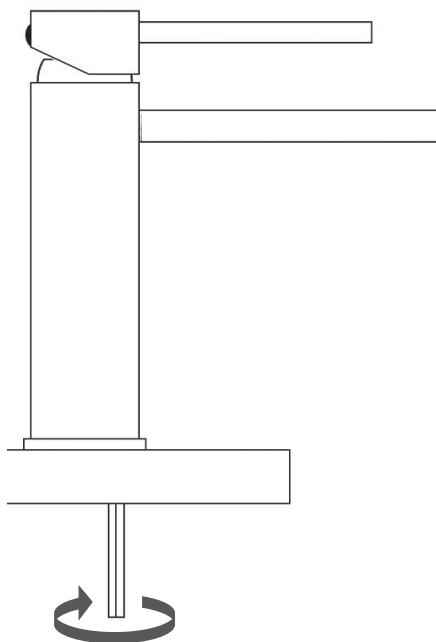
Step 04

Svitare per aumentare la portata.

Loosen to increase the flow rate.

Dévisser pour augmenter le débit.

الفك لزيادة كم التدفق



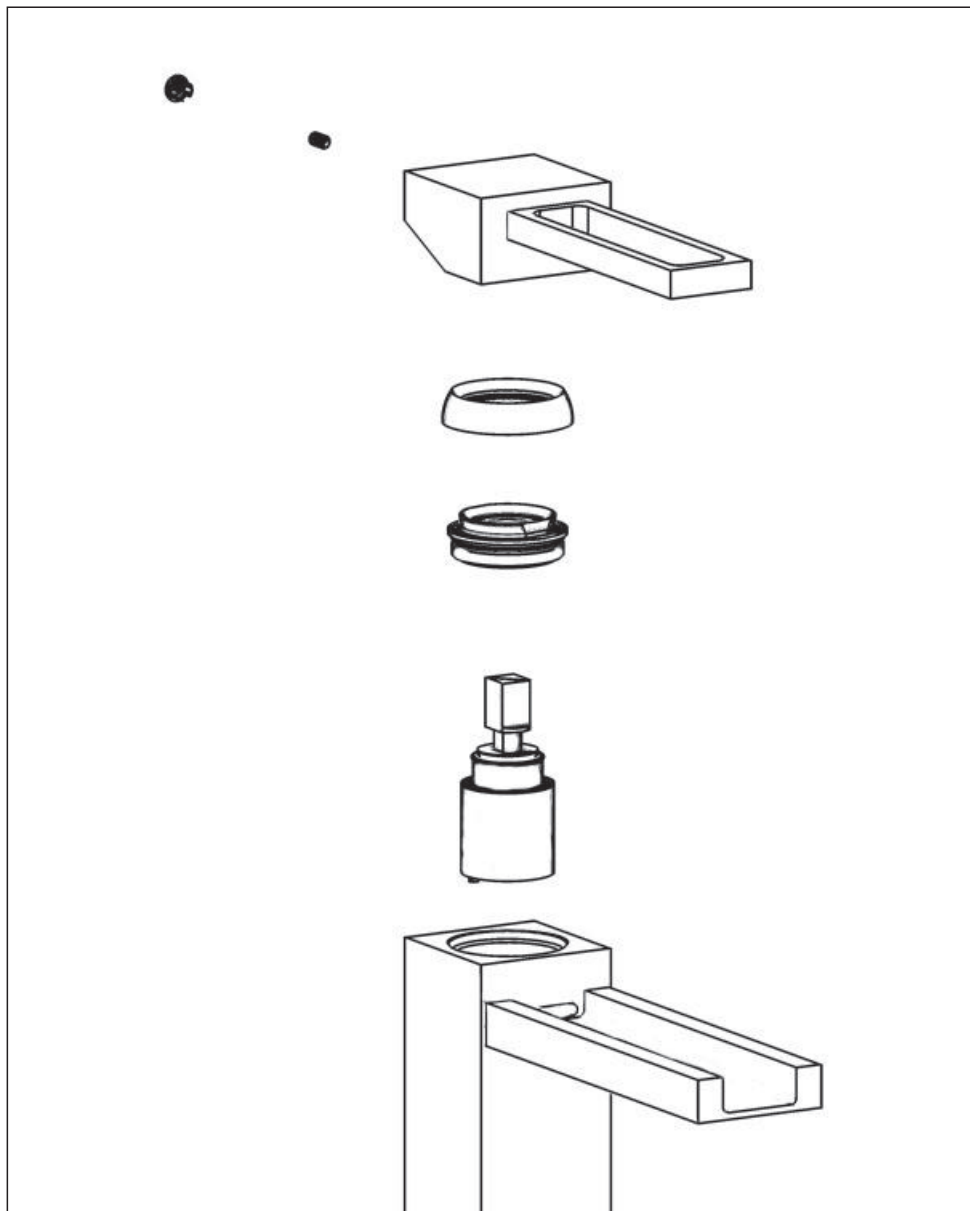
DJ & MH RU BK 200-202 + DJ RU BK 220 + RU 201-203-223

Smontaggio cartuccia

Cartridge removal

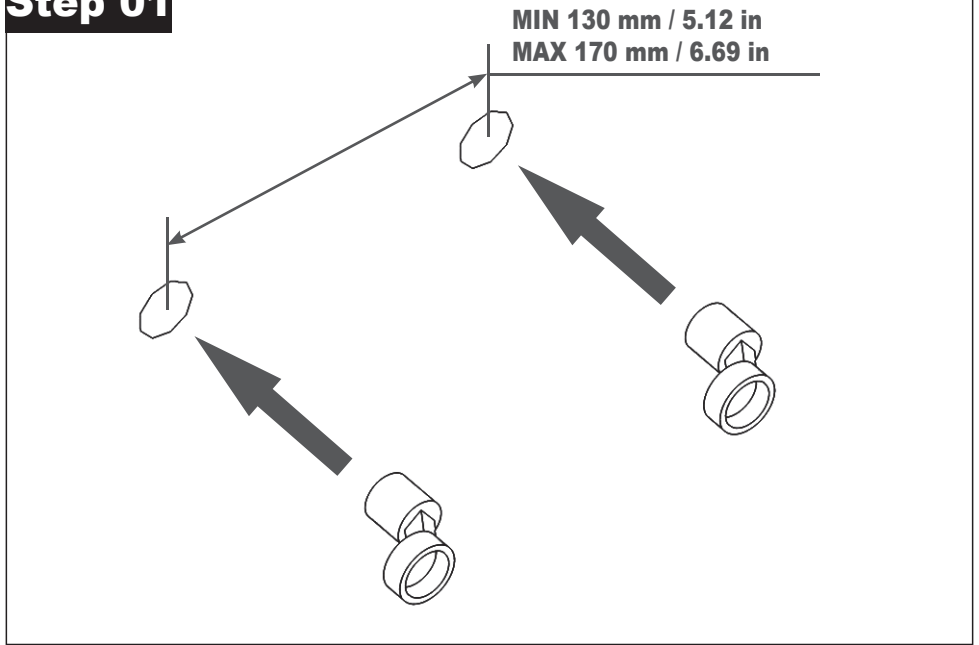
Démontage de la cartouche

فك الخرطوشة

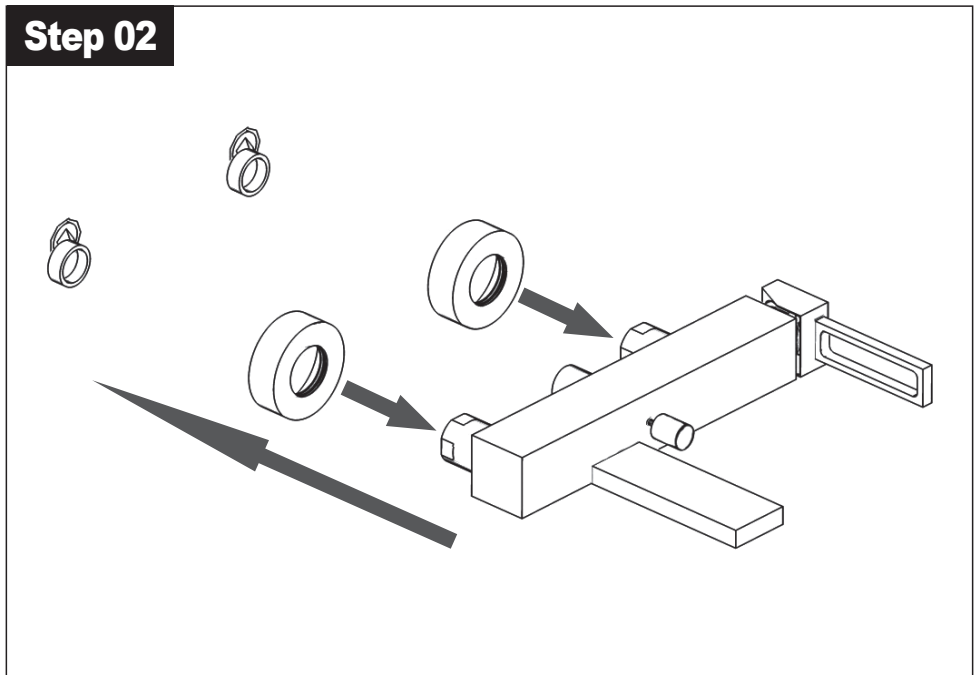


DJ RU BK 250 - 350

Step 01

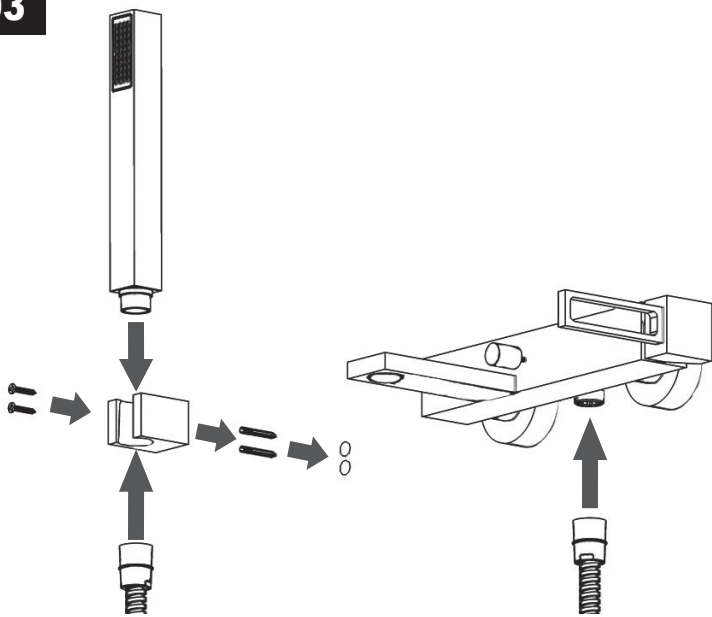


Step 02



DJ RU BK 250 - 350

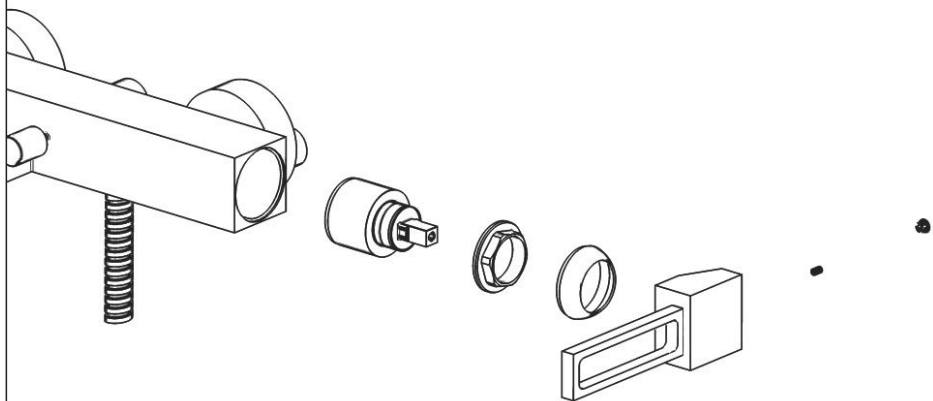
Step 03



DJ RU BK 250 - 350

Sostituzione cartuccia / *Cartridge replacement*

Remplacement de la cartouche / تغيير الخرطوشة



IMPORTANT

Pressure & Temperature Requirements.

- * Hot and cold water inlet pressures should be equal.
- * Inlet pressure range: 150-1000 kPa
- * New Regulation: -500 kPa maximum operating pressure at any outlet within a building. (Ref. AS/NZS 3500.1-2003, Clause 3.3.4)
- * Maximum hot water temperature: 80°C.



italian design culture

iB Rubinetterie S.p.A.

Via dei Pianotti 3/5
25068 SAREZZO (BS) Italy
Iscr. Reg. Impr. BS 01785230986
R.E.A. BS 352087
P.IVA IT01785230986
Capitale Sociale € 420.000,00 i.v.
phone +39 030 802101
fax +39 030 803097
info@ibrubinetterie.it
www.ibrubinetterie.it