



WE ARE IB

Collection

## TAAAC

Article

## AA206

Description

**Wall mounted wahbasin mixer**

**Built-in body to be purchased separately INC206**

Box Dimensions

**265x260x70 mm**

Weight

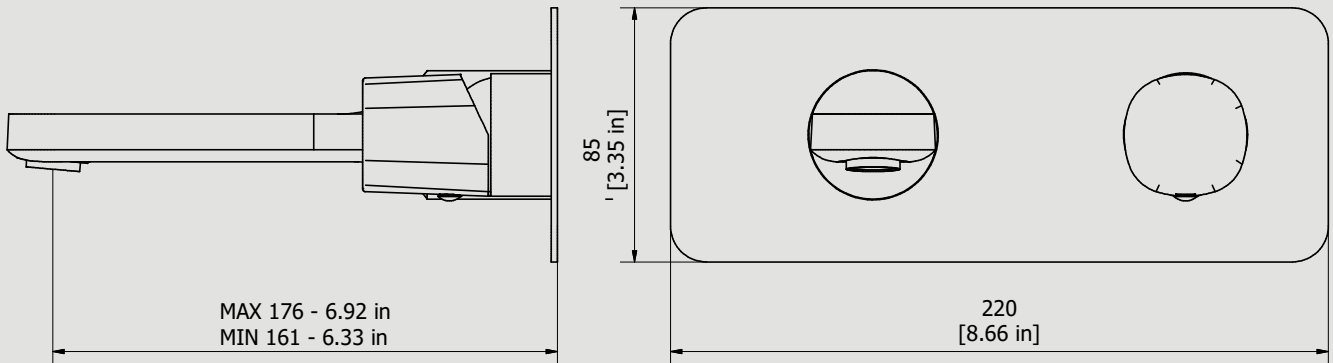
**1.9 kg**



Finishes

- **CC** CHROME
- **CF** BLACK CHROME
- **OO** GOLD
- **BB** ANTIQUE BRONZE
- **SS** BRUSHED NICKEL
- **CS** BRUSHED BLACK CHROME
- **BO** MATT WHITE
- **NP** MATT BLACK
- **IS** BRUSHED PALE GOLD
- **OS** BRUSHED GOLD
- **II** PALE GOLD
- **RR** ANTIQUE COPPER
- **ORS** ROSE GOLD
- **ON** NATURAL BRASS
- **SR** BRUSHED ROSE GOLD
- **PL** PLATINUM

Dimensions



Cartridge

**Ø35 ceramic cartridge**

Threaded fitting

**Treaded fitting G1/2" female**

Aerator

**M24x1**

Flow Rate (+/-10%)

<b>1 BAR</b>	<b>2 BAR</b>	<b>3 BAR</b>
<b>4.5 l/min</b>	<b>5 l/min</b>	<b>5 l/min</b>

Production

**Main body is a single casted pieces**

Material

**BRASS**  
According to CuZn35Pb2AL-B (CB752S)  
Max Lead content: 1.36%

IB RUBINETTERIE s.p.a  
via dei Pianotti 3/5  
25068 Sarezzo (BS) - Italy -

T. +39 030 802101  
F. +39 030 803097  
info@weareib.it

P.IVA 01785230986  
capitale sociale  
€420.000,00 i.v.

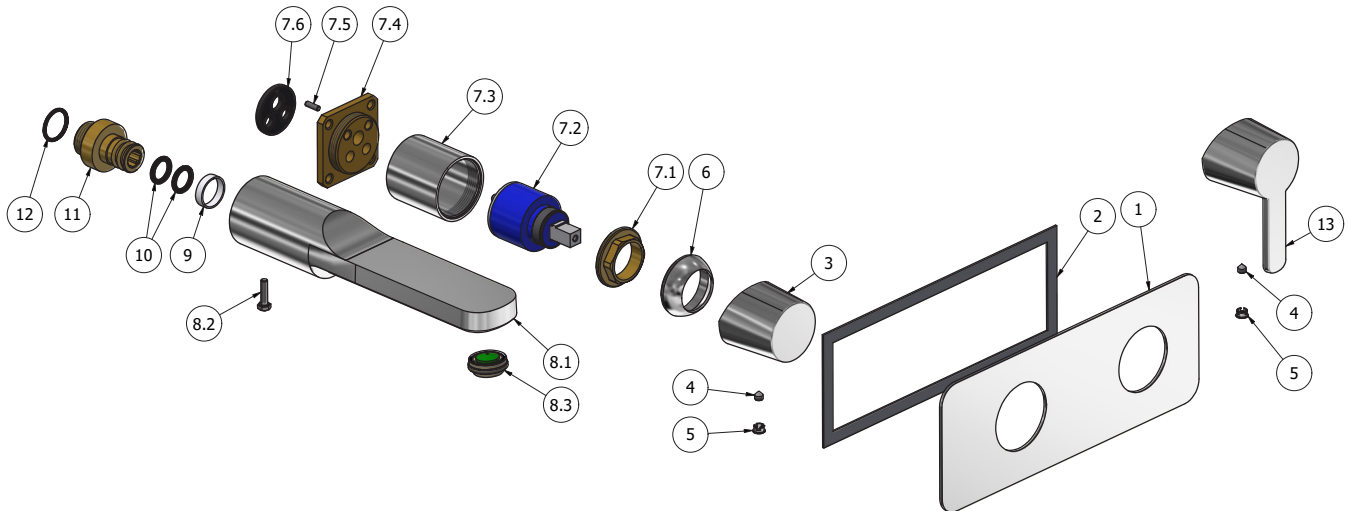
www.weareib.it





WE ARE IB

Parts list			
ELEM.	CODE	DESCRIPTION	QTÀ
1	AC0013175	Plate 220x85x2	1
2	AQ0014142	Rubber packing double-sided tape 200x75x8x1	1
3	AQ0015216	Handle Ø38 41.1x41.1 H42 front hole	1
4	AQ0009729	Grubscrew M5x5 cone point	2
5	AQ0006650	Plug cover Ø7	2
6	AQ0012068	Chromed cover nut Ø38,2 M37x1,5	1
7	CPIN206CC-19	Mixer 47x47 x recessed	1
7.1	AQ0001040	Cartridge ring nut M37x1.5 H9	1
7.2	AQ0004095	Ceramic cartridge Ø35 9x9 (K35A)	1
7.3	AC0010445	Ring for recessed shower mixer	1
7.4	AS0013040	Insert 47x47 H11 M37x1.5	1
7.5	AQ0015357	Grubscrew M3x10 flat point	1
7.6	AQ0015684	Gasket Ø31 H3.5 Ø7 Ø7.5	1
8	CP2310CC-19	Together with the Taaac mouth	1
8.1	CC0002310	Spout Ø43 41.8 L205.5	1
8.2	AQ0015169	M4 X16 screws with hexagonal head	1
8.3	AQ0013390	Perlator NP slim M24x1 1.5 GPM (40.8356.01)	1
9	AQ0010435	Teflon ring Ø19,9 x 5	1
11	AS0011745	Connection piece G1/2" M L42.5	1
12	AQ0004630	OR 17.16x1.78 NBR 70 SH	1
13	AQ0015215	Handle Ø38 41.1x41.1 H42 L89 front hole	1
10	AQ0001360	OR 11.91x2.62 NBR 70 SH	2





WE ARE IB

### **WARRANTY**

All IB Rubinetterie SpA products are warranted for 10 years from the date of purchase, for the following cases:

- Defects of casting, porosity and chrome plating.
- Operating defects caused by incorrect fabrication.

The warranty provides for repair or replacement of products with fabrication defects recognized by our technical office. There is no other type of compensation anche the merchandise must be returned FOB our warehouse. The warranty only cover surface defects (scartches, dings, etc.) on fitting that have not been installed and used, returned in its original packaging with all components. O-ring, gasket seals and components subject to wear proportional to use are warranted for 2 years.

#### **The warranty is void in the following cases:**

Error installing and putting the product into service.

Deterioration of finished surfaces due to use of cleaning products containing acids or abrasive substances.

Deterioration of surface with finishes other than chrome plating. Their durability is, in fact, dependent on the user's care and gentleness of use.

Deterioration of the fitting due incorrect installation.

Improper repairs and maintenance performed without the company's prior authorization.

The warranty from IB Rubinetterie SpA is not renewable.

#### **Cleaning**

We recommended cleaning the finish surfaces with water and soap, using a soft cloth.

Do not use detergents that cointain hydrochloric acid or abrasive substances.