

Collection

BOLD

Article

B1370

Description

Single lever kitchen mixer



Box Dimensions

400x250x140 mm

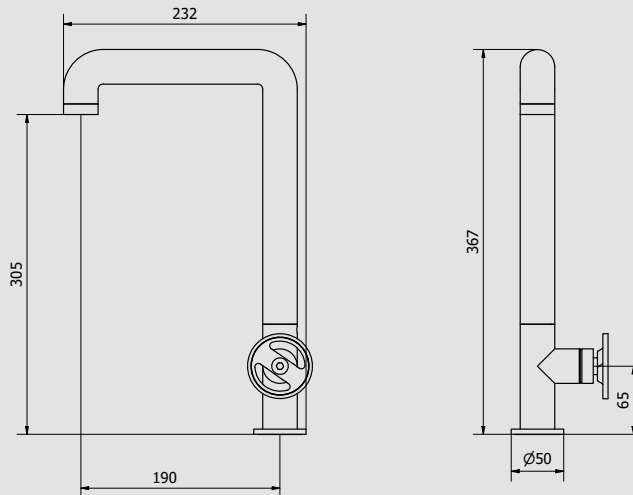
Weight

3.5 kg

Finishes

- **CC**
CHROME
- **PL**
PLATINUM
- **SS**
BRUSHED
NICKEL
- **ON**
NATURAL
BRASS
- **BO**
MATT
WHITE
- **NP**
MATT
BLACK
- **CF**
BLACK
CHROME
- **CS**
BRUSHED
BLACK
CHROME
- **II**
PALE
GOLD
- **IS**
BRUSHED
PALE GOLD
- **RS**
ROSE
GOLD
- **SR**
BRUSHED
ROSE GOLD
- **OO**
GOLD
- **OS**
BRUSHED
GOLD
- **RR**
ANTIQUÉ
COPPER
- **MB**
MODERN
BRONZE

Dimensions



Cartridge

IB 25mms Ceramics discs Cartridge

Hoses

Inox hoses G3\8" female 450 mms long

Aerator

M24x1 perlator coin slot

Flow Rate (+/-10%)

1 BAR	2 BAR	3 BAR
3 l\m	4.4 l\m	4.5 l\m

Production

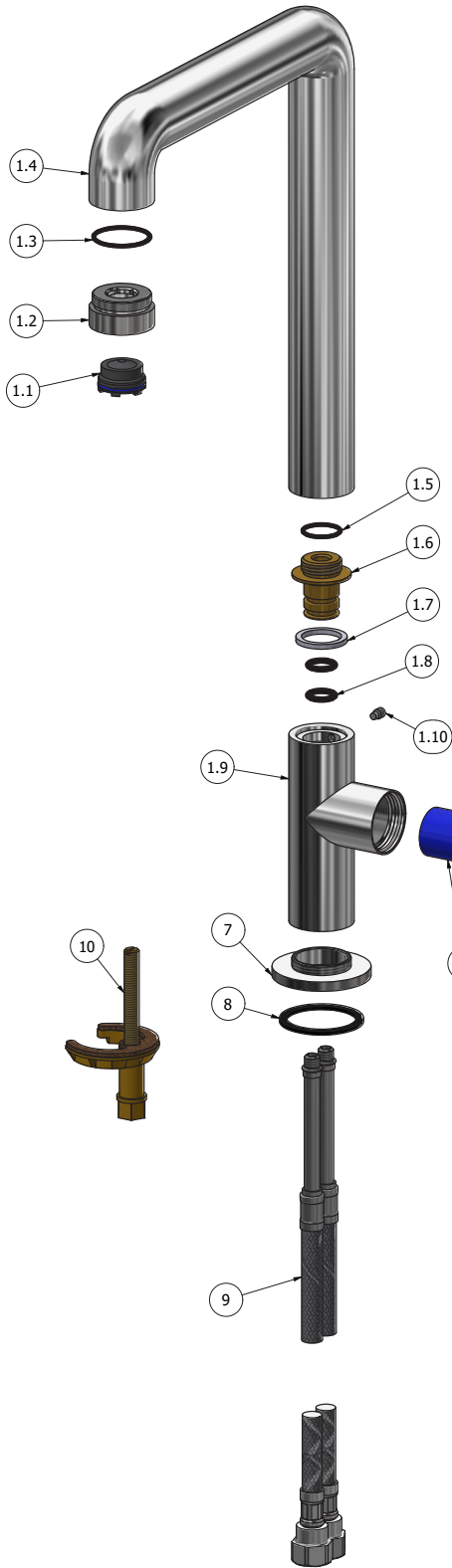
Main body is a single hot stamped pieces

Material

BRASS
According to CuZn42 (CW510L)
Max Lead content:0.2%



WE ARE IB



ELENCO PARTI				
ELEM.	CODICE	DESCRIZIONE	FIN	QTÀ
1	CPBD370CC-1	Premontato cucina	F	1
1.1	AQ0017304	Areatore cachè laminar M24x1 1.5 GPM (40.2356.010)	-	1
1.2	AC0017717	Porta aeratore Ø33 M30x1.5 H17 zigrinatura	F	1
1.3	AQ0010564	OR 26.7x1.78 NBR 70 SH	-	1
1.4	CC0002330	Bocca Ø33 H262 L223	F	1
1.5	AQ0004630	OR 17.16x1.78 NBR 70 SH	-	1
1.6	AS0012692	Inserito porta bocca Ø30 G1/2" L30.4 cucina	G	1
1.7	AQ0007140	Anello antifrizione Ø26 Ø20.3 H2.5	-	1
1.8	AQ0001320	OR 10.78x2.62 NBR 70 SH	-	2
1.9	CC0002270-TI	Corpo lavabo Ø33 H100 L56.5	F	1
1.10	AQ0007178	Grano inox p. cil. M5x8	-	1
1.11	AQ0015157	Cartuccia ceramica Ø25 chiusa Ø5.9 x 4.9 (K25 OPC B)	-	1
1.12	AS0015162	Ghiera premicartuccia Ø28.5 H14.5 M27x1	G	1
1.13	AQ0009815	OR 23.52x1.78 NBR 70 SH	-	1
1.14	AQ0015158	Anello antifrizione Ø30.8 Ø29 H2.2	-	1
1.15	AC0016153	Coprighiera Ø33 H14.8 R20	F	1
2	AQ0015291	Anello antifrizione Ø21.8 Ø16 H2.8	G	1
3	AC0015164	Copertura leva Ø33 H15 zigrinato	F	1
4	CC0002275	Volantino Ø62 H30.5 M10x1 zigrinato	F	1
5	AQ0015357	Grano inox M3x10 p.p.	-	1
6	AC0015166	Vite Ø16 M3 H16	F	1
7	AC0015167	Basetta Ø50 M30x1 H10 zigrinato	F	1
8	AQ0008012	Guarnizione piana 42.5x35.5x2	-	1
9	AQ0013440	Flex inox M8x1 M G3/8" F girevole DN6 L600	-	2
10	AQ0015159	Confezione di fissaggio tirante M8x100, dado e flangia	-	1



WE ARE IB

WARRANTY

All IB Rubinetterie SpA products are warranted for 10 years from the date of purchase, for the following cases:

- Defects of casting, porosity and chrome plating.
- Operating defects caused by incorrect fabrication.

The warranty provides for repair or replacement of products with fabrication defects recognized by our technical office. There is no other type of compensation anche the merchandise must be returned FOB our warehouse. The warranty only cover surface defects (scartches, dings, etc.) on fitting that have not been installed and used, returned in its original packaging with all components. O-ring, gasket seals and components subject to wear proportional to use are warranted for 2 years.

The warranty is void in the following cases:

Error installing and putting the product into service.

Deterioration of finished surfaces due to use of cleaning products containing acids or abrasive substances.

Deterioration of surface with finishes other than chrome plating. Their durability is, in fact, dependent on the user's care and gentleness of use.

Deterioration of the fitting due incorrect installation.

Improper repairs and maintenance performed without the company's prior authorization.

The warranty from IB Rubinetterie SpA is not renewable.

Cleaning

We recommended cleaning the finish surfaces with water and soap, using a soft cloth.

Do not use detergents that cointain hydrochloric acid or abrasive substances.