



WE ARE IB

Collection

## BATLO'

Article

### BI370

Description

Sink mixer.

Box Dimensions

425x188x98 mm

Weight

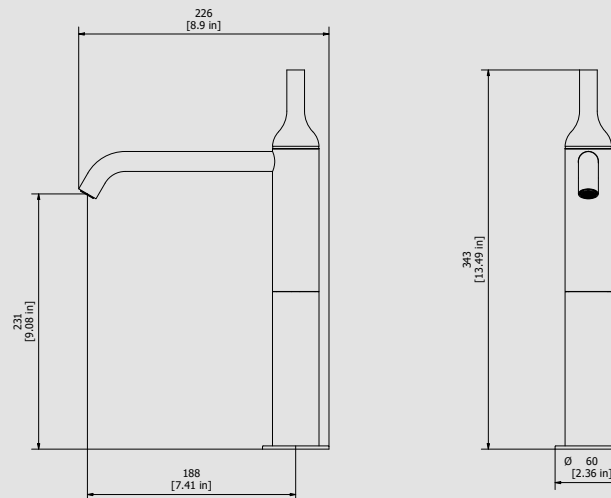
2.7 kg

Finishes

- CC**  
CHROME
- PL**  
PLATINUM
- SS**  
BRUSHED  
NICKEL
- ON**  
NATURAL  
BRASS
- BO**  
MATT  
WHITE
- NP**  
MATT  
BLACK
- CF**  
BLACK  
CHROME
- CS**  
BRUSHED  
BLACK  
CHROME
- II**  
PALE  
GOLD
- IS**  
BRUSHED  
PALE GOLD
- RS**  
ROSE  
GOLD
- SR**  
BRUSHED  
ROSE GOLD
- OO**  
GOLD
- OS**  
BRUSHED  
GOLD
- RR**  
ANTIQUÉ  
COPPER
- BB**  
ANTIQUÉ  
BRONZE
- MB**  
MODERN  
BRONZE



Dimensions



Cartridge

**Ceramic cartridge Ø25**

Threaded fitting

**Inox hose M10x1 G3/8" F L600**

Aerator

**M16.5x1**

Flow Rate (+/-10%)

**1 BAR**  
9.3 l/m

**2 BAR**  
13.3 l/m

**3 BAR**  
16.6 l/m

Production

**Main body is a single hot stamped pieces**

Material

**BRASS**  
According to CuZn39Pb3 (CW614N)  
Max Lead content: 2.5%

IB RUBINETTERIE s.p.a  
via dei Pianotti 3/5  
25068 Sarezzo (BS) - Italy -

T. +39 030 802101  
F. +39 030 803097  
info@weareib.it

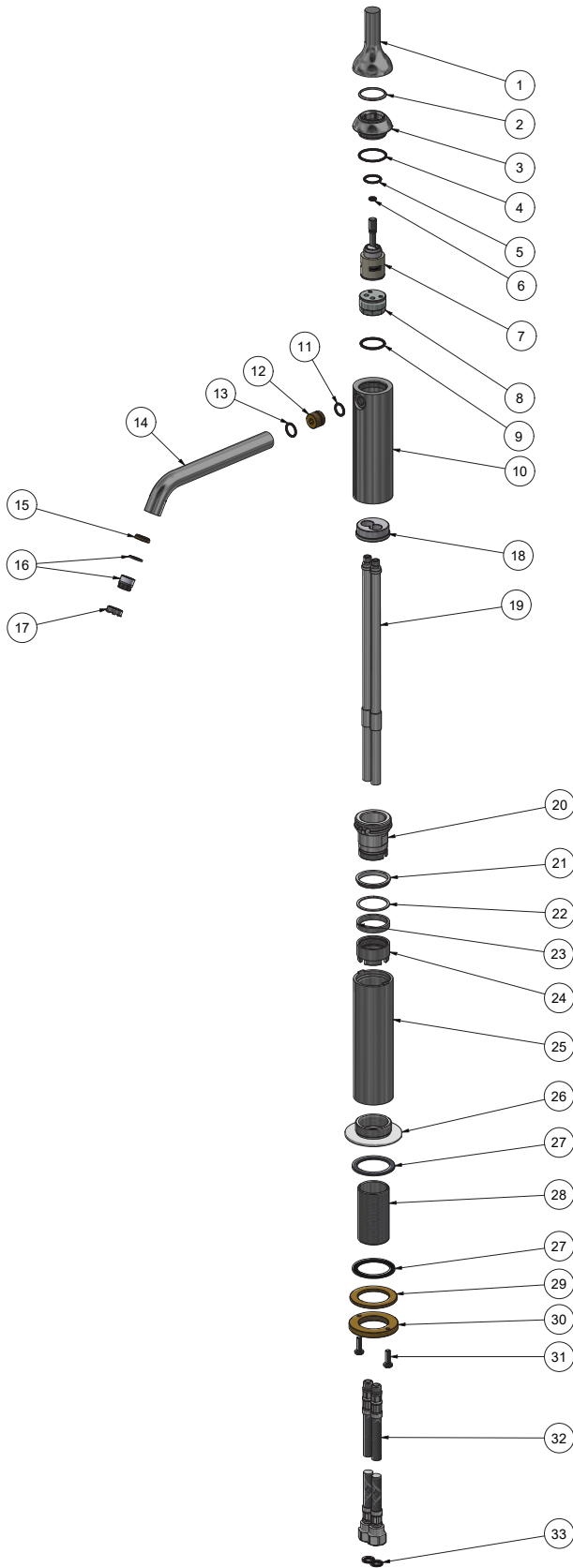
P.IVA 01785230986  
capitale sociale  
€420.000,00 i.v.

www.weareib.it





WE ARE IB



| Parts list |           |  |     |     |
|------------|-----------|--|-----|-----|
| ITEMS      | CODE      | DESCRIPTION                                | FIN | QTA |
| 1          | AQ0010957 | Lever Ø42 Ø16 H70 M8                       | F   | 1   |
| 2          | AQ0010962 | Antifriction ring Ø29.5 Ø26.2 H1.9         | -   | 1   |
| 3          | AC0010782 | Cartridge fixing nut M30x1 H21.45 Ø42      | F   | 1   |
| 4          | AQ0010564 | OR 26.7x1.78 NBR 70 SH                     | -   | 1   |
| 5          | AQ0004600 | OR 15.6x1.78 NBR 70 SH                     | -   | 1   |
| 6          | AQ0001410 | OR 4.2x1.9 NBR 70 SH                       | -   | 1   |
| 7          | AQ0010963 | Ceramic cartridge Ø25 open                 | -   | 1   |
| 8          | AN0010810 | Connection piece Ø27X18                    | N   | 1   |
| 9          | AQ0010972 | OR 23x2 NBR 70 SH                          | -   | 1   |
| 10         | AC0010911 | Kitchen monobloc body Ø42 H130             | F   | 1   |
| 11         | AQ0001350 | OR 11.11x1.78 NBR 70 SH                    | -   | 1   |
| 12         | AS0010783 | Spout connection M16x1 M10x0.75 H15        | G   | 1   |
| 13         | AQ0004610 | OR 12.42x1.78 NBR 70 SH                    | -   | 1   |
| 14         | AC0010910 | Sink dispenser Ø18 L170                    | F   | 1   |
| 15         | AS0010829 | Aerator stopper M16.5x1 H4                 | G   | 1   |
| 16         | AQ0009836 | Perlator honeycomb with rubber (44.3030.0) | -   | 1   |
| 17         | AN0010830 | Aerator cage M16.5x1 H6                    | N   | 1   |
| 18         | AQ0011027 | Extention pipe separator Ø36 H12           | G   | 1   |
| 19         | AS0010912 | Extention pipe M8x1 L280                   | -   | 2   |
| 20         | AN0009663 | Rotating insert for basin                  | N   | 1   |
| 21         | AQ0012278 | Antifriction ring Ø36.6 H4.5               | -   | 1   |
| 22         | AQ0010332 | Delrin ring for sink                       | -   | 1   |
| 23         | AN0010302 | Brass ring for sink                        | N   | 1   |
| 24         | AS0009675 | Insert fixing nut                          | G   | 1   |
| 25         | AC0009667 | Base body for revolving ring               | F   | 1   |
| 26         | AC0009689 | Basin base Ø60 M38x1.5 H15.5 M33x1.5       | F   | 1   |
| 27         | AQ0008013 | Rubber packing 45x35x2                     | -   | 2   |
| 28         | AN0009680 | Threaded stem M33x1.5 H61                  | N   | 1   |
| 29         | AS0010659 | Brass ring Ø50x35.5x3                      | G   | 1   |
| 30         | AS0010658 | Ring nut with screwed holes Ø52 M33x1.5 H6 | G   | 1   |
| 31         | AQ0010358 | Inox screw M5x16 ISO 7045                  | -   | 2   |
| 32         | AQ0013437 | Inox hose M10x1 G3/8" F L600               | -   | 2   |
| 33         | AQ0003060 | Rubber packing G3/8" (14.5x9x2)            | -   | 2   |



WE ARE IB

### **WARRANTY**

All IB Rubinetterie SpA products are warranted for 10 years from the date of purchase, for the following cases:

- Defects of casting, porosity and chrome plating.
- Operating defects caused by incorrect fabrication.

The warranty provides for repair or replacement of products with fabrication defects recognized by our technical office. There is no other type of compensation anche the merchandise must be returned FOB our warehouse. The warranty only cover surface defects (scartches, dings, etc.) on fitting that have not been installed and used, returned in its original packaging with all components. O-ring, gasket seals and components subject to wear proportional to use are warranted for 2 years.

#### **The warranty is void in the following cases:**

Error installing and putting the product into service.

Deterioration of finisched surfaces due to use of cleaning products containing acids or abrasive substances.

Deterioration of surface with finishes other than chrome plating. Their durability is, in fact, dependent on the user's care and gentleness of use.

Deterioration of the fitting due incorrect installation.

Improper repairs and maintenance performed without the company's prior authorization.

The warranty from IB Rubinetterie SpA is not renewable.

#### **Cleaning**

We recommended cleaning the finish surfaces with water and soap, using a soft cloth.

Do not use detergents that cointain hydrochloric acid or abrasive substances.