



WE ARE IB

Collection

ELIO

Article

E0220_1

Description

Monohole bidet hydroprogressive mixer

Box Dimensions

360x220x150 mm

Weight

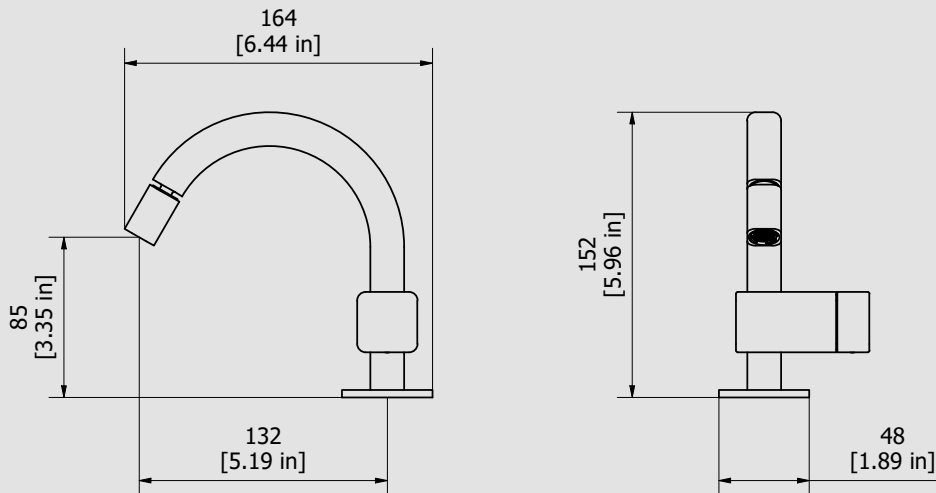
2.7 kg

Finishes

- **CC** CHROME
- **PL** PLATINUM
- **SS** BRUSHED NICKEL
- **ON** NATURAL BRASS
- **BO** MATT WHITE
- **NP** MATT BLACK
- **CF** BLACK CHROME
- **CS** BRUSHED BLACK CHROME
- **II** PALE GOLD
- **IS** BRUSHED PALE GOLD
- **RS** ROSE GOLD
- **SR** BRUSHED ROSE GOLD
- **OO** GOLD
- **OS** BRUSHED GOLD
- **RR** ANTIQUE COPPER
- **MB** MODERN BRONZE



Dimensions



Cartridge

Ø25 progressive cartridge

Hoses

Inox hoses G1/2" female 450mms

Aerator

M16x1

Flow Rate (+/-10%)

1 BAR	2 BAR	3 BAR
3 l/m	3.8 l/m	3.8 l/m

Production

Main body is a machined from a solid pieces

Material

BRASS
According to CuZn42 (CW510L)
Max Lead content: 0.2%

IB RUBINETTERIE s.p.a
via dei Pianotti 3/5
25068 Sarezzo (BS) - Italy -

T. +39 030 802101
F. +39 030 803097
info@weareib.it

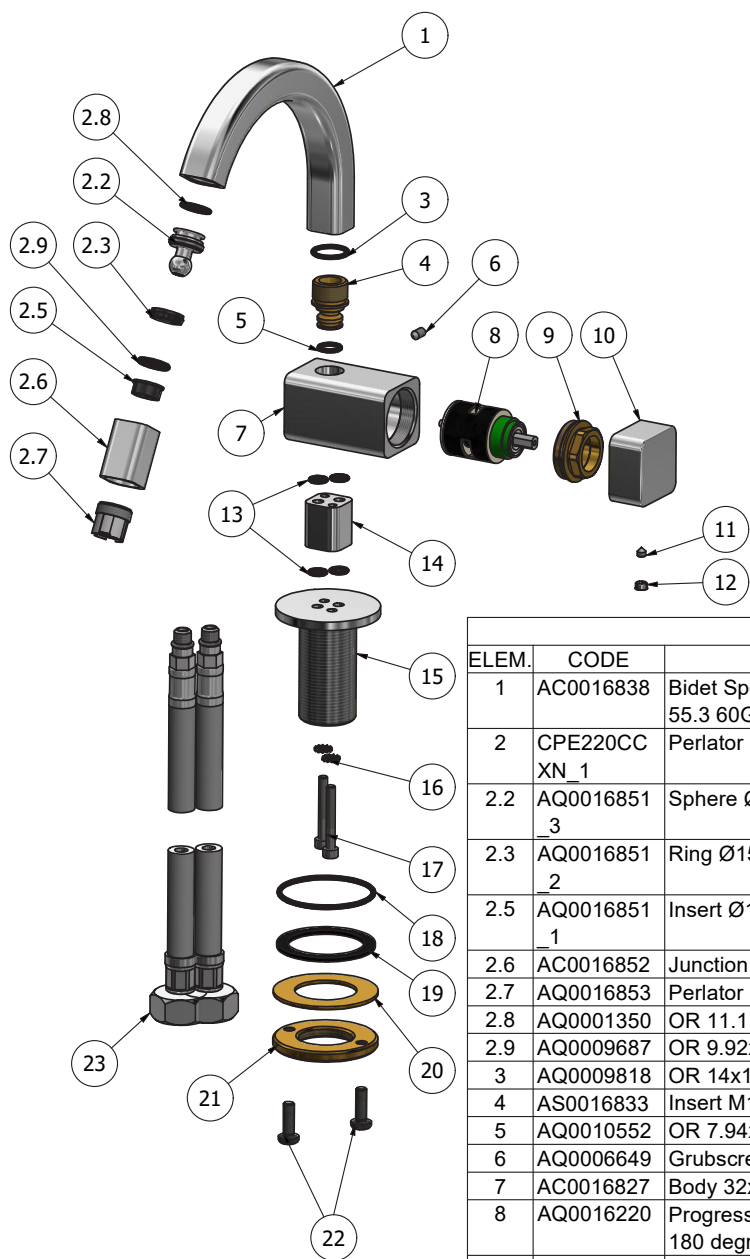
P.IVA 01785230986
capitale sociale
€420.000,00 i.v.

www.weareib.it





WE ARE IB



Parts list			
ELEM.	CODE	DESCRIPTION	QTÀ
1	AC0016838	Bidet Spout 18x18 R4.5 H95.5 int. 116.6 x 55.3 60GR	1
2	CPE220CC XN_1	Perlator 18x18 M16x1M snodato	1
2.2	AQ0016851_3	Sphere Ø10 M16x1M H20 (2650256)	1
2.3	AQ0016851_2	Ring Ø15.9 H3.8 tagliato (4510012)	1
2.5	AQ0016851_1	Insert Ø14.5 H6 (4510011)	1
2.6	AC0016852	Junction joint 18x18 H27	1
2.7	AQ0016853	Perlator M16x1M INVISO WS3 1 GPM	1
2.8	AQ0001350	OR 11.11x1.78 NBR 70 SH	1
2.9	AQ0009687	OR 9.92x2.62 NBR 70 SH	1
3	AQ0009818	OR 14x1.78 NBR 70 SH	1
4	AS0016833	Insert M16x1M H22	1
5	AQ0010552	OR 7.94x1.78 NBR 70 SH	1
6	AQ0006649	Grubscrew M4x8 cone point	1
7	AC0016827	Body 32x32	1
8	AQ0016220	Progressive cartridge Ø25 closure (ST233) 180 degrees	1
9	AS0016835	Nut Ø28.5 H12.5 M27x1	1
10	AC0016834	Handle 32x32x17 plane	1
11	AQ0001082	Grubscrew M4x4 cone point	1
12	AQ0012203	Plug	1
12	Pianale	Plate 100x75 H.10	1
13	AQ0001325	OR 6x1.5 NBR 70 SH	4
14	AC0016841	Block 18x18 H21	1
15	AC0016828	Threaded steam Ø48 W26x19 H50 M8x1	1
16	AQ0015602	Grower washer Ø4 DIN 6798-A	2
17	AQ0016839	Inox screw M4x30 ISO 4762	2
18	AQ0013363	OR 41x2 NBR 70 SH	1
19	AQ0008013	Rubber packing 45x35x2	1
20	AQ0010302	Brass washer Ø50 x 28 x 1,5	1
21	AS0010698	Ring nut W26x19	1
22	AQ0010358	Inox screw M5x16 ISO 7045	2
23	AQ0012108	Inox hose M8x1 G1/2" F L450 DN6	2



WE ARE IB

WARRANTY

All IB Rubinetterie SpA products are warranted for 10 years from the date of purchase, for the following cases:

- Defects of casting, porosity and chrome plating.
- Operating defects caused by incorrect fabrication.

The warranty provides for repair or replacement of products with fabrication defects recognized by our technical office. There is no other type of compensation anche the merchandise must be returned FOB our warehouse. The warranty only cover surface defects (scartches, dings, etc.) on fitting that have not been installed and used, returned in its original packaging with all components. O-ring, gasket seals and components subject to wear proportional to use are warranted for 2 years.

The warranty is void in the following cases:

Error installing and putting the product into service.

Deterioration of finished surfaces due to use of cleaning products containing acids or abrasive substances.

Deterioration of surface with finishes other than chrome plating. Their durability is, in fact, dependent on the user's care and gentleness of use.

Deterioration of the fitting due incorrect installation.

Improper repairs and maintenance performed without the company's prior authorization.

The warranty from IB Rubinetterie SpA is not renewable.

Cleaning

We recommended cleaning the finish surfaces with water and soap, using a soft cloth.

Do not use detergents that cointain hydrochloric acid or abrasive substances.