



WE ARE IB

Collection

## INDUSTRIA

Article

### ID220

Description

#### Monohole bidet mixer

Box Dimensions

340x180x70 mm

Weight

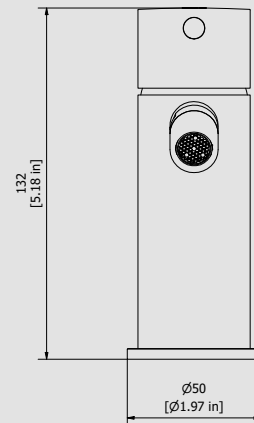
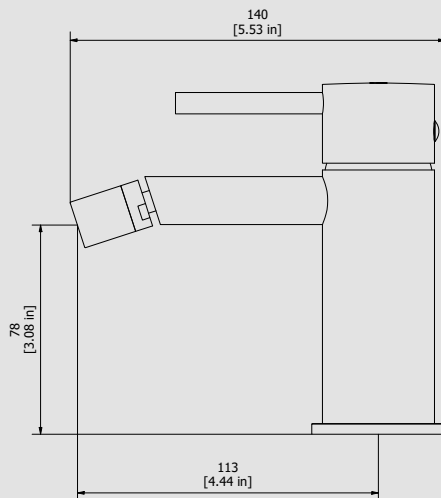
1.6 kg

Finishes

- **CC**  
CHROME
- **PL**  
PLATINUM
- **SS**  
BRUSHED  
NICKEL
- **ON**  
NATURAL  
BRASS
- **BO**  
MATT  
WHITE
- **NP**  
MATT  
BLACK
- **CF**  
BLACK  
CHROME
- **CS**  
BRUSHED  
BLACK  
CHROME
- **II**  
PALE  
GOLD
- **IS**  
BRUSHED  
PALE GOLD
- **RS**  
ROSE  
GOLD
- **SR**  
BRUSHED  
ROSE GOLD
- **OO**  
GOLD
- **OS**  
BRUSHED  
GOLD
- **RR**  
ANTIQUÉ  
COPPER
- **MB**  
MODERN  
BRONZE



Dimensions



Cartridge

Ø25 ceramic cartridge

Threaded fitting

Inox hoses G3\8" female 450 mms long

Aerator

M16.5x1

Flow Rate (+/-10%)

1 BAR  
5.9 l\m

2 BAR  
8.4 l\m

3 BAR  
10.3 l\m

Production

Main body is a machined from a solid pieces

Material

**BRASS**  
According to CuZn42 (CW510L)  
Max Lead content: 0.2%

IB RUBINETTERIE s.p.a  
via dei Pianotti 3/5  
25068 Sarezzo (BS) - Italy -

T. +39 030 802101  
F. +39 030 803097  
info@weareib.it

P.IVA 01785230986  
capitale sociale  
€420.000,00 i.v.

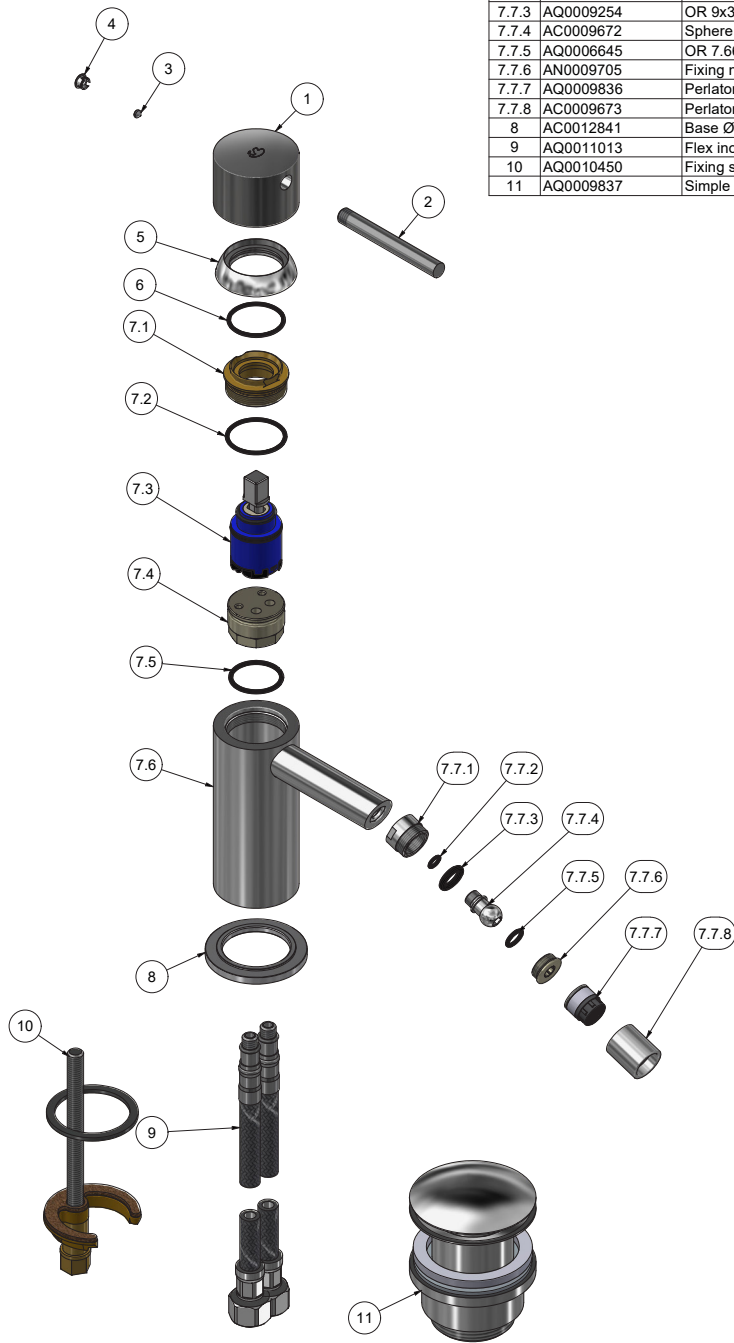
www.weareib.it





WE ARE IB

Parts list				
ITEMS	CODE	DESCRIPTION	FIN	QTA
1	AC0012840-TI	Knurled Handle Ø42 H30 IB	F	1
2	AC0007091	Straight rod Ø8 L67	F	1
3	AQ0013221	Grubscrew M4x3 cone point	-	1
4	AQ0006650	Plug cover Ø7	F	1
5	AC0012842	Cartridge fixing nut chromed cover	F	1
6	AQ0006586	OR 25.12x1.78 NBR 70 SH	-	1
7	CPMT220CC-22	Preassembled bidet	-	1
7.1	AS0011353	Cartridge fixing nut M30x1 H14.35	G	1
7.2	AQ0010564	OR 26.7x1.78 NBR 70 SH	-	1
7.3	AQ0016764	Cartridge Ø25 open 9x9 (KH25OPS A4US)	-	1
7.4	AN0010810	Connection piece Ø27X18	N	1
7.5	AQ0010972	OR 23x2 NBR 70 SH	-	1
7.6	AQ0017788	Bidet body Ø42 H95 L86	F	1
7.7	CP09704CCN-1	Bidet joint M8 Ø18	-	1
7.7.1	AC0009704	Articulated joint for bidet M17x1 M14x1 H12	F	1
7.7.2	AQ0009826	OR 5x1.5 NBR 70 SH	-	1
7.7.3	AQ0009254	OR 9x3 NBR 70 SH	-	1
7.7.4	AC0009672	Sphere for bidet articulated joint Ø11 M8 H19.5	F	1
7.7.5	AQ0006645	OR 7.66x1.78 NBR 70 SH	-	1
7.7.6	AN0009705	Fixing nut for bidet articulated joint Ø15.6 M14x1 H5.7	N	1
7.7.7	AQ0009836	Perlator honeycomb with rubber (44.3030.0)	-	1
7.7.8	AC0009673	Perlator retainer Ø18 M17x1 H20	F	1
8	AC0012841	Base Ø5 H5 knurled	F	1
9	AQ0011013	Flex inox M8x1 G3/8" L450	-	2
10	AQ0010450	Fixing set	-	1
11	AQ0009837	Simple rapid waste 1"1/4	F	1





WE ARE IB

### WARRANTY

All IB Rubinetterie SpA products are warranted for 10 years from the date of purchase, for the following cases:

- Defects of casting, porosity and chrome plating.
- Operating defects caused by incorrect fabrication.

The warranty provides for repair or replacement of products with fabrication defects recognized by our technical office. There is no other type of compensation anche the merchandise must be returned FOB our warehouse. The warranty only cover surface defects (scartches, dings, etc.) on fitting that have not been installed and used, returned in its original packaging with all components. O-ring, gasket seals and components subject to wear proportional to use are warranted for 2 years.

#### The warranty is void in the following cases:

Error installing and putting the product into service.

Deterioration of finished surfaces due to use of cleaning products containing acids or abrasive substances. Deterioration of surface with finishes other than chrome plating. Their durability is, in fact, dependent on the user's care and gentleness of use.

Deterioration of the fitting due incorrect installation.

Improper repairs and maintenance performed without the company's prior authorization.

The warranty from IB Rubinetterie SpA is not renewable.

#### Cleaning

We recommended cleaning the finish surfaces with water and soap, using a soft cloth.

Do not use detergents that contain hydrochloric acid or abrasive substances.