



WE ARE IB

Collection

**K3**

Article

**K3202**

Description

**Tall monohole washbasin mixer**

Box Dimensions

**370x270x80 mm**

Weight

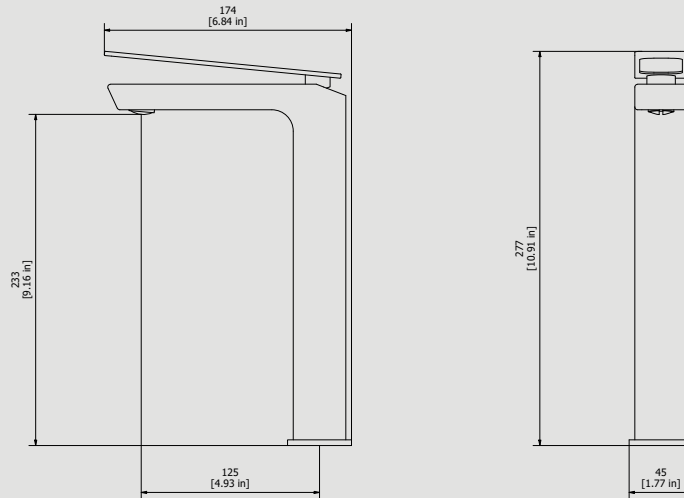
**2.7 kg**

Finishes

- CC** CHROME
- CF** BLACK CHROME
- OO** GOLD
- MB** MODERN BRONZE
- SS** BRUSHED NICKEL
- CS** BRUSHED BLACK CHROME
- BO** MATT WHITE
- NP** MATT BLACK
- IS** BRUSHED PALE GOLD
- OS** BRUSHED GOLD
- II** PALE GOLD
- RR** ANTIQUE COPPER
- RS** ROSE GOLD
- ON** NATURAL BRASS
- SR** BRUSHED ROSE GOLD
- PL** PLATINUM



Dimensions



Cartridge

**Ø25 ceramic cartridge**

Hoses

**Inox hoses G3/8" female 450 mms long**

Aerator

**M24x1**

Flow Rate (+/-10%)

<b>1 BAR</b>	<b>2 BAR</b>	<b>3 BAR</b>
<b>3.5 l/min</b>	<b>4.8 l/min</b>	<b>5 l/min</b>

Production

**Main body is a single casted pieces**

Material

**BRASS**  
According to CuZn35Pb2AL-B (CB752S)  
Max Lead content: 1.36%

IB RUBINETTERIE s.p.a  
via dei Pianotti 3/5  
25068 Sarezzo (BS) - Italy -

T. +39 030 802101  
F. +39 030 803097  
info@weareib.it

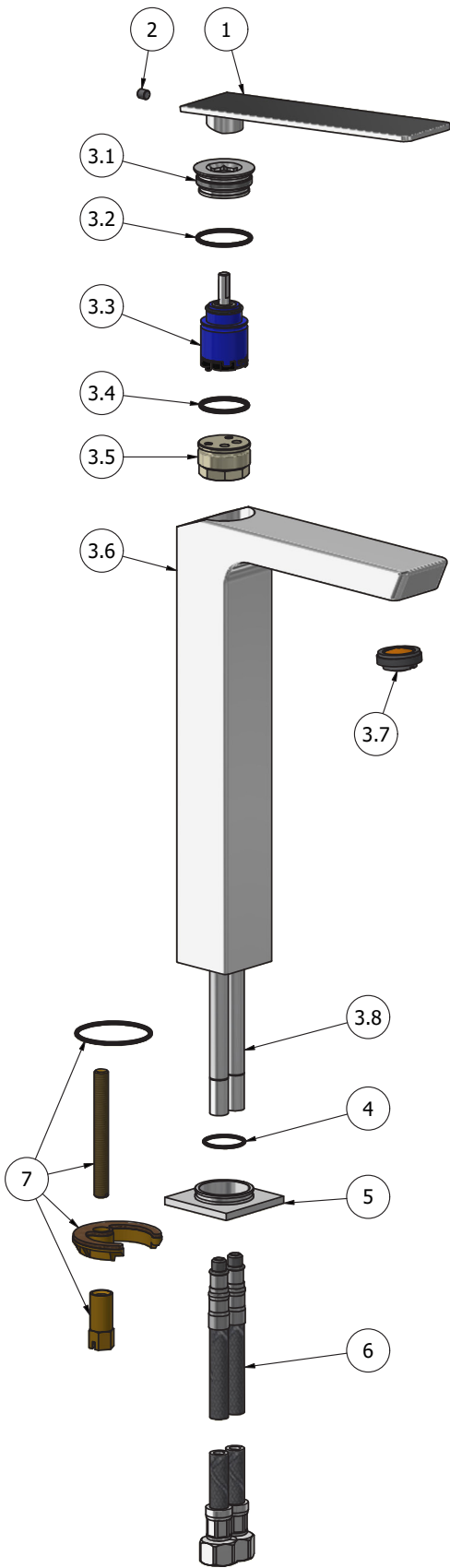
P.IVA 01785230986  
capitale sociale  
€420.000,00 i.v.

www.weareib.it





WE ARE IB



Parts list				
ITEMS	CODE	DESCRIPTION	FIN	QTÀ
1	AQ0013976-TI	Handle L167 H15.4 5.5°	F	1
2	AQ0001100	Grubscrew M5x5 flat point	-	1
3	CPK3202CC-1	Preassembled tall basin mixer KH-03		1
3.1	AC0011883	Cartridge fixing nut Ø32,8 H.14.15	F	1
3.2	AQ0010564	OR 26.7x1.78 NBR 70 SH	-	1
3.3	AQ0016765	Cartridge Ø25 open Ø (KH25OP A4UI)	-	1
3.4	AQ0010972	OR 23x2 NBR 70 SH	-	1
3.5	AN0010810	Connection piece Ø27X18	N	1
3.6	AQ0013982	Mixer body 37x37 H250 L167	F	1
3.7	AQ0013478	Perlator coin slot M24x1 5l/m (45.2051.000)	-	1
3.8	AC0011602	Extension pipe Ø10 M8x1 M M8x1 F L220	-	2
4	AQ0010965	OR 20x1.5 NBR 70 SH	-	1
5	AQ0013602	Basin base 45x45x8.5 zamack	F	1
6	AQ0011013	Flex inox M8x1 G3/8" L450	-	2
7	AQ0010505	Fixing set	-	1
8	AQ0009837	Simple rapid waste 1"1/4	F	1





WE ARE IB

### **WARRANTY**

All IB Rubinetterie SpA products are warranted for 10 years from the date of purchase, for the following cases:

- Defects of casting, porosity and chrome plating.
- Operating defects caused by incorrect fabrication.

The warranty provides for repair or replacement of products with fabrication defects recognized by our technical office. There is no other type of compensation anche the merchandise must be returned FOB our warehouse. The warranty only cover surface defects (scartches, dings, etc.) on fitting that have not been installed and used, returned in its original packaging with all components. O-ring, gasket seals and components subject to wear proportional to use are warranted for 2 years.

#### **The warranty is void in the following cases:**

Error installing and putting the product into service.

Deterioration of finished surfaces due to use of cleaning products containing acids or abrasive substances. Deterioration of surface with finishes other than chrome plating. Their durability is, in fact, dependent on the user's care and gentleness of use.

Deterioration of the fitting due incorrect installation.

Improper repairs and maintenance performed without the company's prior authorization.

The warranty from IB Rubinetterie SpA is not renewable.

#### **Cleaning**

We recommanded cleaning the finish surfaces with water and soap, using a soft cloth.

Do not use detergents that cointain hydrochloric acid or abrasive substances.