



WE ARE IB

Collection

K3

Article

K3299

Description

Monohole free-standing washbasin mixer

Built-in body to be purchased separately INC399

Box Dimensions

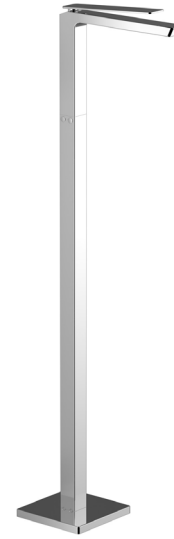
1160x360x180 mm

Weight

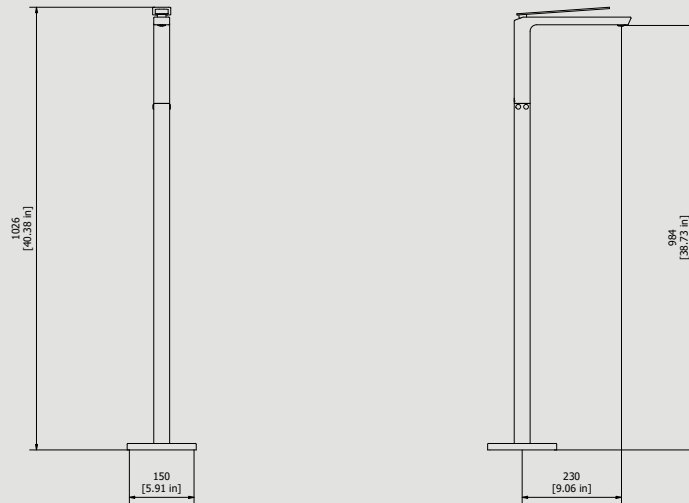
11.2 kg

Finishes

- **CC** CHROME
- **CF** BLACK CHROME
- **OO** GOLD
- **MB** MODERN BRONZE
- **SS** BRUSHED NICKEL
- **CS** BRUSHED BLACK CHROME
- **BO** MATT WHITE
- **NP** MATT BLACK
- **IS** BRUSHED PALE GOLD
- **OS** BRUSHED GOLD
- **II** PALE GOLD
- **RR** ANTIQUE COPPER
- **RS** ROSE GOLD
- **ON** NATURAL BRASS
- **SR** BRUSHED ROSE GOLD
- **PL** PLATINUM



Dimensions



Cartridge

Ø25 ceramic cartridge

Threaded fitting

Aerator

M24x1

Flow Rate (+/-10%)

1 BAR	2 BAR	3 BAR
3.6 l/min	5 l/min	5 l/min

Production

Main body is a single casted pieces

Material

BRASS
According to CuZn35Pb2Al-B (CB752S)
Max Lead content: 1.36%

IB RUBINETTERIE s.p.a
via dei Pianotti 3/5
25068 Sarezzo (BS) - Italy -

T. +39 030 802101
F. +39 030 803097
info@weareib.it

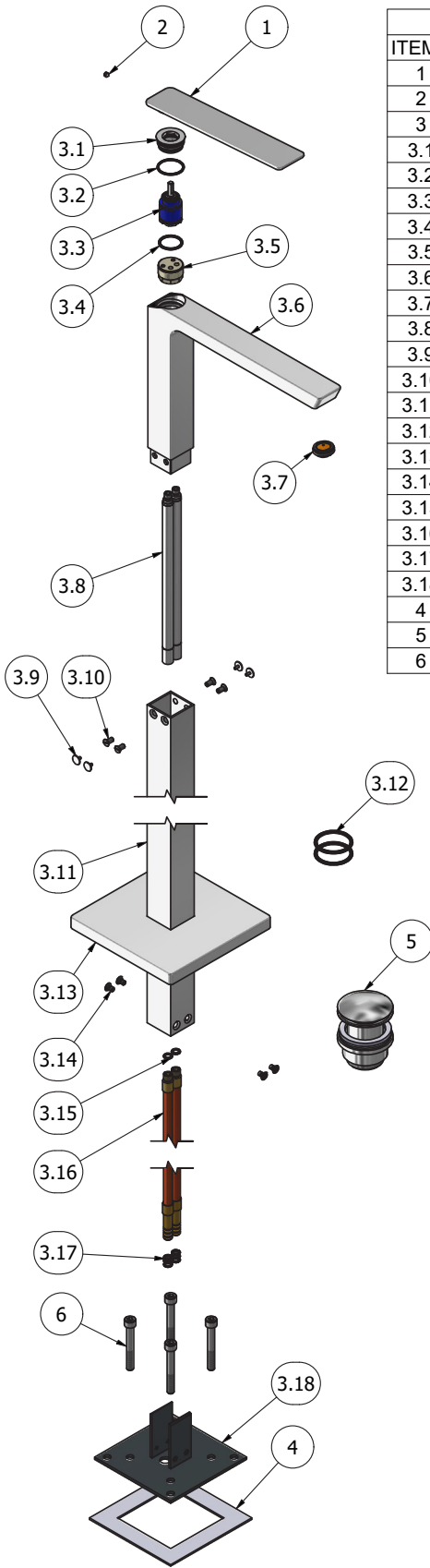
P.IVA 01785230986
capitale sociale
€420.000,00 i.v.

www.weareib.it





WE ARE IB



Parts list				
ITEMS	CODE	DESCRIPTION	FIN	QTÀ
1	AQ0014020	Handle L215 H15.2 4°		1
2	AQ0009729	Grubscrew M5x5 cone point	-	1
3	CPK3299CC-21	Basin mixer to floor		1
3.1	AC0011883	Cartridge fixing nut Ø32,8 H.14.15	F	1
3.2	AQ0010564	OR 26.7x1.78 NBR 70 SH	-	1
3.3	AQ0016765	Cartridge Ø25 open Ø (KH25OP A4UI)	-	1
3.4	AQ0010972	OR 23x2 NBR 70 SH	-	1
3.5	AN0010810	Connection piece Ø27X18	N	1
3.6	AQK014068	Body mikxer 37x37 H L167 stamped		1
3.7	AQ0013478	Perlator coin slot M24x1 5l/m (45.2051.000)	-	1
3.8	AN0010899	Extension pipe M8x1 M10x1 H230	N	2
3.9	AC0007108	M3 plug cover for screw	F	4
3.10	AS0010055	Inox screw M5x10	-	4
3.11	AC0016041	Pipe 37x37x800	F	1
3.12	AQ0009533	OR 37x3 NBR 70 SH	-	2
3.13	AQ0014731	Carter 160x160x15 37.5x37.5	F	1
3.14	AQ0013722	Inox screw M5x8 countersunk head	-	4
3.15	AQ0001330	OR 6.75x1.78 NBR 70 SH	-	2
3.16	AS0012379	Pipe M10x1 L770	-	2
3.17	AQ0012025	OR 6.35x1.78 NBR 70 SH	-	6
3.18	AS0017306	Flange 120x120x63 32.5x32.5	G	1
4	AQ0015986	Rubber packing double-sided tape 128x128x2	-	1
5	AQ0009837	Simple rapid waste 1"1/4	F	1
6	AQ0016200	Inox screw TCEI M8x60 DIN912	-	4



WE ARE IB

WARRANTY

All IB Rubinetterie SpA products are warranted for 10 years from the date of purchase, for the following cases:

- Defects of casting, porosity and chrome plating.
- Operating defects caused by incorrect fabrication.

The warranty provides for repair or replacement of products with fabrication defects recognized by our technical office. There is no other type of compensation anche the merchandise must be returned FOB our warehouse. The warranty only cover surface defects (scartches, dings, etc.) on fitting that have not been installed and used, returned in its original packaging with all components. O-ring, gasket seals and components subject to wear proportional to use are warranted for 2 years.

The warranty is void in the following cases:

Error installing and putting the product into service.

Deterioration of finished surfaces due to use of cleaning products containing acids or abrasive substances.

Deterioration of surface with finishes other than chrome plating. Their durability is, in fact, dependent on the user's care and gentleness of use.

Deterioration of the fitting due incorrect installation.

Improper repairs and maintenance performed without the company's prior authorization.

The warranty from IB Rubinetterie SpA is not renewable.

Cleaning

We recommanded cleaning the finish surfaces with water and soap, using a soft cloth.

Do not use detergents that cointain hydrochloric acid or abrasive substances.