



WE ARE IB

Collection

LOVEME

Article

LM202

Description

Tall monohole washbasin mixer.



Box Dimensions

455x310x75 mm

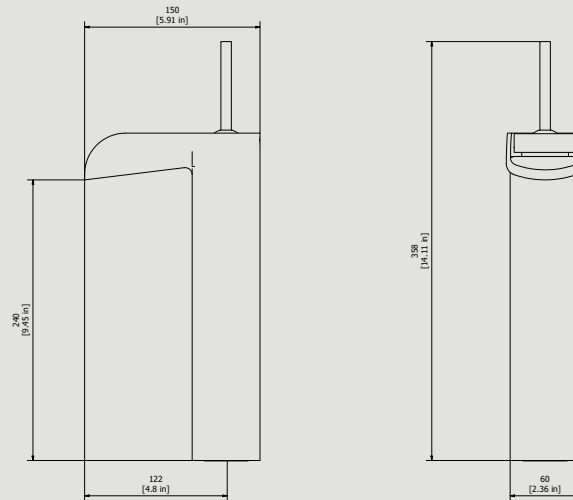
Weight

4.4 kg

Finishes

- **CC**
CHROME
- **CF**
BLACK CHROME
- **OO**
GOLD
- **BB**
ANTIQUÉ BRONZE
- **SS**
BRUSHED NICKEL
- **CS**
BRUSHED BLACK CHROME
- **BO**
MATT WHITE
- **NP**
MATT BLACK
- **IS**
BRUSHED PALE GOLD
- **OS**
BRUSHED GOLD
- **II**
PALE GOLD
- **RR**
ANTIQUÉ COPPER
- **ORS**
ROSE GOLD
- **ON**
NATURAL BRASS
- **SR**
BRUSHED ROSE GOLD
- **PL**
PLATINUM

Dimensions



Cartridge

Ø35 ceramic cartridge

Hoses

Hoses M10x1 G1/2" F L400 DN8

Aerator

Flow Rate (+/-10%)

1 BAR	2 BAR	3 BAR
8 l/min	9 l/min	9.5 l/min

Production

Main body is a single casted pieces

Material

BRASS
According to CuZn35Pb2AL-B (CB752S)
Max Lead content: 1.36%

IB RUBINETTERIE s.p.a
via dei Pianotti 3/5
25068 Sarezzo (BS) - Italy -

T. +39 030 802101
F. +39 030 803097
info@weareib.it

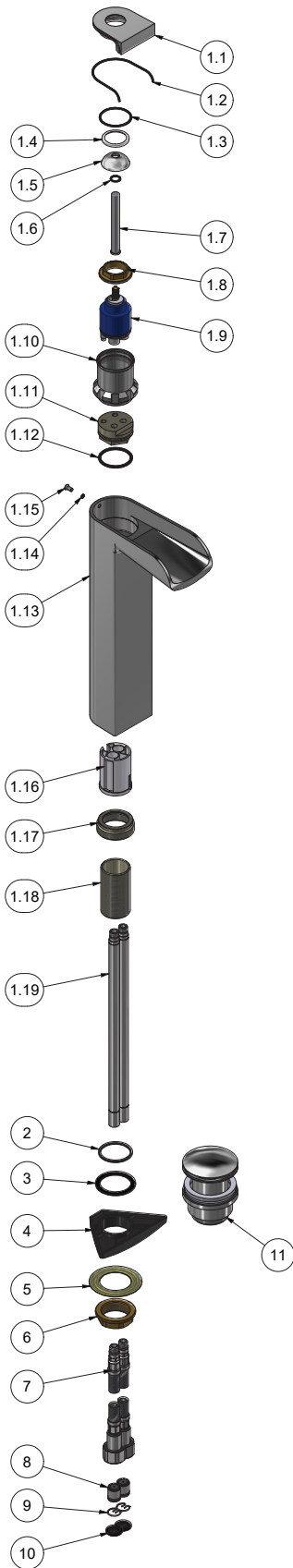
P.IVA 01785230986
capitale sociale
€420.000,00 i.v.

www.weareib.it





WE ARE IB



Parts list				
ITEMS	CODE	DESCRIPTION	FIN	QTÀ
1	CPKLM202CCX01	Preassembled tall basin mixer	F	1
1.1	CC0002110	Cartridge cover flange	F	1
1.2	AQ0010295	Rubber packing L.160 x 1,78	-	1
1.3	AQ0008026	OR 33.05x1.78 NBR 70 SH	-	1
1.4	AQ0010014	Antifriction ring for sphere H.2,5	G	1
1.5	AC0009974	Cover cartridge sphere	F	1
1.6	AQ0010077	OR 9x1.5 NBR 70 SH	-	1
1.7	AC0010230	Rod for lever	F	1
1.8	AQ0001040	Cartridge ring nut M37x1.5 H9	G	1
1.9	AQ0010039	Ceramic cartridge joystick Ø35 with distribution	-	1
1.10	AC0010220	Insert for cartridge M50x1 H49.7	F	1
1.11	AN0010238	Connection piece for tall basin	N	1
1.12	AQ0001425	OR 33x2.62 NBR 70 SH	-	1
1.13	CC0001651	Tall basin mixer body DZR	F	1
1.14	AQ0010276	OR 3x1 NBR 70 SH	-	1
1.15	AQ0010280	Inox screw M4X8,5	-	1
1.16	AQ0009711	Separator for pipes	-	1
1.17	AN0010239	Fixing plug for tall basin	N	1
1.18	AN0009680	Threaded stem M33x1.5 H61	N	1
1.19	AC0009706	Extension pipe 230mm 10 x 1	-	2
2	AQ0010274	Rubber packing Ø38x33.5x2	-	1
3	AQ0008013	Rubber packing 45x35x2	-	1
4	AQ0009184	Support base for sink	-	1
5	AQ0000881	Inox flange Ø35.5x59	-	1
6	AS0009901	Nut M33x1.5 H13 nikel	G	1
7	AQ0010273	Hoses M10x1 G1/2" F L400 DN8	G	2
8	AQ0010290	Flow valve 6 Lt (31.4182.0)	-	2
9	AQ0009678	Elastic ring AISI 302	-	2
10	AQ0010360	Rubber packing 1/2" H2 with filter	-	2
11	AQ0009837	Simple rapid waste 1"1/4	F	1



WE ARE IB

WARRANTY

All IB Rubinetterie SpA products are warranted for 10 years from the date of purchase, for the following cases:

- Defects of casting, porosity and chrome plating.
- Operating defects caused by incorrect fabrication.

The warranty provides for repair or replacement of products with fabrication defects recognized by our technical office. There is no other type of compensation anche the merchandise must be returned FOB our warehouse. The warranty only cover surface defects (scartches, dings, etc.) on fitting that have not been installed and used, returned in its original packaging with all components. O-ring, gasket seals and components subject to wear proportional to use are warranted for 2 years.

The warranty is void in the following cases:

Error installing and putting the product into service.

Deterioration of finished surfaces due to use of cleaning products containing acids or abrasive substances.

Deterioration of surface with finishes other than chrome plating. Their durability is, in fact, dependent on the user's care and gentleness of use.

Deterioration of the fitting due incorrect installation.

Improper repairs and maintenance performed without the company's prior authorization.

The warranty from IB Rubinetterie SpA is not renewable.

Cleaning

We recommanded cleaning the finish surfaces with water and soap, using a soft cloth.

Do not use detergents that cointain hydrochloric acid or abrasive substances.