



WE ARE IB

Collection

MILANO TORINO

Article

MT610

Description

Two ways wall shower thermostatic valve

Built-in body to be purchased separately INC310

Box Dimensions

150x190x98 mm

Weight

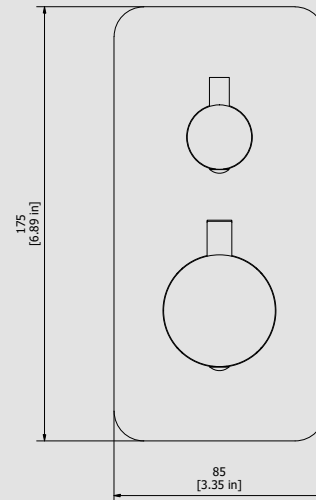
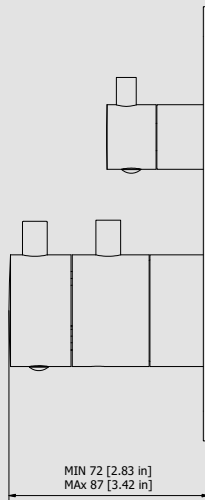
2.4 kg

Finishes

- **CC**
CHROME
- **PL**
PLATINUM
- **SS**
BRUSHED
NICKEL
- **ON**
NATURAL
BRASS
- **BO**
MATT
WHITE
- **NP**
MATT
BLACK
- **CF**
BLACK
CHROME
- **CS**
BRUSHED
BLACK
CHROME
- **II**
PALE
GOLD
- **IS**
BRUSHED
PALE GOLD
- **RS**
ROSE
GOLD
- **SR**
BRUSHED
ROSE GOLD
- **OO**
GOLD
- **OS**
BRUSHED
GOLD
- **RR**
ANTIQUÉ
COPPER
- **MB**
MODERN
BRONZE



Dimensions



Cartridge

Thermostatic cartridge

Threaded fitting

Aerator

Flow Rate (+/-10%)

1 BAR
11.6 l/m

2 BAR
16.3 l/m

3 BAR
20.1 l/m

Production

Main body is a machined from a solid pieces

Material

BRASS
According to CuZn39PB3 (CW614N)
Max Lead content: 2.5%

IB RUBINETTERIE s.p.a
via dei Pianotti 3/5
25068 Sarezzo (BS) - Italy -

T. +39 030 802101
F. +39 030 803097
info@weareib.it

P.IVA 01785230986
capitale sociale
€420.000,00 i.v.

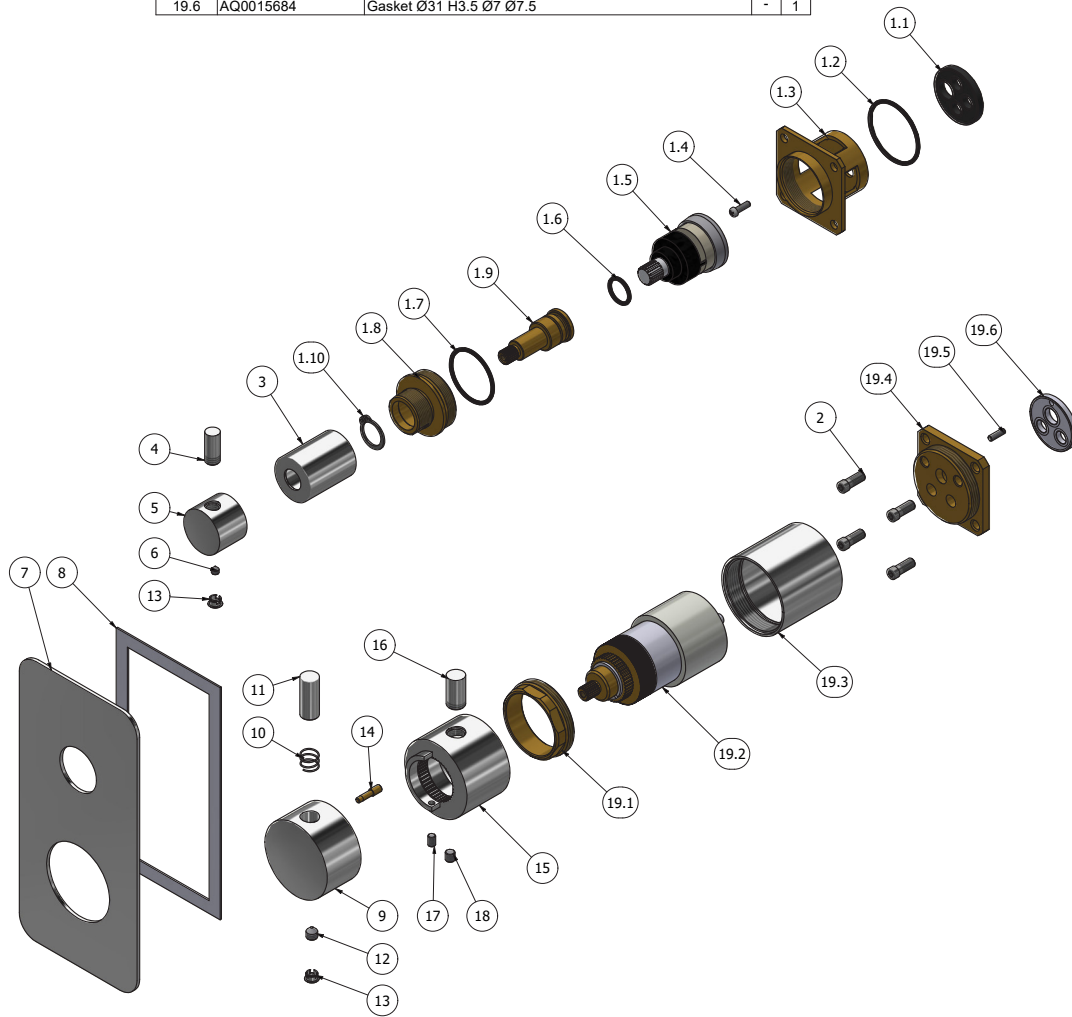
www.weareib.it





WE ARE IB

Parts list			
ITEMS	CODE	DESCRIPTION	FIN QTA
1	CPDEV2VCCXN_1	90 ° built-in 2-way diverter 48x48 z8x20	- 1
1.1	AQ0015686	Rubber Ø32 H4	- 1
1.2	AQ0008026	OR 33.05x1.78 NBR 70 SH	- 1
1.3	AS0013047	Insert 47x47x32	G 1
1.4	AQ0012206	Inox screw M3x10	- 1
1.5	AQ0017450	Cartridge dev.2 outputs 90°	- 1
1.6	AQ0004610	OR 12.42x1.78 NBR 70 SH	- 1
1.7	AQ0010597	OR 28.3x1.78 NBR 70 SH	- 1
1.8	AS0013050	Junction M32x1 M22x1 H23	G 1
1.9	AS0013048	Rod Ø17.9 H42.4	G 1
1.10	AQ0015748	Seeger ring Ø14 H1	- 1
2	AQ0015841	St. steel screw M5x12	- 4
3	AC0013054	Ring Ø26 M22x1 F H33	F 1
4	AC0007092	Handle knob M8 H19	F 1
5	AC0011372	Diverter's knob Ø26 H20	F 1
6	AQ0001082	Grubscrew M4x4 cone point	- 1
7	AC0016617-TI	Plate 175x85x2 hole Ø45.5	F 1
8	AQ0012239	Rubber packing double-sided tape 145x75x8x1	- 1
9	AC0013147	Thermo's Handle Ø45 H25	F 1
10	AQ0010629	Spring for Thermo's handle Ø9.9 H8	- 1
11	AC0011573	Thermo handle hub Ø10 H24	F 1
12	AQ0009549	Grubscrew M6x6 cone point	- 1
13	AQ0006650	Plug cover Ø7	F 2
14	AS0011571	Pin for thermo lever button	G 1
15	AC0013148	Capacity handle Ø45 H37	F 1
16	AC0013149	Handle knob H19 M10	F 1
17	AQ0001081	Grubscrew M4x6 flat point	- 1
18	AQ0001100	Grubscrew M5x5 flat point	- 1
19	CPMB2398CC-1	Preassembled thermostatic cartridge	F 1
19.1	AS0011617	Cartridge fixing nut W42x19 H12	G 1
19.2	AQ0013614	Thermostatic cartridge Hydrostat mini coaxial ST 340 type	- 1
19.3	AC0013150	Ceramic cartridge ring Ø45 M42x1.5 42x19 H42	F 1
19.4	AS0013151	Insert 47x47 h11 M42x1.5	G 1
19.5	AQ0015357	Grubscrew M3x10 flat point	- 1
19.6	AQ0015684	Gasket Ø31 H3.5 Ø7 Ø7.5	- 1





WE ARE IB

WARRANTY

All IB Rubinetterie SpA products are warranted for 10 years from the date of purchase, for the following cases:

- Defects of casting, porosity and chrome plating.
- Operating defects caused by incorrect fabrication.

The warranty provides for repair or replacement of products with fabrication defects recognized by our technical office. There is no other type of compensation anche the merchandise must be returned FOB our warehouse. The warranty only cover surface defects (scartches, dings, etc.) on fitting that have not been installed and used, returned in its original packaging with all components. O-ring, gasket seals and components subject to wear proportional to use are warranted for 2 years.

The warranty is void in the following cases:

Error installing and putting the product into service.

Deterioration of finished surfaces due to use of cleaning products containing acids or abrasive substances.

Deterioration of surface with finishes other than chrome plating. Their durability is, in fact, dependent on the user's care and gentleness of use.

Deterioration of the fitting due incorrect installation.

Improper repairs and maintenance performed without the company's prior authorization.

The warranty from IB Rubinetterie SpA is not renewable.

Cleaning

We recommended cleaning the finish surfaces with water and soap, using a soft cloth.

Do not use detergents that cointain hydrochloric acid or abrasive substances.