



WE ARE IB

Collection

## OFFICINA

Article

## OF002

Description

Soap dispenser holder

Box Dimensions

170 x 60 x 80 mm

Weight

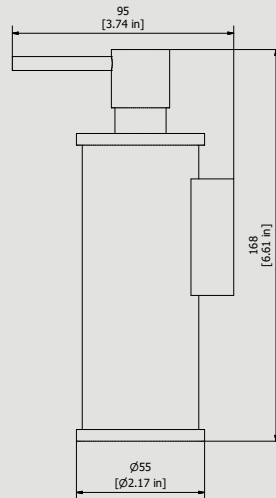
0.6 kg

Finishes

- **CC**  
CHROME
- **CF**  
BLACK CHROME
- **OO**  
GOLD
- **MB**  
MODERN BRONZE
- **SS**  
BRUSHED NICKEL
- **CS**  
BRUSHED BLACK CHROME
- **BO**  
MATT WHITE
- **NP**  
MATT BLACK
- **IS**  
BRUSHED PALE GOLD
- **OS**  
BRUSHED GOLD
- **II**  
PALE GOLD
- **RR**  
ANTIQUÉ COPPER
- **RS**  
ROSE GOLD
- **ON**  
NATURAL BRASS
- **SR**  
BRUSHED ROSE GOLD
- **PL**  
PLATINUM



Dimensions



Cartridge

Hoses

Aerator

Flow Rate (+/-10%)

1 BAR

2 BAR

3 BAR

Production

Material

IB RUBINETTERIE s.p.a  
via dei Pianotti 3/5  
25068 Sarezzo (BS) - Italy -

T. +39 030 802101  
F. +39 030 803097  
info@weareib.it

P.IVA 01785230986  
capitale sociale  
€420.000,00 i.v.

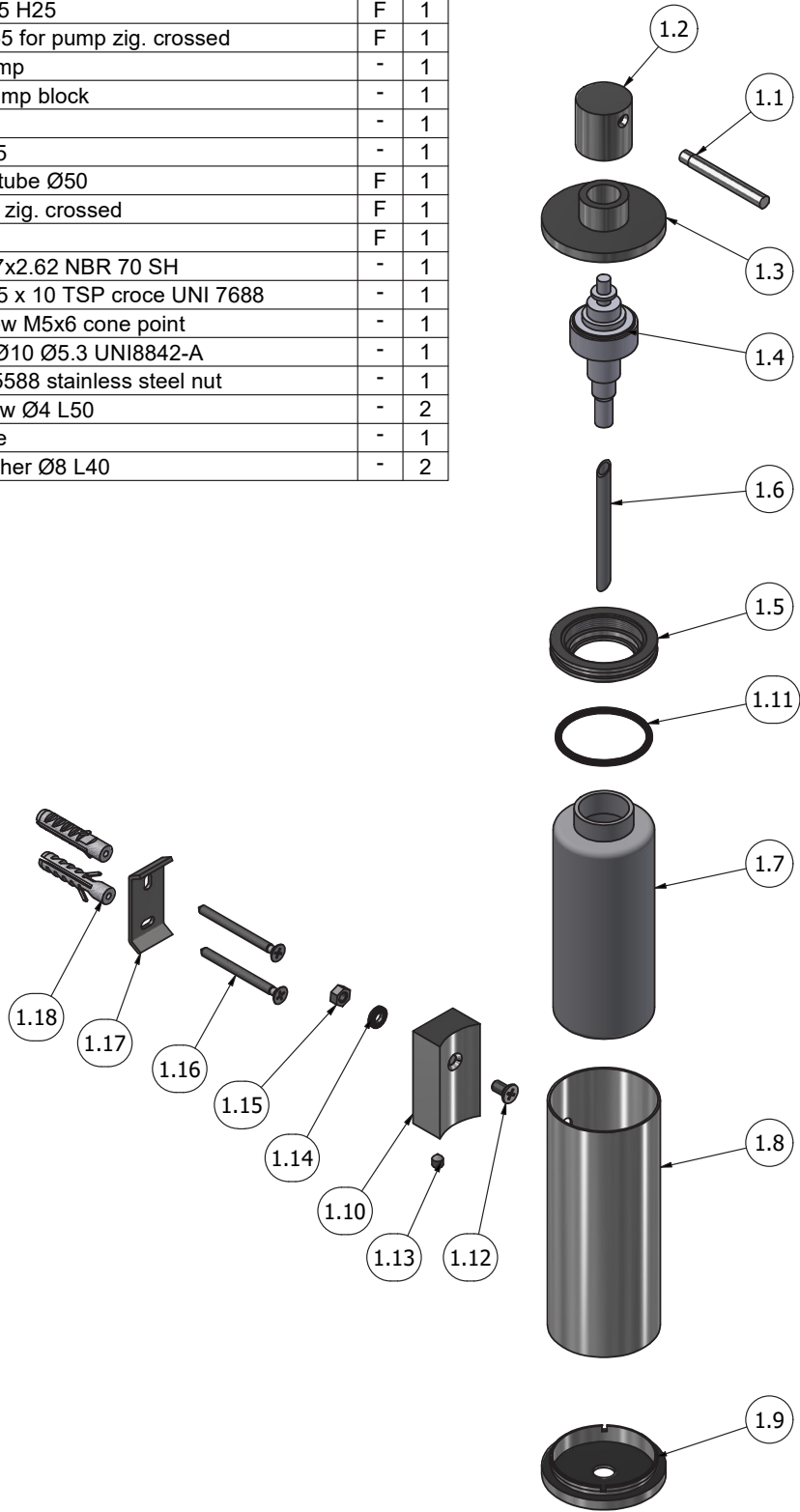
www.weareib.it





WE ARE IB

Parts list				
ITEMS	CODE	DESCRIPTION	FIN	QTÀ
1	AQ0015654	Wall soap dispenser holder	F	1
1.1	AQ0015654_1	Pin Ø6 L50.5	F	1
1.2	AQ0015654_2	Knob Ø25 H25	F	1
1.3	AQ0015654_3	Insert Ø55 for pump zig. crossed	F	1
1.4	AQ0015654_4	Smal Pump	-	1
1.5	AQ0015654_5	Ø47.5 pump block	-	1
1.6	AQ0015654_6	Tube Ø6	-	1
1.7	AQ0015654_7	Tank Ø45	-	1
1.8	AQ0015654_8	External tube Ø50	F	1
1.9	AQ0015654_9	Cap Ø55 zig. crossed	F	1
1.10	AQ0015654_10	Wall plug	F	1
1.11	AQ0015654_11	OR 37.77x2.62 NBR 70 SH	-	1
1.12	AQ0015654_12	Screw M5 x 10 TSP croce UNI 7688	-	1
1.13	AQ0015654_13	Grubscrew M5x6 cone point	-	1
1.14	AQ0015654_14	Washer Ø10 Ø5.3 UNI8842-A	-	1
1.15	AQ0015654_15	M5 UNI 5588 stainless steel nut	-	1
1.16	AQ0015654_16	Inox screw Ø4 L50	-	2
1.17	AQ0015654_17	Wall plate	-	1
1.18	AQ0015654_18	Dowel fisher Ø8 L40	-	2





WE ARE IB

### **WARRANTY**

All IB Rubinetterie SpA products are warranted for 10 years from the date of purchase, for the following cases:

- Defects of casting, porosity and chrome plating.
- Operating defects caused by incorrect fabrication.

The warranty provides for repair or replacement of products with fabrication defects recognized by our technical office. There is no other type of compensation anche the merchandise must be returned FOB our warehouse. The warranty only cover surface defects (scartches, dings, etc.) on fitting that have not been installed and used, returned in its original packaging with all components. O-ring, gasket seals and components subject to wear proportional to use are warranted for 2 years.

#### **The warranty is void in the following cases:**

Error installing and putting the product into service.

Deterioration of finished surfaces due to use of cleaning products containing acids or abrasive substances.

Deterioration of surface with finishes other than chrome plating. Their durability is, in fact, dependent on the user's care and gentleness of use.

Deterioration of the fitting due incorrect installation.

Improper repairs and maintenance performed without the company's prior authorization.

The warranty from IB Rubinetterie SpA is not renewable.

#### **Cleaning**

We recommanded cleaning the finish surfaces with water and soap, using a soft cloth.

Do not use detergents that cointain hydrochloric acid or abrasive substances.