



WE ARE IB

Collection

**SOHO**

Article

**OH200**

Description

**Monohole washbasin mixer.**

Box Dimensions

**340x180x70 mm**

Weight

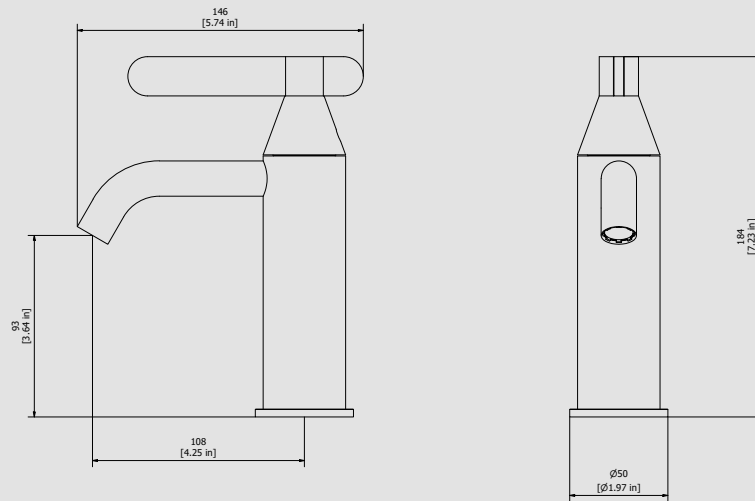
**1.6 kg**

Finishes

- CC** CHROME
- PL** PLATINUM
- SS** BRUSHED NICKEL
- ON** NATURAL BRASS
- BO** MATT WHITE
- NP** MATT BLACK
- CF** BLACK CHROME
- CS** BRUSHED BLACK CHROME
- II** PALE GOLD
- IS** BRUSHED PALE GOLD
- RS** ROSE GOLD
- SR** BRUSHED ROSE GOLD
- OO** GOLD
- OS** BRUSHED GOLD
- RR** ANTIQUE COPPER
- MB** MODERN BRONZE



Dimensions



Cartridge

**Ø25 ceramic cartridge**

Threaded fitting

**Inox hoses G3\8" female 400 mms long**

Aerator

**M16.5x1**

Flow Rate (+/-10%)

1 BAR	2 BAR	3 BAR
3 l\m	3.8 l\m	3.8 l\m

Production

**Main body is a single casted pieces**

Material

**BRASS**  
According to CuZn42 (CW510L)  
Max Lead content: 0.2%

IB RUBINETTERIE s.p.a  
via dei Pianotti 3/5  
25068 Sarezzo (BS) - Italy -

T. +39 030 802101  
F. +39 030 803097  
info@weareib.it

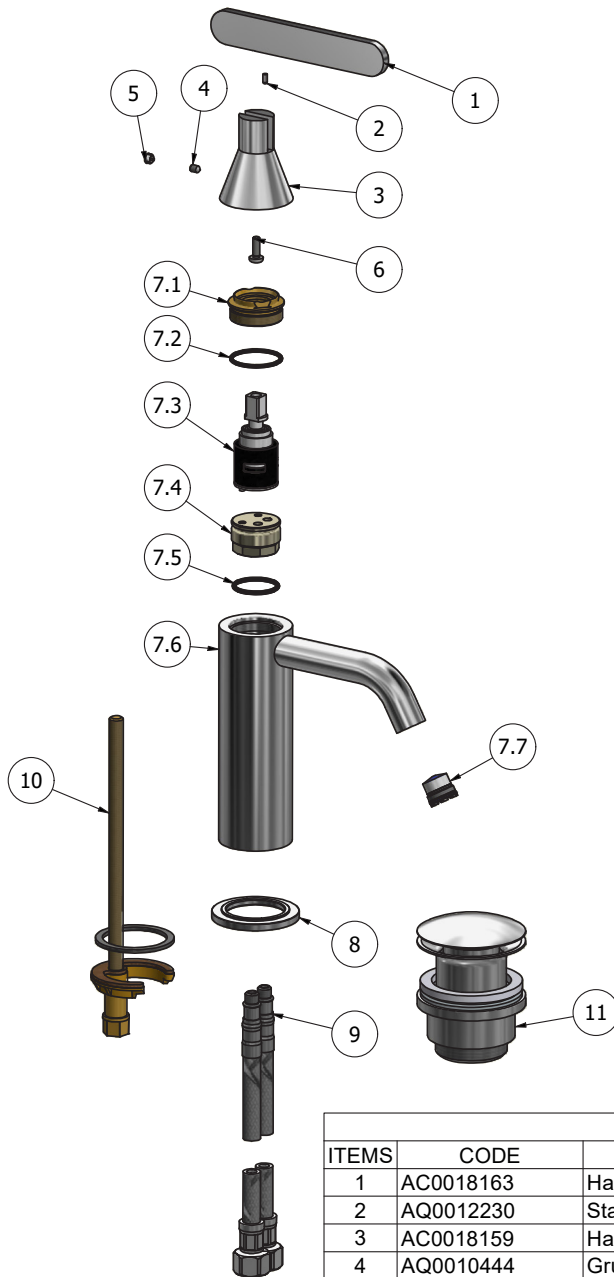
P.IVA 01785230986  
capitale sociale  
€420.000,00 i.v.

[www.weareib.it](http://www.weareib.it)





WE ARE IB



Parts list				
ITEMS	CODE	DESCRIPTION	FIN	QTÀ
1	AC0018163	Handle 20 L120 H5	F	1
2	AQ0012230	Stainless stell pin Ø2.5x6	-	1
3	AC0018159	Handle Ø42 Ø20 H50	F	1
4	AQ0010444	Grubscrew M4x6 cone point	-	1
5	AQ0012203	Plug	F	1
6	AQ0010985	Inox screw M4x12	-	1
7	CPOH200CCN-1	Preassembled basin mixer	F	1
7.1	AS0011353	Cartridge fixing nut M30x1 H14.35	G	1
7.2	AQ0010564	OR 26.7x1.78 NBR 70 SH	-	1
7.3	AQ0018232	Progressive cartridge Ø25 open 9x9 90°	-	1
7.4	AN0010810	Connection piece Ø27X18	N	1
7.5	AQ0010972	OR 23x2 NBR 70 SH	-	1
7.6	AQ0014246	Mixer body Ø42 H129	F	1
7.7	AQ0014147	Perlator PCA cachè laminar 1 GPM (44.3358.010)	-	1
8	AC0010787	Base Ø5 H5	F	1
9	AQ0011013	Flex inox M8x1 G3/8" L450	-	2
10	AQ0015676	Fixing set	-	1
11	AQ0009837	Simple rapid waste 1"1/4	F	1



WE ARE IB

### **WARRANTY**

All IB Rubinetterie SpA products are warranted for 10 years from the date of purchase, for the following cases:

- Defects of casting, porosity and chrome plating.
- Operating defects caused by incorrect fabrication.

The warranty provides for repair or replacement of products with fabrication defects recognized by our technical office. There is no other type of compensation anche the merchandise must be returned FOB our warehouse. The warranty only cover surface defects (scartches, dings, etc.) on fitting that have not been installed and used, returned in its original packaging with all components. O-ring, gasket seals and components subject to wear proportional to use are warranted for 2 years.

#### **The warranty is void in the following cases:**

Error installing and putting the product into service.

Deterioration of finished surfaces due to use of cleaning products containing acids or abrasive substances.

Deterioration of surface with finishes other than chrome plating. Their durability is, in fact, dependent on the user's care and gentleness of use.

Deterioration of the fitting due incorrect installation.

Improper repairs and maintenance performed without the company's prior authorization.

The warranty from IB Rubinetterie SpA is not renewable.

#### **Cleaning**

We recommended cleaning the finish surfaces with water and soap, using a soft cloth.

Do not use detergents that cointain hydrochloric acid or abrasive substances.