

Collection

BRERA

Article

RR220

Description

Monohole bidet mixer

Box Dimensions

340x180x70 mm

Weight

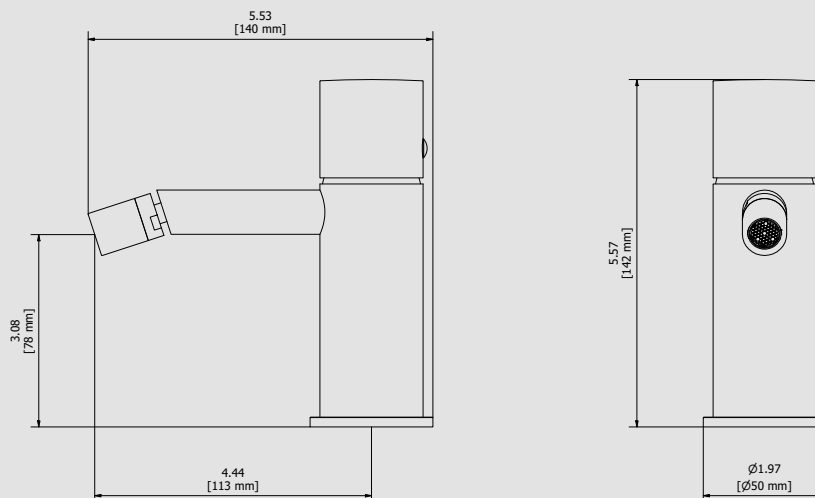
1.6 kg

Finishes

- **CC**
CHROME
- **PL**
PLATINUM
- **SS**
BRUSHED
NICKEL
- **ON**
NATURAL
BRASS
- **BO**
MATT
WHITE
- **NP**
MATT
BLACK
- **CF**
BLACK
CHROME
- **CS**
BRUSHED
BLACK
CHROME
- **II**
PALE
GOLD
- **IS**
BRUSHED
PALE GOLD
- **RS**
ROSE
GOLD
- **SR**
BRUSHED
ROSE GOLD
- **OO**
GOLD
- **OS**
BRUSHED
GOLD
- **RR**
ANTIQUÉ
COPPER
- **MB**
MODERN
BRONZE



Dimensions



Cartridge

Ø25 ceramic cartridge

Threaded fitting

Inox hoses G3\8" female 450 mms long

Aerator

M16.5x1

Flow Rate (+/-10%)

1 BAR
5.9 l\m

2 BAR
8.4 l\m

3 BAR
10.3 l\m

Production

Main body is a machined from a solid pieces

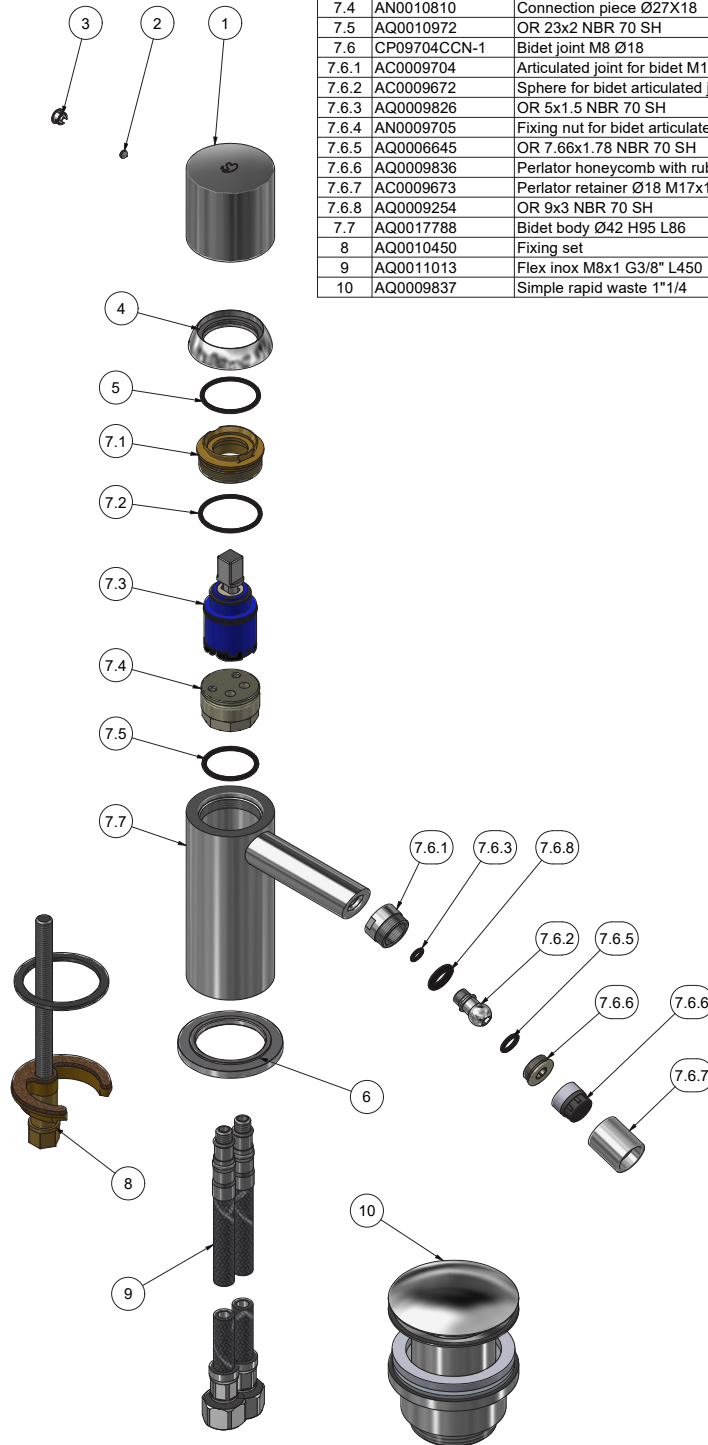
Material

BRASS
According to CuZn42 (CW510L)
Max Lead content: 0.2%



WE ARE IB

Parts list				
ITEMS	CODE	DESCRIPTION	FIN	QTA
1	AC0017970-TI	Handle Ø45 H40	F	1
2	AQ0013221	Grubscrew M4x3 cone point	-	1
3	AQ0006650	Plug cover Ø7	F	1
4	AC0012842	Cartridge fixing nut chromed cover	F	1
5	AQ0006586	OR 25.12x1.78 NBR 70 SH	-	1
6	AC0010787	Base Ø5 H5	F	1
7	CPMT220CC-22	Preassembled bidet	-	1
7.1	AS0011353	Cartridge fixing nut M30x1 H14.35	G	1
7.2	AQ0010564	OR 26.7x1.78 NBR 70 SH	-	1
7.3	AQ0016764	Cartridge Ø25 open 9x9 (KH25OPS A4US)	-	1
7.4	AN0010810	Connection piece Ø27X18	N	1
7.5	AQ0010972	OR 23x2 NBR 70 SH	-	1
7.6	CP09704CCN-1	Bidet joint M8 Ø18	-	1
7.6.1	AC0009704	Articulated joint for bidet M17x1 M14x1 H12	F	1
7.6.2	AC0009672	Sphere for bidet articulated joint Ø11 M8 H19.5	F	1
7.6.3	AQ0009826	OR 5x1.5 NBR 70 SH	-	1
7.6.4	AN0009705	Fixing nut for bidet articulated joint Ø15.6 M14x1 H5.7	N	1
7.6.5	AQ0006645	OR 7.66x1.78 NBR 70 SH	-	1
7.6.6	AQ0009836	Perlator honeycomb with rubber (44.3030.0)	-	1
7.6.7	AC0009673	Perlator retainer Ø18 M17x1 H20	F	1
7.6.8	AQ0009254	OR 9x3 NBR 70 SH	-	1
7.7	AQ0017788	Bidet body Ø42 H95 L86	F	1
8	AQ0010450	Fixing set	-	1
9	AQ0011013	Flex inox M8x1 G3/8" L450	-	2
10	AQ0009837	Simple rapid waste 1"1/4	F	1





WE ARE IB

WARRANTY

All IB Rubinetterie SpA products are warranted for 10 years from the date of purchase, for the following cases:

- Defects of casting, porosity and chrome plating.
- Operating defects caused by incorrect fabrication.

The warranty provides for repair or replacement of products with fabrication defects recognized by our technical office. There is no other type of compensation anche the merchandise must be returned FOB our warehouse. The warranty only cover surface defects (scartches, dings, etc.) on fitting that have not been installed and used, returned in its original packaging with all components. O-ring, gasket seals and components subject to wear proportional to use are warranted for 2 years.

The warranty is void in the following cases:

Error installing and putting the product into service.

Deterioration of finisched surfaces due to use of cleaning products containing acids or abrasive substances.

Deterioration of surface with finishes other than chrome plating. Their durability is, in fact, dependent on the user's care and gentleness of use.

Deterioration of the fitting due incorrect installation.

Improper repairs and maintenance performed without the company's prior authorization.

The warranty from IB Rubinetterie SpA is not renewable.

Cleaning

We recommended cleaning the finish surfaces with water and soap, using a soft cloth.

Do not use detergents that cointain hydrochloric acid or abrasive substances.