



WE ARE IB

Collection

Rubacuori

Article

RU202

Description

Tall monohole washbasin mixer complete with drain.



Box Dimensions

425x188x98 mm

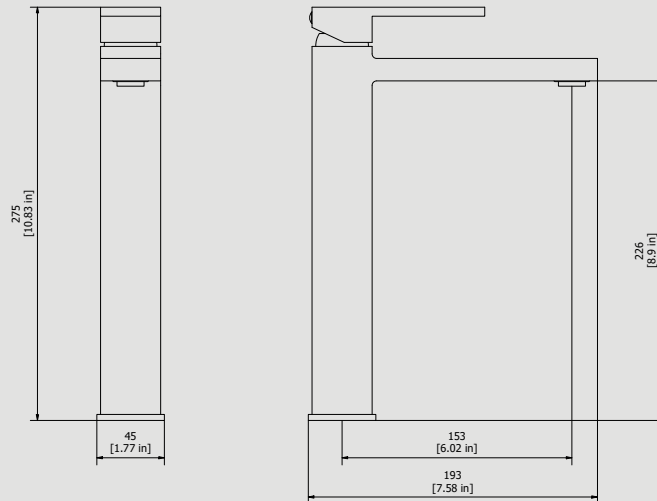
Weight

3.1 kg

Finishes

- **CC**
CHROME
- **CF**
BLACK CHROME
- **OO**
GOLD
- **MB**
MODERN BRONZE
- **SS**
BRUSHED NICKEL
- **CS**
BRUSHED BLACK CHROME
- **BO**
MATT WHITE
- **NP**
MATT BLACK
- **IS**
BRUSHED PALE GOLD
- **OS**
BRUSHED GOLD
- **II**
PALE GOLD
- **RR**
ANTIQUE COPPER
- **RS**
ROSE GOLD
- **ON**
NATURAL BRASS
- **SR**
BRUSHED ROSE GOLD
- **PL**
PLATINUM

Dimensions



Cartridge

Ø25 ceramic cartridge

Threaded fitting

Flex inox G3/8" L450mms

Aerator

M24x1

Flow Rate (+/-10%)

1 BAR 4.5 l/min	2 BAR 5 l/min	3 BAR 5.7 l/min
---------------------------	-------------------------	---------------------------

Production

Main body is a single hot stamped pieces

Material

BRASS
According to CuZn42 (CW510L)
Max lead content: 0.2%

IB RUBINETTERIE s.p.a
via dei Pianotti 3/5
25068 Sarezzo (BS) - Italy -

T. +39 030 802101
F. +39 030 803097
info@weareib.it

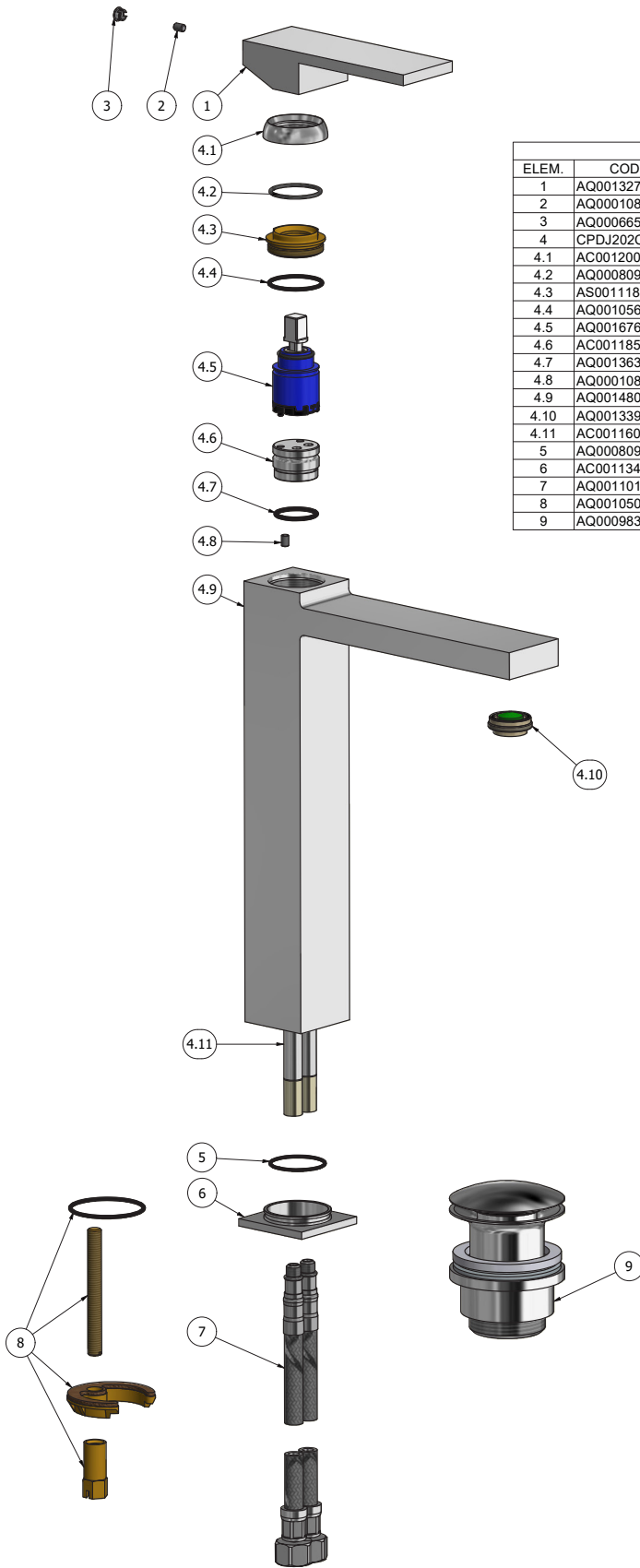
P.IVA 01785230986
capitale sociale
€420.000,00 i.v.

www.weareib.it





WE ARE IB



Elenco parti			
ELEM.	CODICE	NUMERO DI MAGAZZINO	QTÀ
1	AQ0013277	Zamack square handle 40x40x23.5x115	1
2	AQ0001081	Screw M4x6	1
3	AQ0006650	Plug cover Ø7	1
4	CPDJ202CC-10	Preassembled tall basin mixer	1
4.1	AC0012004	Cartridge fixing nut chromed cover	1
4.2	AQ0008091	O-Ring 28x1.5 NBR	1
4.3	AS0011182	Fixing nut M30x1 H17	1
4.4	AQ0010564	OR 26.7x1.78 NBR 70 SH	1
4.5	AQ0016764	Cartridge Ø25 open 9x9 (KH25OPS A4US)	1
4.6	AC0011859	Connection piece Ø24.9x17.5	1
4.7	AQ0013635	OR 20x2 NBR 70 SH	1
4.8	AQ0001081	Grubscrew M4x6 flat point	1
4.9	AQ0014802	Basin mixer 40x40 H245 L150	1
4.10	AQ0013390	Perlator NP slim M24x1 1.5 GPM (40.8356.01)	1
4.11	AC0011602	Extension pipe Ø10 M8x1 M M8x1 F L220	2
5	AQ0008091	OR 28x1.5 NBR 70 SH	1
6	AC0011343	Basin base 45x45x8,5	1
7	AQ0011013	Flex inox M8x1 G3/8" L450	2
8	AQ0010505	Fixing set	1
9	AQ0009837	Simple rapid waste 1"1/4	1



WE ARE IB

WARRANTY

All IB Rubinetterie SpA products are warranted for 10 years from the date of purchase, for the following cases:

- Defects of casting, porosity and chrome plating.
- Operating defects caused by incorrect fabrication.

The warranty provides for repair or replacement of products with fabrication defects recognized by our technical office. There is no other type of compensation anche the merchandise must be returned FOB our warehouse. The warranty only cover surface defects (scartches, dings, etc.) on fitting that have not been installed and used, returned in its original packaging with all components. O-ring, gasket seals and components subject to wear proportional to use are warranted for 2 years.

The warranty is void in the following cases:

Error installing and putting the product into service.

Deterioration of finisched surfaces due to use of cleaning products containing acids or abrasive substances.

Deterioration of surface with finishes other than chrome plating. Their durability is, in fact, dependent on the user's care and gentleness of use.

Deterioration of the fitting due incorrect installation.

Improper repairs and maintenance performed without the company's prior authorization.

The warranty from IB Rubinetterie SpA is not renewable.

Cleaning

We recommanded cleaning the finish surfaces with water and soap, using a soft cloth.

Do not use detergents that cointain hydrochloric acid or abrasive substances.