



WE ARE IB

Collection

Rubacuori

Article

RU220

Description

Monohole bidet mixer complete with drain

Box Dimensions

340x180x70 mm

Weight

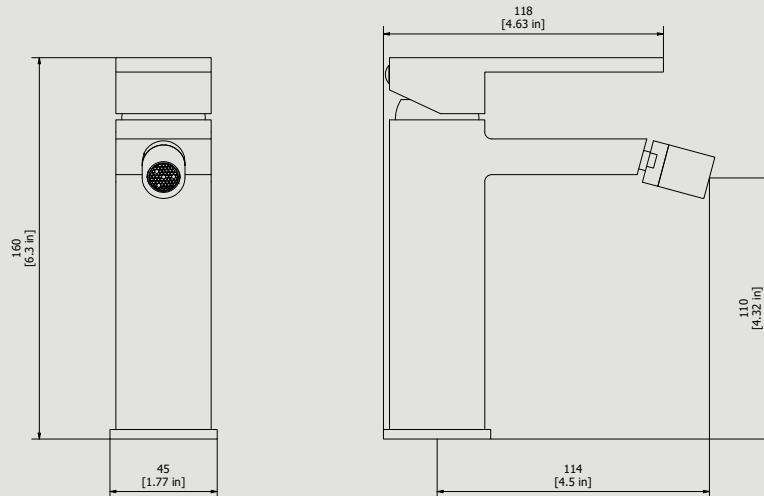
2.3 kg

Finishes

- **CC**
CHROME
- **CF**
BLACK CHROME
- **OO**
GOLD
- **MB**
MODERN BRONZE
- **SS**
BRUSHED NICKEL
- **CS**
BRUSHED BLACK CHROME
- **BO**
MATT WHITE
- **NP**
MATT BLACK
- **IS**
BRUSHED PALE GOLD
- **OS**
BRUSHED GOLD
- **II**
PALE GOLD
- **RR**
ANTIQUE COPPER
- **RS**
ROSE GOLD
- **ON**
NATURAL BRASS
- **SR**
BRUSHED ROSE GOLD
- **PL**
PLATINUM



Dimensions



Cartridge

Ø25 ceramic cartridge

Threaded fitting

Flex inox G3/8" L450mms

Aerator

M17x1

Flow Rate (+/-10%)

1 BAR	2 BAR	3 BAR
7 l/min	9.5 l/min	12 l/min

Production

Main body is a single hot stamped pieces

Material

BRASS
According to CuZn42 (CW510L)
Max lead content: 0.2%

IB RUBINETTERIE s.p.a
via dei Pianotti 3/5
25068 Sarezzo (BS) - Italy -

T. +39 030 802101
F. +39 030 803097
info@weareib.it

P.IVA 01785230986
capitale sociale
€420.000,00 i.v.

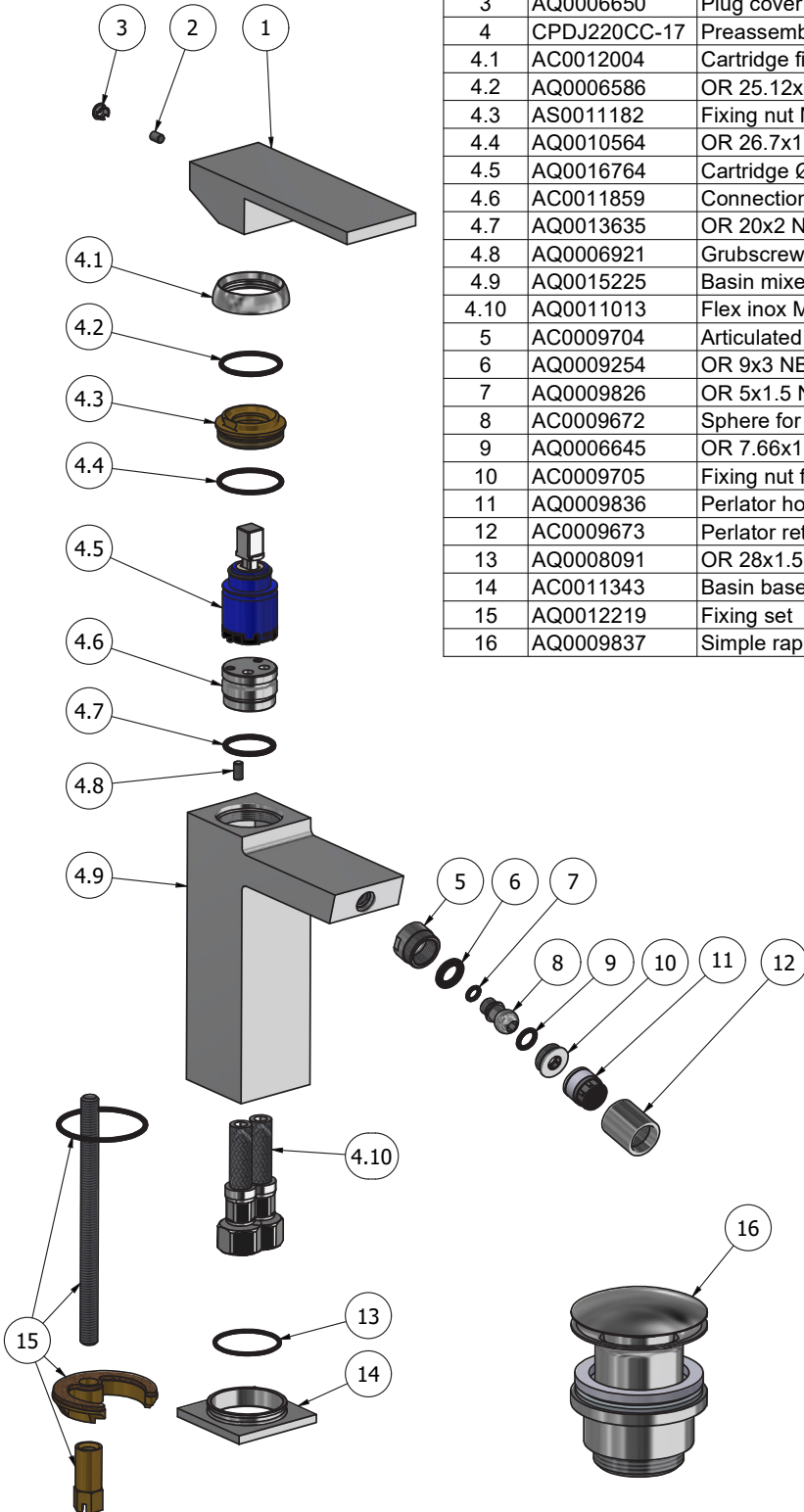
www.weareib.it





WE ARE IB

Parts list			
ELEM.	CODE	DESCRIPTION	QTA
1	AQ0013277	Zamack square handle 40x40x23.5x115	1
2	AQ0001081	Grubscrew M4x6 flat point	1
3	AQ0006650	Plug cover Ø7	1
4	CPDJ220CC-17	Preassembled bidet	1
4.1	AC0012004	Cartridge fixing nut chromed cover	1
4.2	AQ0006586	OR 25.12x1.78 NBR 70 SH	1
4.3	AS0011182	Fixing nut M30x1 H17	1
4.4	AQ0010564	OR 26.7x1.78 NBR 70 SH	1
4.5	AQ0016764	Cartridge Ø25 open 9x9 (KH25OPS A4US)	1
4.6	AC0011859	Connection piece Ø24.9X17.5	1
4.7	AQ0013635	OR 20x2 NBR 70 SH	1
4.8	AQ0006921	Grubscrew M4x8 flat point	1
4.9	AQ0015225	Basin mixer 40x40 H130 L108	1
4.10	AQ0011013	Flex inox M8x1 G3/8" L450	2
5	AC0009704	Articulated joint for bidet M17x1 M14x1 H12	1
6	AQ0009254	OR 9x3 NBR 70 SH	1
7	AQ0009826	OR 5x1.5 NBR 70 SH	1
8	AC0009672	Sphere for bidet articulated joint Ø11 M8 H19.5	1
9	AQ0006645	OR 7.66x1.78 NBR 70 SH	1
10	AC0009705	Fixing nut for bidet articulated joint Ø15.6 M14x1 H5.7	1
11	AQ0009836	Perlator honeycomb with rubber (44.3030.0)	1
12	AC0009673	Perlator retainer Ø18 M17x1 H20	1
13	AQ0008091	OR 28x1.5 NBR 70 SH	1
14	AC0011343	Basin base 45x45x8,5	1
15	AQ0012219	Fixing set	1
16	AQ0009837	Simple rapid waste 1"1/4	1





WE ARE IB

WARRANTY

All IB Rubinetterie SpA products are warranted for 10 years from the date of purchase, for the following cases:

- Defects of casting, porosity and chrome plating.
- Operating defects caused by incorrect fabrication.

The warranty provides for repair or replacement of products with fabrication defects recognized by our technical office. There is no other type of compensation anche the merchandise must be returned FOB our warehouse. The warranty only cover surface defects (scartches, dings, etc.) on fitting that have not been installed and used, returned in its original packaging with all components. O-ring, gasket seals and components subject to wear proportional to use are warranted for 2 years.

The warranty is void in the following cases:

Error installing and putting the product into service.

Deterioration of finished surfaces due to use of cleaning products containing acids or abrasive substances.

Deterioration of surface with finishes other than chrome plating. Their durability is, in fact, dependent on the user's care and gentleness of use.

Deterioration of the fitting due incorrect installation.

Improper repairs and maintenance performed without the company's prior authorization.

The warranty from IB Rubinetterie SpA is not renewable.

Cleaning

We recommanded cleaning the finish surfaces with water and soap, using a soft cloth.

Do not use detergents that cointain hydrochloric acid or abrasive substances.