



WE ARE IB

Collection

REFLEX

Article

RX220

Description

Monohole bidet hydroprogressive mixer.

Box Dimensions

340x180x70 mm

Weight

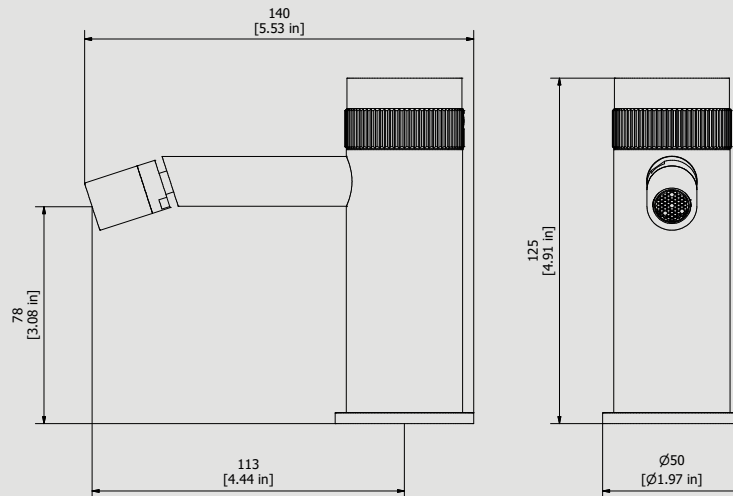
1.6 kg

Finishes

- **CC** CHROME
- **CF** BLACK CHROME
- **OO** GOLD
- **MB** MODERN BRONZE
- **SS** BRUSHED NICKEL
- **CS** BRUSHED BLACK CHROME
- **BO** MATT WHITE
- **NP** MATT BLACK
- **IS** BRUSHED PALE GOLD
- **OS** BRUSHED GOLD
- **II** PALE GOLD
- **RR** ANTIQUE COPPER
- **RS** ROSE GOLD
- **ON** NATURAL BRASS
- **SR** BRUSHED ROSE GOLD
- **PL** PLATINUM



Dimensions



Cartridge

Ø25 ceramic cartridge

Hoses

Inox hoses G3/8" female 450 mms long

Aerator

M16.5x1

Flow Rate (+/-10%)

1 BAR	2 BAR	3 BAR
5.9 l/min	8.4 l/min	10.3 l/min

Production

Main body is a machined from a solid pieces

Material

BRASS
According to CuZn42 (CW510L)
Max Lead content: 0.2%

IB RUBINETTERIE s.p.a
via dei Pianotti 3/5
25068 Sarezzo (BS) - Italy -

T. +39 030 802101
F. +39 030 803097
info@weareib.it

P.IVA 01785230986
capitale sociale
€420.000,00 i.v.

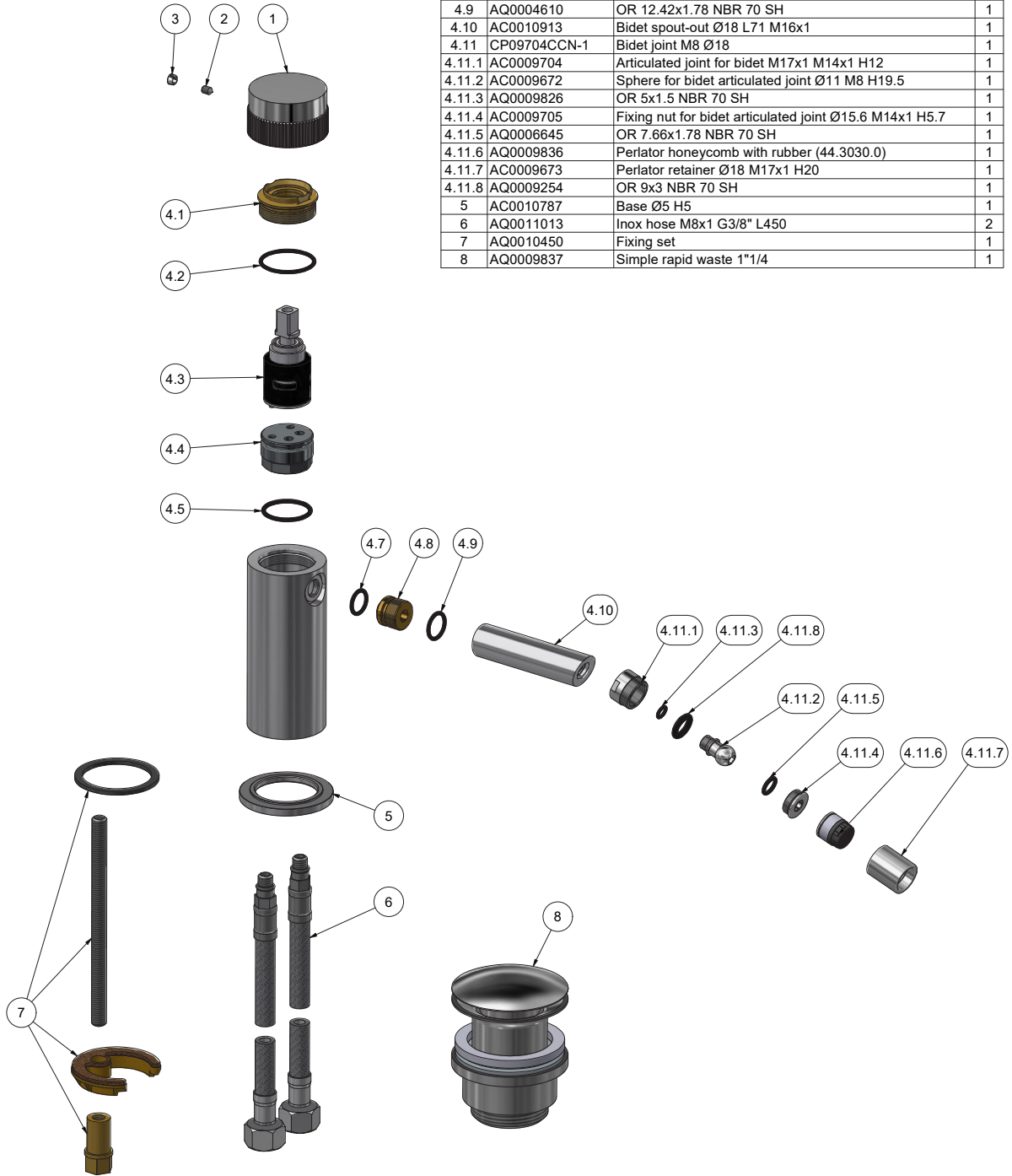
www.weareib.it





WE ARE IB

Parts list			
ELEM.	CODICE	NUMERO DI MAGAZZINO	QTÀ
1	AC0016780	Handle Ø43 H25.5 knurled 9x9	1
2	AQ0010444	Grubscrew M4x6 cone point	1
3	AQ0012203	Plug	1
4	CPKRX220CCX01	Preassembled bidet	1
4.1	AS0011353	Cartridge fixing nut M30x1 H14.35	1
4.2	AQ0010564	OR 26.7x1.78 NBR 70 SH	1
4.3	AQ0016781	Progressive cartridge Ø25 open 9x9 (ST232A001321039)	1
4.4	AN0010810	Connection piece Ø27X18	1
4.5	AQ0010972	OR 23x2 NBR 70 SH	1
4.6	AC0010785	Bath mixer body Ø42 H95	1
4.7	AQ0001350	OR 11.11x1.78 NBR 70 SH	1
4.8	AS0010783	Spout connection M16x1 M10x0.75 H15	1
4.9	AQ0004610	OR 12.42x1.78 NBR 70 SH	1
4.10	AC0010913	Bidet spout-out Ø18 L71 M16x1	1
4.11	CP09704CCN-1	Bidet joint M8 Ø18	1
4.11.1	AC0009704	Articulated joint for bidet M17x1 M14x1 H12	1
4.11.2	AC0009672	Sphere for bidet articulated joint Ø11 M8 H19.5	1
4.11.3	AQ0009826	OR 5x1.5 NBR 70 SH	1
4.11.4	AC0009705	Fixing nut for bidet articulated joint Ø15.6 M14x1 H5.7	1
4.11.5	AQ0006645	OR 7.66x1.78 NBR 70 SH	1
4.11.6	AQ0009836	Perlator honeycomb with rubber (44.3030.0)	1
4.11.7	AC0009673	Perlator retainer Ø18 M17x1 H20	1
4.11.8	AQ0009254	OR 9x3 NBR 70 SH	1
5	AC0010787	Base Ø5 H5	1
6	AQ0011013	Inox hose M8x1 G3/8" L450	2
7	AQ0010450	Fixing set	1
8	AQ0009837	Simple rapid waste 1"1/4	1





WE ARE IB

WARRANTY

All IB Rubinetterie SpA products are warranted for 10 years from the date of purchase, for the following cases:

- Defects of casting, porosity and chrome plating.
- Operating defects caused by incorrect fabrication.

The warranty provides for repair or replacement of products with fabrication defects recognized by our technical office. There is no other type of compensation anche the merchandise must be returned FOB our warehouse. The warranty only cover surface defects (scartches, dings, etc.) on fitting that have not been installed and used, returned in its original packaging with all components. O-ring, gasket seals and components subject to wear proportional to use are warranted for 2 years.

The warranty is void in the following cases:

Error installing and putting the product into service.

Deterioration of finished surfaces due to use of cleaning products containing acids or abrasive substances.

Deterioration of surface with finishes other than chrome plating. Their durability is, in fact, dependent on the user's care and gentleness of use.

Deterioration of the fitting due incorrect installation.

Improper repairs and maintenance performed without the company's prior authorization.

The warranty from IB Rubinetterie SpA is not renewable.

Cleaning

We recommanded cleaning the finish surfaces with water and soap, using a soft cloth.

Do not use detergents that cointain hydrochloric acid or abrasive substances.