



WE ARE IB

Collection

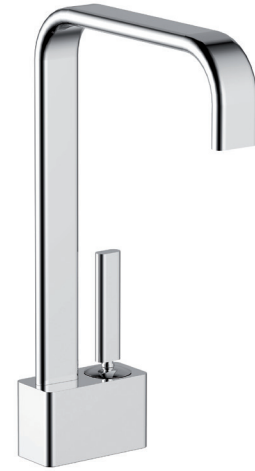
KITCHEN

Article

SB370

Description

Sink mixer.



Box Dimensions

400x250x140 mm

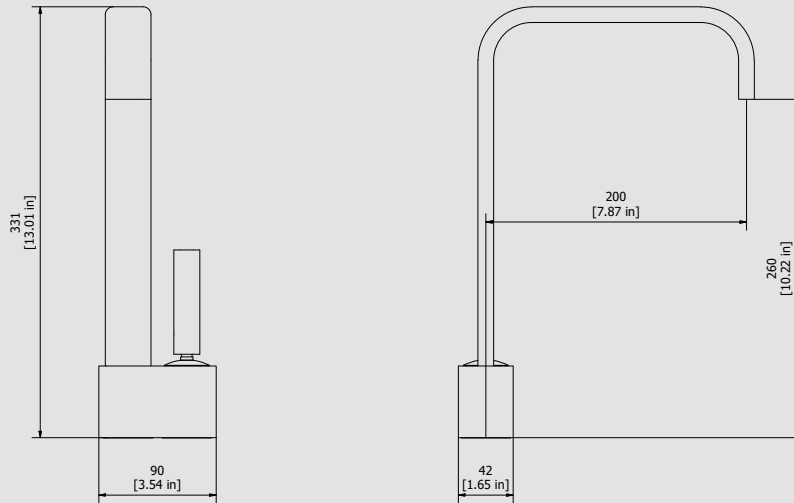
Weight

2.8 kg

Finishes

- **CC**
CHROME
- **PL**
PLATINUM
- **SS**
BRUSHED
NICKEL
- **ON**
NATURAL
BRASS
- **BO**
MATT
WHITE
- **NP**
MATT
BLACK
- **CF**
BLACK
CHROME
- **CS**
BRUSHED
BLACK
CHROME
- **II**
PALE
GOLD
- **IS**
BRUSHED
PALE GOLD
- **RS**
ROSE
GOLD
- **SR**
BRUSHED
ROSE GOLD
- **OO**
GOLD
- **OS**
BRUSHED
GOLD
- **RR**
ANTIQUÉ
COPPER
- **BB**
ANTIQUÉ
BRONZE

Dimensions



Cartridge

Ceramic cartridge open Ø25

Threaded fitting

Inox hose M10x1 G3/8" F L400

Aerator

-

Flow Rate (+/-10%)

1 BAR	2 BAR	3 BAR
10 l/m	14 l/m	17 l/m

Production

Main body is a single hot stamped pieces

Material

BRASS
According to CuZn39Pb3 (CW614N)
Max Lead content: 2.5%

IB RUBINETTERIE s.p.a
via dei Pianotti 3/5
25068 Sarezzo (BS) - Italy -

T. +39 030 802101
F. +39 030 803097
info@weareib.it

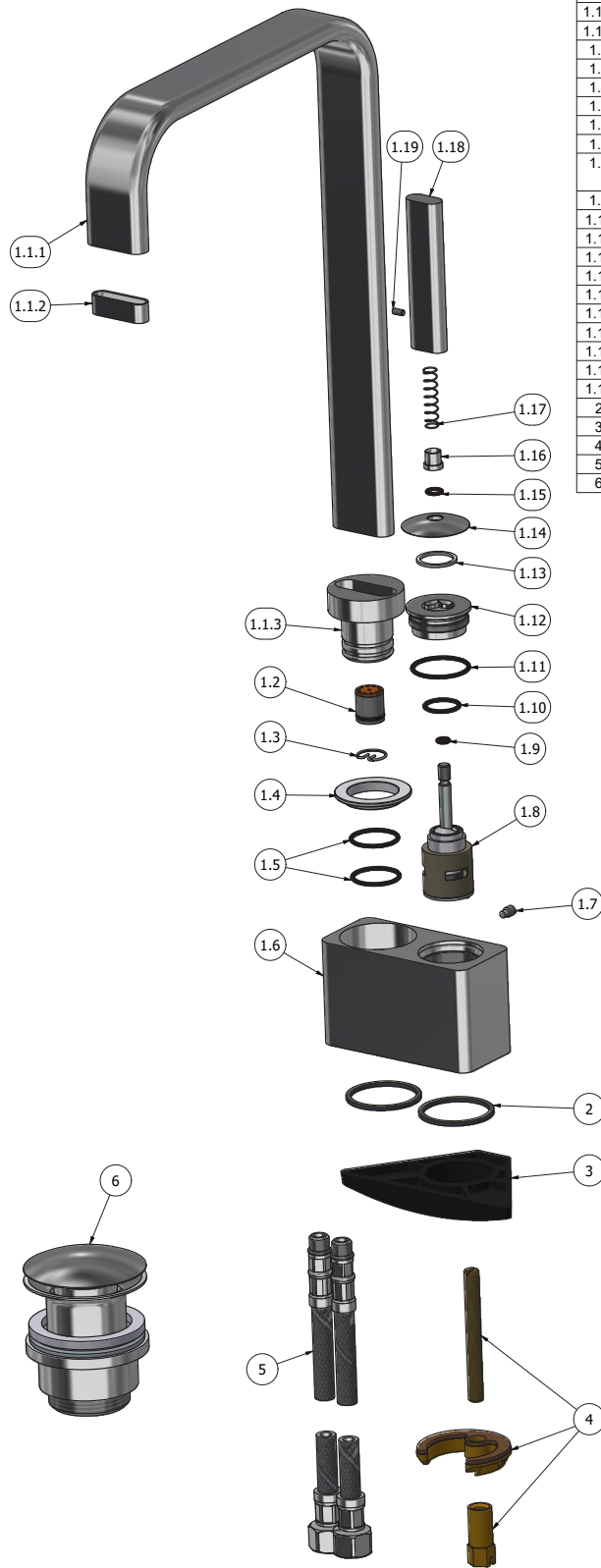
P.IVA 01785230986
capitale sociale
€420.000,00 i.v.

www.weareib.it





WE ARE IB



Parts list			
ELEM	CODE	DESCRIPTION	QT
1	CPKSB202CCX01	Tall washbasin SuperBox	1
1.1	AC0011102	Complete spout welded	1
1.1.1	AS0011102	Spout 35x12 L200 H286 R35	1
1.1.2	AS0011099	Insert for waterfall 36.2x9.6x10	1
1.1.3	AS0011098	Spout's support Ø38.85 Ø25.8 H36	1
1.2	AQ0011121	Valve reduction flow 10 LTM (31.4190.0)	1
1.3	AQ0009678	Elastic ring AISI 302	1
1.4	AQ0012088	Teflon ring Ø38.8xØ26 H5	1
1.5	AQ0006637	OR 21.95x1.78 NBR 70 SH	2
1.6	CC0002189	Washbasin body 90x55x42	1
1.7	AQ0007178	Grubscrew M5x8 half dog point	1
1.8	AQ0011012	Ceramic cartridge open Ø25 with M6 rod (ST 325)	1
1.9	AQ0007122	OR 3.69x1.78 NBR 70 SH	1
1.10	AQ0004600	OR 15.6x1.78 NBR 70 SH	1
1.11	AQ0010564	OR 26.7x1.78 NBR 70 SH	1
1.12	AC0010893	Cartridge fixing nut Ø32.8 H.13.5	1
1.13	AQ0011008	Teflon antifriction ring 20,4X17	1
1.14	AC0010892	Cartridge fixing nut sliding cover Ø34,5 H.4,2	1
1.15	AQ0001325	OR 6x1,5 NBR 70 SH	1
1.16	AC0011284	Plunger for lever Ø7.9 Ø9.5 H9 hole 6,5	1
1.17	AQ0013011	Spring L30 F0.5 Ø7	1
1.18	AC0011283	Washbasin lever 80x20x10	1
1.19	AQ0010525	Grubscrew M3x6 flat point	1
2	AQ0010274	Rubber packing Ø38x33.5x2	2
3	AQ0009184	Support base for sink	1
4	AQ0010357	Fixing set	1
5	AQ0000932	Inox hose M10x1 G3/8" F L400	2
6	AQ0009837	Simple rapid waste 1"1/4	1



WE ARE IB

WARRANTY

All IB Rubinetterie SpA products are warranted for 10 years from the date of purchase, for the following cases:

- Defects of casting, porosity and chrome plating.
- Operating defects caused by incorrect fabrication.

The warranty provides for repair or replacement of products with fabrication defects recognized by our technical office. There is no other type of compensation anche the merchandise must be returned FOB our warehouse. The warranty only cover surface defects (scartches, dings, etc.) on fitting that have not been installed and used, returned in its original packaging with all components. O-ring, gasket seals and components subject to wear proportional to use are warranted for 2 years.

The warranty is void in the following cases:

Error installing and putting the product into service.

Deterioration of finisched surfaces due to use of cleaning products containing acids or abrasive substances.

Deterioration of surface with finishes other than chrome plating. Their durability is, in fact, dependent on the user's care and gentleness of use.

Deterioration of the fitting due incorrect installation.

Improper repairs and maintenance performed without the company's prior authorization.

The warranty from IB Rubinetterie SpA is not renewable.

Cleaning

We recommended cleaning the finish surfaces with water and soap, using a soft cloth.

Do not use detergents that cointain hydrochloric acid or abrasive substances.