

Collection

TWITTER

Article

TW396

Description

Four holes deck mounted bath filler

Box Dimensions

360 x 220 x 150 mm

Weight

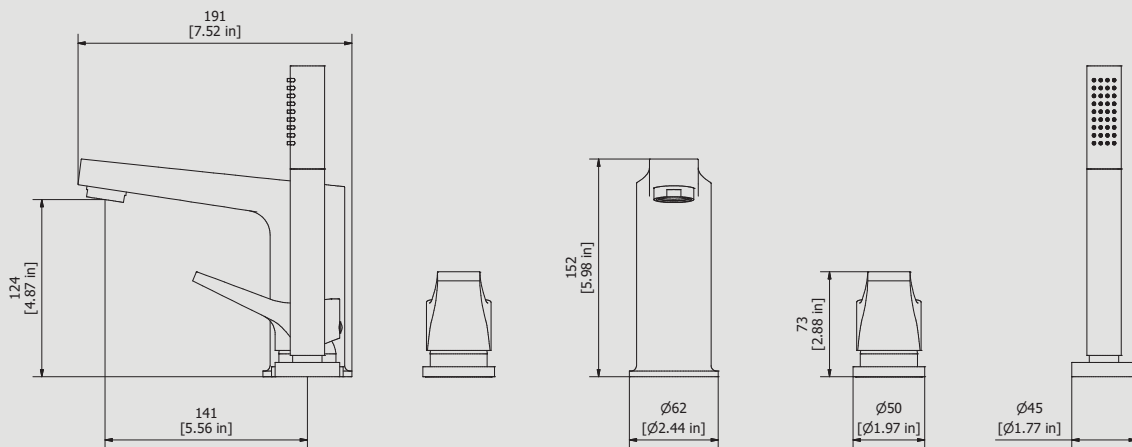
4.4 kg

Finishes

- **CC**
CHROME
- **CF**
BLACK CHROME
- **00**
GOLD
- **MB**
MODERN BRONZE
- **SS**
BRUSHED NICKEL
- **CS**
BRUSHED BLACK CHROME
- **BO**
MATT WHITE
- **NP**
MATT BLACK
- **IS**
BRUSHED PALE GOLD
- **OS**
BRUSHED GOLD
- **II**
PALE GOLD
- **RR**
ANTIQUE COPPER
- **ORS**
ROSE GOLD
- **ON**
NATURAL BRASS
- **SR**
BRUSHED ROSE GOLD
- **PL**
PLATINUM



Dimensions



Cartridge

Ø35 ceramic cartridge

Hoses

Inox hoses G1/2" female 300 mms long

Aerator

M28x1

Flow Rate (+/-10%)

1 BAR	2 BAR	3 BAR
13.8 l/min	19.2 l/min	23.6 l/min

Production

Main body is a single casted pieces

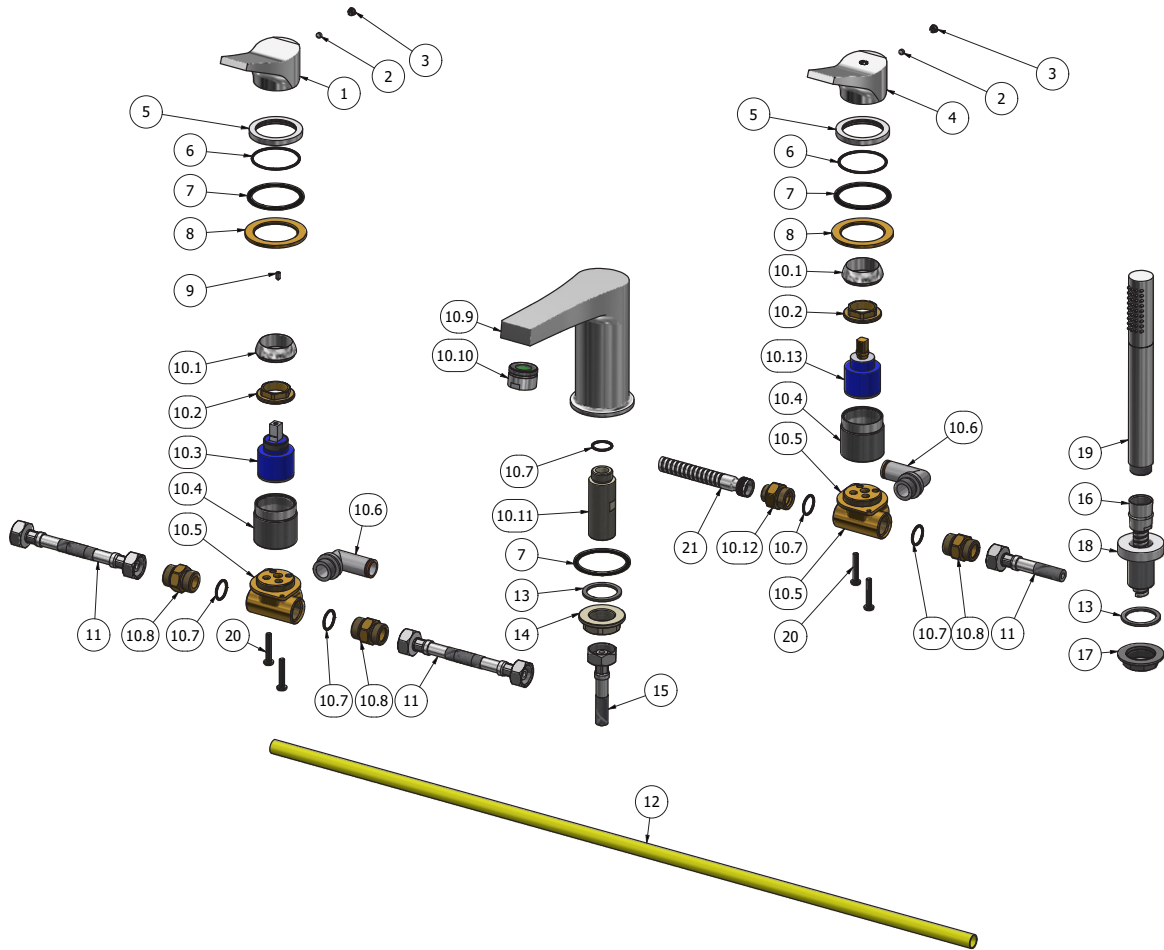
Material

BRASS
According to CuZn35Pb2Al-B (CB752S)
Max Lead content: 1.36%



IB RUBINETTI

Parts list				
ITEMS	CODE	DESCRIPTION	FIN	QTA
1	AQ0013641	Handle Ø45 H36 L102.5	F	1
2	AQ0009729	Grubscrew M5x5 cone point	-	2
3	AQ0006650	Plug cover Ø7	F	2
4	AQ0013641-TI	Handle Ø45 H36 L102.5	F	1
5	AC0011660	Fixing ring Ø52 H5.5 M42x1.5	F	2
6	AQ0010584	OR 44.17x1.78 NBR 70 SH	-	2
7	AQ0011028	Flat gasket Ø55 Ø47 H2	-	3
8	AS0011661	Support ring Ø60 Ø42.2 H3	G	2
9	AQ0006649	Grubscrew M4x8 cone point	-	1
10	CPTW396CC-1	Preassembled 3 hole bath side	-	1
10.1	AQ0003630	Cartridge ring nut cover M37x1.5	F	2
10.2	AQ0001040	Cartridge ring nut M37x1.5 H9	G	2
10.3	AQ0004095	Ceramic cartridge Ø35 9x9 (K35A)	-	1
10.4	AC0011662	Ring M42x1.5 M37x1.5 Ø40 H40.7	F	2
10.5	AQT010369	Recessed shower mixer body Ø35 DZR	G	2
10.6	AQ0013713	Connection piece L G1/2" Ø14 (2031019)	-	2
10.7	AQ0004630	OR 17.16x1.78 NBR 70 SH	-	5
10.8	AS0010301	Reduction G1/2" M G1/2" M with valve seat	G	3
10.9	CC0002215	Body for bath side Ø52 H133	F	1
10.10	AQ0009068	Neostrahl LP flow straightener - TF size (01.455.00001)	F	1
10.11	AN0011704	Threaded stem G3/4" G1/2" L70	N	1
10.12	AS0011227	Connection piece G1/2" M G3/8" M with valve seat	G	1
10.13	AQ0013143	Ceramic cartridge Ø35 9x9 (KDZ HTG)	-	1
11	AQ0006540	Inox hose G1/2" F G1/2" F L300	-	2
12	AQ0013714-1	Risina pipe PA11 DIN 74324 Ø14xØ12 L80 cm	-	1
13	AQ0009716	Rubber packing 38x30x2	-	2
14	AN0009900	Flange 3/4" H.13	N	1
15	AQ0013712	Inox hose G1/2" G3/4" F L400 DN13	-	1
16	AQ0017134	Hose G3/8" F G1/2" F cone	F	1
17	AQ0004710	Locknut PLS 3/4"	-	1
18	AC0011338	Handshower support Ø45	F	1
19	AQ0013557	Onair hand shower	F	1
20	AQ0009153	Inox screw M5x30 ISO 7045	-	4





WARRANTY

All IB Rubinetterie SpA products are warranted for 10 years from the date of purchase, for the following cases:

- Defects of casting, porosity and chrome plating.
- Operating defects caused by incorrect fabrication.

The warranty provides for repair or replacement of products with fabrication defects recognized by our technical office. There is no other type of compensation anche the merchandise must be returned FOB our warehouse. The warranty only cover surface defects (scartches, dings, etc.) on fitting that have not been installed and used, returned in its original packaging with all components. O-ring, gasket seals and components subject to wear proportional to use are warranted for 2 years.

The warranty is void in the following cases:

Error installing and putting the product into service.

Deterioration of finished surfaces due to use of cleaning products containing acids or abrasive substances.

Deterioration of surface with finishes other than chrome plating. Their durability is, in fact, dependent on the user's care and gentleness of use.

Deterioration of the fitting due incorrect installation.

Improper repairs and maintenance performed without the company's prior authorization.

The warranty from IB Rubinetterie SpA is not renewable.

Cleaning

We recommended cleaning the finish surfaces with water and soap, using a soft cloth.

Do not use detergents that cointain hydrochloric acid or abrasive substances.