



WE ARE IB

Collection

**TAAAC**

Article

**AA200**

Description

**Monohole washbasin mixer**

Box Dimensions

**340 x 180 x 70 mm**

Weight

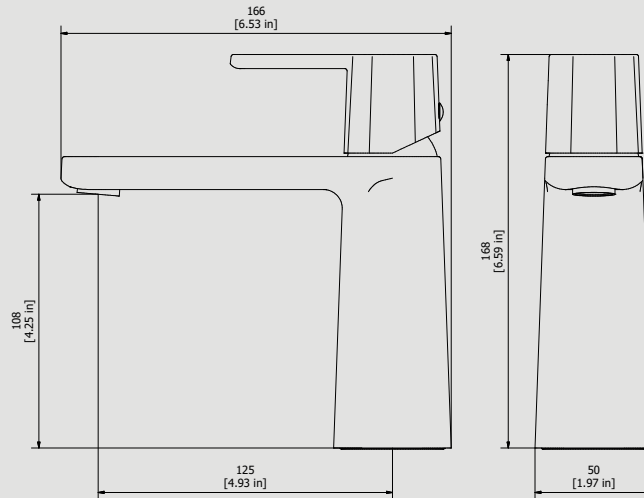
**2 kg**

Finishes

- **CC** CHROME
- **CF** BLACK CHROME
- **OO** GOLD
- **BB** ANTIQUE BRONZE
- **SS** BRUSHED NICKEL
- **CS** BRUSHED BLACK CHROME
- **BO** MATT WHITE
- **NP** MATT BLACK
- **IS** BRUSHED PALE GOLD
- **OS** BRUSHED GOLD
- **II** PALE GOLD
- **RR** ANTIQUE COPPER
- **ORS** ROSE GOLD
- **ON** NATURAL BRASS
- **SR** BRUSHED ROSE GOLD
- **PL** PLATINUM



Dimensions



Cartridge

**Ø35 ceramic cartridge**

Hoses

**Inox hoses G3\8" female 400 mms long**

Aerator

**M24x1**

Flow Rate (+/-10%)

<b>1 BAR</b>	<b>2 BAR</b>	<b>3 BAR</b>
<b>4.5 l/min</b>	<b>5 l/min</b>	<b>5 l/min</b>

Production

**Main body is a single casted pieces**

Material

**BRASS**  
According to CuZn35Pb2AL-B (CB752S)  
Max Lead content: 1.36%

IB RUBINETTERIE s.p.a  
via dei Pianotti 3/5  
25068 Sarezzo (BS) - Italy -

T. +39 030 802101  
F. +39 030 803097  
info@weareib.it

P.IVA 01785230986  
capitale sociale  
€420.000,00 i.v.

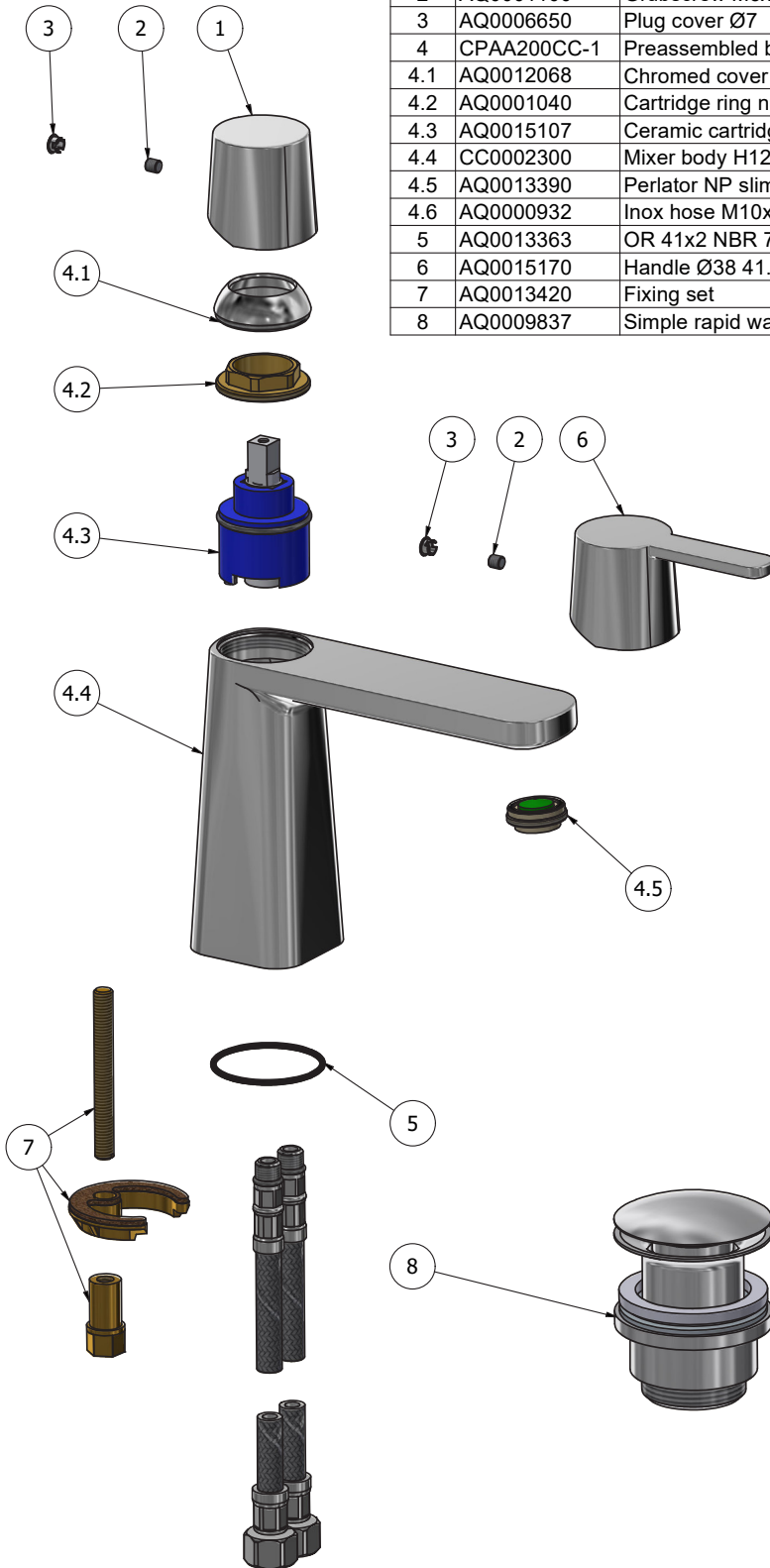
www.weareib.it





WE ARE IB

Parts list			
ELEM.	CODE	DESCRIPTION	QTA
1	AQ0015106	Handle Ø38 41.1x41.1 H42	1
2	AQ0001100	Grubscrew M5x5 flat point	2
3	AQ0006650	Plug cover Ø7	2
4	CPAA200CC-1	Preassembled basin mixer	1
4.1	AQ0012068	Chromed cover nut Ø38,2 M37x1,5	1
4.2	AQ0001040	Cartridge ring nut M37x1.5 H9	1
4.3	AQ0015107	Ceramic cartridge Ø35 with distributor (K-35 OP)	1
4.4	CC0002300	Mixer body H124 L166	1
4.5	AQ0013390	Perlator NP slim M24x1 1.5 GPM (40.8356.01)	1
4.6	AQ0000932	Inox hose M10x1 G3/8" F L400	2
5	AQ0013363	OR 41x2 NBR 70 SH	1
6	AQ0015170	Handle Ø38 41.1x41.1 H42 L89	1
7	AQ0013420	Fixing set	1
8	AQ0009837	Simple rapid waste 1"1/4	1





WE ARE IB

### **WARRANTY**

All IB Rubinetterie SpA products are warranted for 10 years from the date of purchase, for the following cases:

- Defects of casting, porosity and chrome plating.
- Operating defects caused by incorrect fabrication.

The warranty provides for repair or replacement of products with fabrication defects recognized by our technical office. There is no other type of compensation anche the merchandise must be returned FOB our warehouse. The warranty only cover surface defects (scartches, dings, etc.) on fitting that have not been installed and used, returned in its original packaging with all components. O-ring, gasket seals and components subject to wear proportional to use are warranted for 2 years.

#### **The warranty is void in the following cases:**

Error installing and putting the product into service.

Deterioration of finisched surfaces due to use of cleaning products containing acids or abrasive substances.

Deterioration of surface with finishes other than chrome plating. Their durability is, in fact, dependent on the user's care and gentleness of use.

Deterioration of the fitting due incorrect installation.

Improper repairs and maintenance performed without the company's prior authorization.

The warranty from IB Rubinetterie SpA is not renewable.

#### **Cleaning**

We recommanded cleaning the finish surfaces with water and soap, using a soft cloth.

Do not use detergents that cointain hydrochloric acid or abrasive substances.