



WE ARE IB

Collection

TAAAC

Article

AA323_23

Description

Wall mounted spout with diverter.

Box Dimensions

150x190x98 mm

Weight

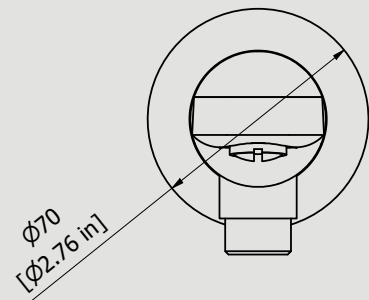
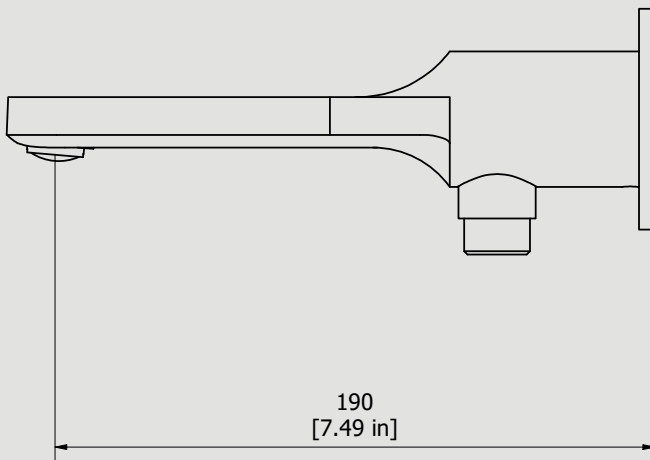
1.1 kg

Finishes

- **CC** CHROME
- **CF** BLACK CHROME
- **OO** GOLD
- **BB** ANTIQUE BRONZE
- **SS** BRUSHED NICKEL
- **CS** BRUSHED BLACK CHROME
- **BO** MATT WHITE
- **NP** MATT BLACK
- **IS** BRUSHED PALE GOLD
- **OS** BRUSHED GOLD
- **II** PALE GOLD
- **RR** ANTIQUE COPPER
- **ORS** ROSE GOLD
- **ON** NATURAL BRASS
- **SR** BRUSHED ROSE GOLD
- **PL** PLATINUM



Dimensions



Cartridge

-

Threaded fitting

Treaded fitting G1/2" male

Aerator

M24x1

Flow Rate (+/-10%)

1 BAR
29.2 l/min

2 BAR
41.3 l/min

3 BAR
50.6 l/min

Production

Main body is a single casted pieces

Material

BRASS
According to CuZn35Pb2AL-B (CB752S)
Max Lead content: 1.36%

IB RUBINETTERIE s.p.a
via dei Pianotti 3/5
25068 Sarezzo (BS) - Italy -

T. +39 030 802101
F. +39 030 803097
info@weareib.it

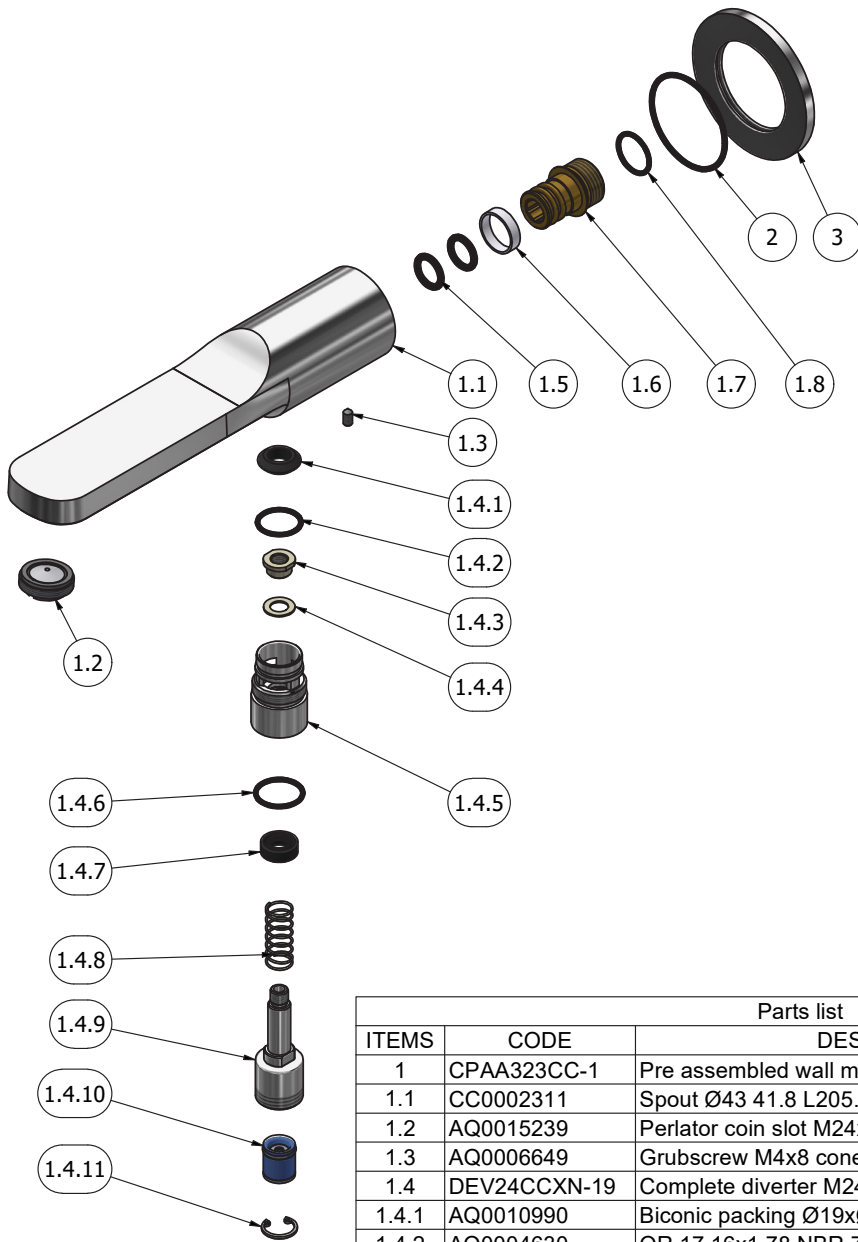
P.IVA 01785230986
capitale sociale
€420.000,00 i.v.

www.weareib.it





WE ARE IB



Parts list

ITEMS	CODE	DESCRIPTION	FIN	QTÀ
1	CPAA323CC-1	Pre assembled wall mounted spout		1
1.1	CC0002311	Spout Ø43 41.8 L205.5 with diverter	F	1
1.2	AQ0015239	Perlator coin slot M24x1 (45.2100.000)	-	1
1.3	AQ0006649	Grubscrew M4x8 cone point	-	1
1.4	DEV24CCXN-19	Complete diverter M24x1 G1/2"	F	1
1.4.1	AQ0010990	Biconic packing Ø19xØ10.5x5.5	-	1
1.4.2	AQ0004630	OR 17.16x1.78 NBR 70 SH	-	1
1.4.3	AN0010832	Biconic insert M8x1 H7 CH13	N	1
1.4.4	AN0010886	Washer Ø13.8xØ8.1x0.7	N	1
1.4.5	AC0010833	Diverter body M24x1 H36.2	F	1
1.4.6	AQ0004640	OR 18.77x1.78 NBR 70 SH	-	1
1.4.7	AQ0010992	Diverter rod packing	-	1
1.4.8	AQ0010991	Spring Ø12 H29.5	-	1
1.4.9	AC0013071	Rod with connection for diverter G1 / 2 " place vnr	F	1
1.4.10	AQ0009090	Not return valve Ø14 (31.4114.00001)	-	1
1.4.11	AQ0015793	Seeger DIN 472 - 15x1	-	1
1.5	AQ0001360	OR 11.91x2.62 NBR 70 SH	-	2
1.6	AQ0010435	Teflon ring Ø19,9 x 5	-	1
1.7	AS0010397	Linking piece for spout G1/2"	G	1
1.8	AQ0004630	OR 17.16x1.78 NBR 70 SH	-	1
2	AQ0009984	OR 43x2 NBR 70 SH	-	1
3	AC0018089	Ring Ø70 Ø43.5 H5	F	1



WE ARE IB

WARRANTY

All IB Rubinetterie SpA products are warranted for 10 years from the date of purchase, for the following cases:

- Defects of casting, porosity and chrome plating.
- Operating defects caused by incorrect fabrication.

The warranty provides for repair or replacement of products with fabrication defects recognized by our technical office. There is no other type of compensation anche the merchandise must be returned FOB our warehouse. The warranty only cover surface defects (scartches, dings, etc.) on fitting that have not been installed and used, returned in its original packaging with all components. O-ring, gasket seals and components subject to wear proportional to use are warranted for 2 years.

The warranty is void in the following cases:

Error installing and putting the product into service.

Deterioration of finished surfaces due to use of cleaning products containing acids or abrasive substances.

Deterioration of surface with finishes other than chrome plating. Their durability is, in fact, dependent on the user's care and gentleness of use.

Deterioration of the fitting due incorrect installation.

Improper repairs and maintenance performed without the company's prior authorization.

The warranty from IB Rubinetterie SpA is not renewable.

Cleaning

We recommanded cleaning the finish surfaces with water and soap, using a soft cloth.

Do not use detergents that cointain hydrochloric acid or abrasive substances.