



WE ARE IB

Collection

ACCIAIO

Article

AC381

Description

Lateral lever and extractible shower sink mixer.

Box Dimensions

685x345x168 mm

Weight

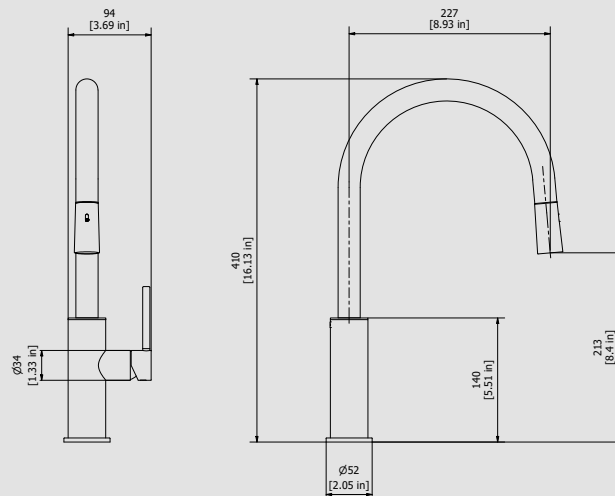
3.0 kg

Finishes

- CC**
CHROME
- PL**
PLATINUM
- SS**
BRUSHED
NICKEL
- ON**
NATURAL
BRASS
- BO**
MATT
WHITE
- NP**
MATT
BLACK
- CF**
BLACK
CHROME
- CS**
BRUSHED
BLACK
CHROME
- II**
PALE
GOLD
- IS**
BRUSHED
PALE GOLD
- RS**
ROSE
GOLD
- SR**
BRUSHED
ROSE GOLD
- OO**
GOLD
- OS**
BRUSHED
GOLD
- RR**
ANTIQUÉ
COPPER
- BB**
ANTIQUÉ
BRONZE



Dimensions



Cartridge

$\varnothing 25$ ceramic cartridge

Threaded fitting

Inox hoses G3\8" female

Aerator

Extractible shower

Flow Rate (+/-10%)

1 BAR	2 BAR	3 BAR
6 l\m	7 l\m	9 l\m

Production

Main body is a single hot stamped pieces

Material

**STAINLESS STEEL
AISI 316**

IB RUBINETTERIE s.p.a
via dei Pianotti 3/5
25068 Sarezzo (BS) - Italy -

T. +39 030 802101
F. +39 030 803097
info@weareib.it

P.IVA 01785230986
capitale sociale
€420.000,00 i.v.

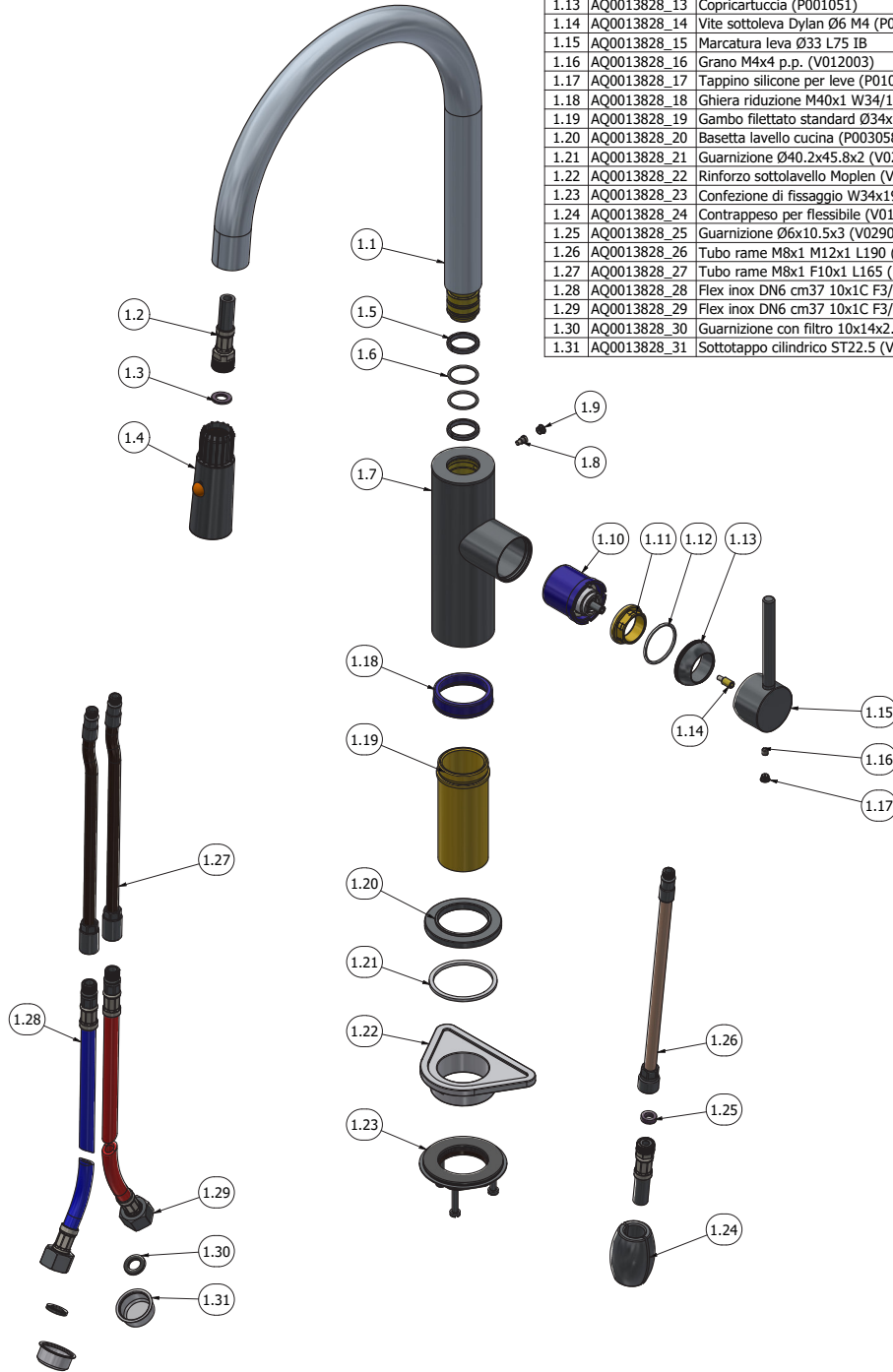
www.weareib.it





WE ARE IB

ELENCO PARTI			
ELEM.	CODICE	DESCRIZIONE	FIN QTA
1	AQ0013828	Misc.mon. lavello doccia estraibile (0010009)	- 1
1.1	AQ0013828_1	Canna estr. Ø25 H300 140° saldata (P001151)	F 1
1.2	AQ0013828_2	Flex Nylon 150cm M15x1 M12x1 P6 (V019101)	- 1
1.3	AQ0013828_3	Guarnizione Ø8x13.5x1.5 (V029003)	- 1
1.4	AQ0013828_4	Doccia micro F15x1 Sat. Con valvola (V013057S)	F 1
1.5	AQ0013828_5	Rondella di guida per canne 17.55x21.65x3.7 (V030011)	- 2
1.6	AQ0013828_6	O-ring 1.78x17.17 (V017008)	- 2
1.7	AQ0013828_7	Corpo lavello estraibile Dylan Sald. (P001142)	F 1
1.8	AQ0013828_8	Vite inox M4x6 (P039081)	- 1
1.9	AQ0013828_9	Placchetta Ø6.5 4 denti (V024025)	F 1
1.10	AQ0013828_10	Cartuccia Kerox 25 (V001077)	- 1
1.11	AQ0013828_11	Ghiera di serraggio M28x1 (P017039)	- 1
1.12	AQ0013828_12	O-ring 25.12x1.78 (V017037)	- 1
1.13	AQ0013828_13	Copricartuccia (P001051)	F 1
1.14	AQ0013828_14	Vite sottoleva Dylan Ø6 M4 (P001124)	- 1
1.15	AQ0013828_15	Marcatura leva Ø33 L75 IB	F 1
1.16	AQ0013828_16	Grano M4x4 p.p. (V012003)	- 1
1.17	AQ0013828_17	Tappino silicone per leve (P010007)	- 1
1.18	AQ0013828_18	Ghiera riduzione M40x1 W34/19°F (P001046)	- 1
1.19	AQ0013828_19	Gambo filettato standard Ø34x19°F (P001020)	- 1
1.20	AQ0013828_20	Basetta lavello cucina (P003058)	F 1
1.21	AQ0013828_21	Guarnizione Ø40.2x45.8x2 (V029055)	- 1
1.22	AQ0013828_22	Rinforzo sottolavello Moplen (V016015)	- 1
1.23	AQ0013828_23	Confezione di fissaggio W34x19°F (V016070S)	- 1
1.24	AQ0013828_24	Contrappeso per flessibile (V019019)	- 1
1.25	AQ0013828_25	Guarnizione Ø6x10.5x3 (V029004)	- 1
1.26	AQ0013828_26	Tubo rame M8x1 M12x1 L190 (P001116)	- 1
1.27	AQ0013828_27	Tubo rame M8x1 F10x1 L165 (P001115)	- 2
1.28	AQ0013828_28	Flex inox DN6 cm37 10x1C F3/8 DVGW B	- 1
1.29	AQ0013828_29	Flex inox DN6 cm37 10x1C F3/8 DVGW R	- 1
1.30	AQ0013828_30	Guarnizione con filtro 10x14x2.1 (V038002)	- 2
1.31	AQ0013828_31	Sottotappo cilindrico ST22.5 (V024002)	- 2





WE ARE IB

WARRANTY

All IB Rubinetterie SpA products are warranted for 10 years from the date of purchase, for the following cases:

- Defects of casting, porosity and chrome plating.
- Operating defects caused by incorrect fabrication.

The warranty provides for repair or replacement of products with fabrication defects recognized by our technical office. There is no other type of compensation anche the merchandise must be returned FOB our warehouse. The warranty only cover surface defects (scartches, dings, etc.) on fitting that have not been installed and used, returned in its original packaging with all components. O-ring, gasket seals and components subject to wear proportional to use are warranted for 2 years.

The warranty is void in the following cases:

Error installing and putting the product into service.

Deterioration of finisched surfaces due to use of cleaning products containing acids or abrasive substances.

Deterioration of surface with finishes other than chrome plating. Their durability is, in fact, dependent on the user's care and gentleness of use.

Deterioration of the fitting due incorrect installation.

Improper repairs and maintenance performed without the company's prior authorization.

The warranty from IB Rubinetterie SpA is not renewable.

Cleaning

We recommended cleaning the finish surfaces with water and soap, using a soft cloth.

Do not use detergents that cointain hydrochloric acid or abrasive substances.