



WE ARE IB

Collection

**BOLD**

Article

**B1209**

Description

**Mono hole wall mounted washbasin mixer**

Box Dimensions

**425 x 188 x 98 mm**

Weight

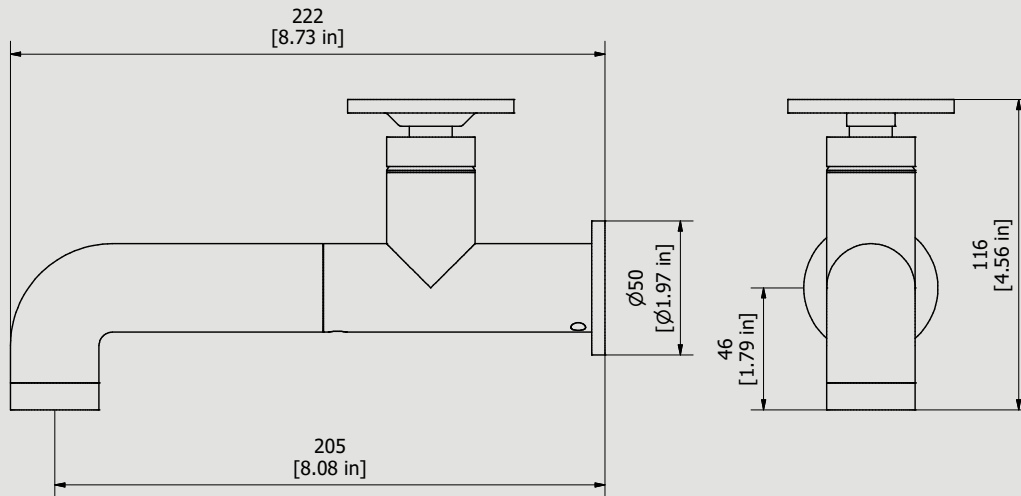
**2.1 kg**

Finishes

- **CC** CHROME
- **CF** BLACK CHROME
- **OO** GOLD
- **MB** MODERN BRONZE
- **SS** BRUSHED NICKEL
- **CS** BRUSHED BLACK CHROME
- **BO** MATT WHITE
- **NP** MATT BLACK
- **IS** BRUSHED PALE GOLD
- **OS** BRUSHED GOLD
- **II** PALE GOLD
- **RR** ANTIQUE COPPER
- **RS** ROSE GOLD
- **ON** NATURAL BRASS
- **SR** BRUSHED ROSE GOLD
- **PL** PLATINUM



Dimensions



Cartridge

**Ø25 ceramic cartridge**

Threaded fitting

**G1/2" male**

Aerator

**M24x1**

Flow Rate (+/-10%)

<b>1 BAR</b>	<b>2 BAR</b>	<b>3 BAR</b>
<b>3.3 l\min</b>	<b>4.4 l\min</b>	<b>4.5 l\min</b>

Production

**Main body is a single hot stamped pieces**

Material

**BRASS**  
According to CuZn42 (CW510L)  
Max Lead content: 0.2%

IB RUBINETTERIE s.p.a  
via dei Pianotti 3/5  
25068 Sarezzo (BS) - Italy -

T. +39 030 802101  
F. +39 030 803097  
info@weareib.it

P.IVA 01785230986  
capitale sociale  
€420.000,00 i.v.

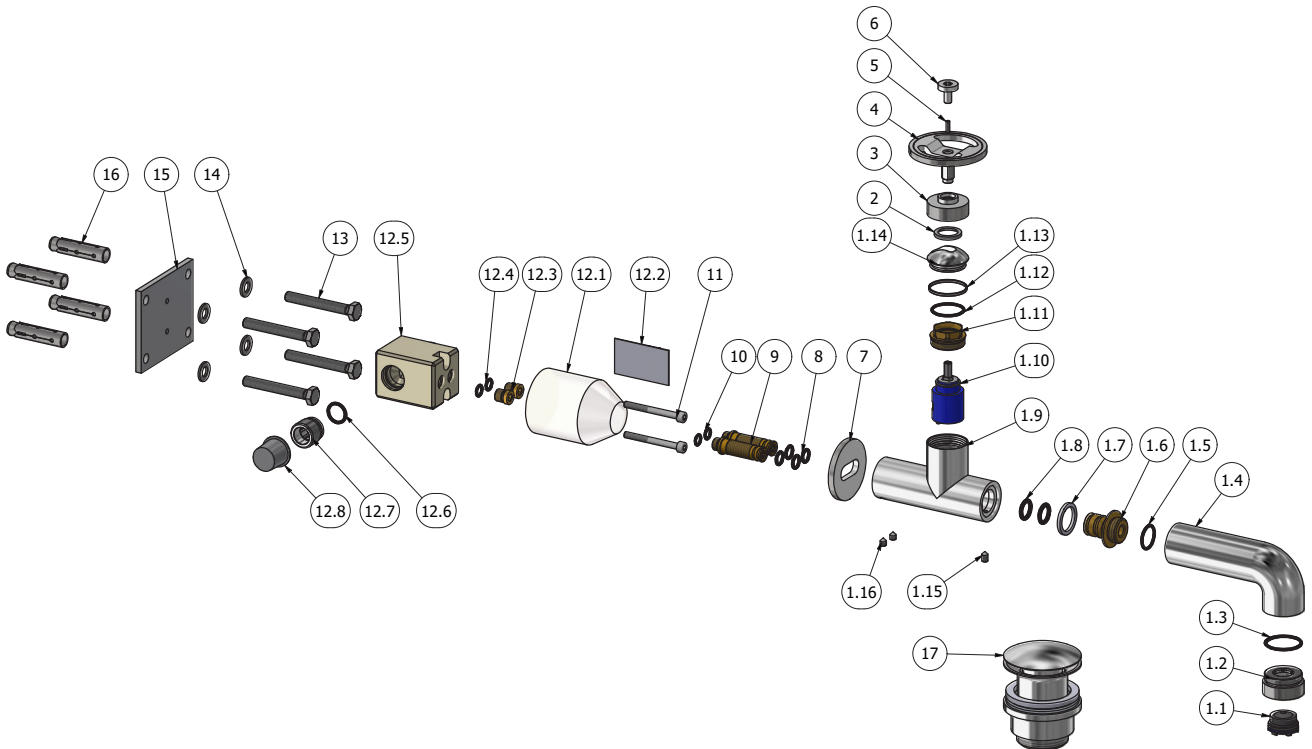
www.weareib.it





WE ARE IB

Parts list					Parts list				
ITEMS	CODE	DESCRIPTION	FIN	QTÀ	ITEMS	CODE	DESCRIPTION	FIN	QTÀ
1	CPBD209CC-1	Preassembled washbasin mixer wall mounted spout	F	1	8	AQ0014168	OR 8x2 NBR 70 SH	-	4
1.1	AQ0017304	Perlator cahcè laminar M24x1 1.5 GPM (40.2356.010)	-	1	9	AS0015173	Connection for faucet body Ø14 Ø11.9 L46	G	2
1.2	AC0017717	Support for aerator Ø33 M30x1.5 H17 knurled	F	1	10	AQ0012025	OR 6.35x1.78 NBR 70 SH	-	2
1.3	AQ0010564	OR 26.7x1.78 NBR 70 SH	-	1	11	AQ0013064	Inox screw M5x50	-	2
1.4	CC0002345	Spout Ø33 L116.5	F	1	12	CP15175CC-1	Preassembled Built-in single-hole washbasin on the wall	-	1
1.5	AQ0004630	OR 17.16x1.78 NBR 70 SH	-	1	12.1	AQ0000500	Protecting cap Ø50 H70.5	-	1
1.6	AS0015161	Insert for spout Ø30 G1/2" L30.4	G	1	12.2	AQ0017004	Label MIN MAX	-	1
1.7	AQ0007140	Antifriction ring Ø26 Ø20.3 H2.5	-	1	12.3	AS0010770	Plug M10x1 H12	G	2
1.8	AQ0001360	OR 11.91x2.62 NBR 70 SH	-	2	12.4	AQ0001330	OR 6.75x1.78 NBR 70 SH	-	2
1.9	CC0002271	Washbasin mixer body Ø33 H100 L59.5	F	1	12.5	AN0015175	Recessed body 40x40x55 M10x1	N	1
1.10	AQ0015157	Ceramic cartridge Ø25 closed Ø5.9 x 4.9 (K25 OPC B)	-	1	12.6	AQ0001390	OR 14x2 NBR 70 SH	-	2
1.11	AS0015162	Nut Ø28.5 H14.5 M27x1	G	1	12.7	AC0011892	Shower connection piece G1/2" M19x1 H19	F	2
1.12	AQ0009815	OR 23.52x1.78 NBR 70 SH	-	1	12.8	AQ0014112	Threaded protection 25x21x18	-	2
1.13	AQ0015158	Antifriction ring Ø30.8 Ø29 H2.2	-	1	13	AQ0015834	Inox screw M8x60 DIN933	-	4
1.14	AC0016153	Cover for nut Ø33 H14.8 R20	F	1	14	AQ0015570	Washer Ø8 Ø16 ISO 7089	-	4
1.15	AQ0010869	Grubscrew M5x8 cone point	-	1	15	AQ0014021	Fixing plate 70x80x5	-	1
1.16	AQ0014670	Grubscrew M5x6 cone point	-	2	16	AQ0009546	Inox rawlplug M8 Ø12 L50	-	4
2	AQ0015291	Antifriction ring Ø21.8 Ø16 H2.8	G	1	17	AQ0009837	Simple rapid waste 1"1/4	F	1
3	AC0015164	Handle's cover Ø33 H15 knurled	F	1					
4	CC0002275	Wheel Ø62 H30.5 M10x1 knurled	F	1					
5	AQ0015357	Grubscrew M3x10 flat point	-	1					
6	AC0015166	Screw Ø16 M3 H16	F	1					
7	AC0015172	Plate Ø50 H5 knurled	F	1					





WE ARE IB

### WARRANTY

All IB Rubinetterie SpA products are warranted for 10 years from the date of purchase, for the following cases:

- Defects of casting, porosity and chrome plating.
- Operating defects caused by incorrect fabrication.

The warranty provides for repair or replacement of products with fabrication defects recognized by our technical office. There is no other type of compensation anche the merchandise must be returned FOB our warehouse. The warranty only cover surface defects (scartches, dings, etc.) on fitting that have not been installed and used, returned in its original packaging with all components. O-ring, gasket seals and components subject to wear proportional to use are warranted for 2 years.

#### **The warranty is void in the following cases:**

Error installing and putting the product into service.

Deterioration of finished surfaces due to use of cleaning products containing acids or abrasive substances.

Deterioration of surface with finishes other than chrome plating. Their durability is, in fact, dependent on the user's care and gentleness of use.

Deterioration of the fitting due incorrect installation.

Improper repairs and maintenance performed without the company's prior authorization.

The warranty from IB Rubinetterie SpA is not renewable.

#### **Cleaning**

We recommended cleaning the finish surfaces with water and soap, using a soft cloth.

Do not use detergents that cointain hydrochloric acid or abrasive substances.