



WE ARE IB

Collection

BOLD

Article

B1400

Description

Two holes wall mounted shower

Box Dimensions

340 x 180 x 70 mm

Weight

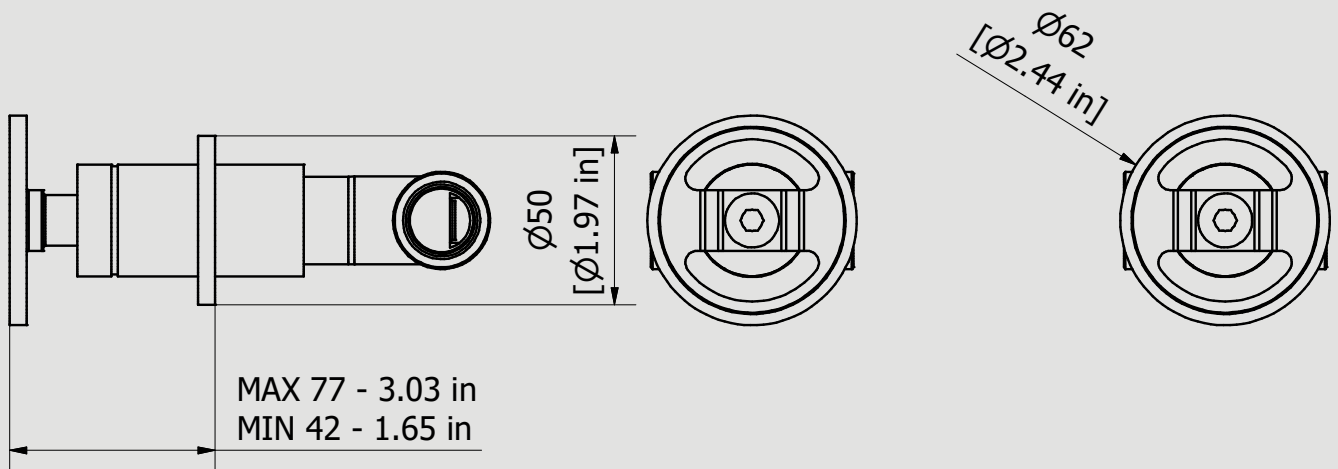
2.3 kg

Finishes

- **CC** CHROME
- **CF** BLACK CHROME
- **OO** GOLD
- **MB** MODERN BRONZE
- **SS** BRUSHED NICKEL
- **CS** BRUSHED BLACK CHROME
- **BO** MATT WHITE
- **NP** MATT BLACK
- **IS** BRUSHED PALE GOLD
- **OS** BRUSHED GOLD
- **II** PALE GOLD
- **RR** ANTIQUE COPPER
- **RS** ROSE GOLD
- **ON** NATURAL BRASS
- **SR** BRUSHED ROSE GOLD
- **PL** PLATINUM



Dimensions



Cartridge

G1/2" ceramic cartridge

Threaded fitting

G1/2" female

Aerator

Flow Rate (+/-10%)

**1 BAR
28 l/min**

**2 BAR
40 l/min**

**3 BAR
49.3 l/min**

Production

Main body is a single casted pieces

Material

**BRASS
According to CuZn35Pb2Al-B (CB752S)
Max Lead content: 1.36%**

IB RUBINETTERIE s.p.a
via dei Pianotti 3/5
25068 Sarezzo (BS) - Italy -

T. +39 030 802101
F. +39 030 803097
info@weareib.it

P.IVA 01785230986
capitale sociale
€420.000,00 i.v.

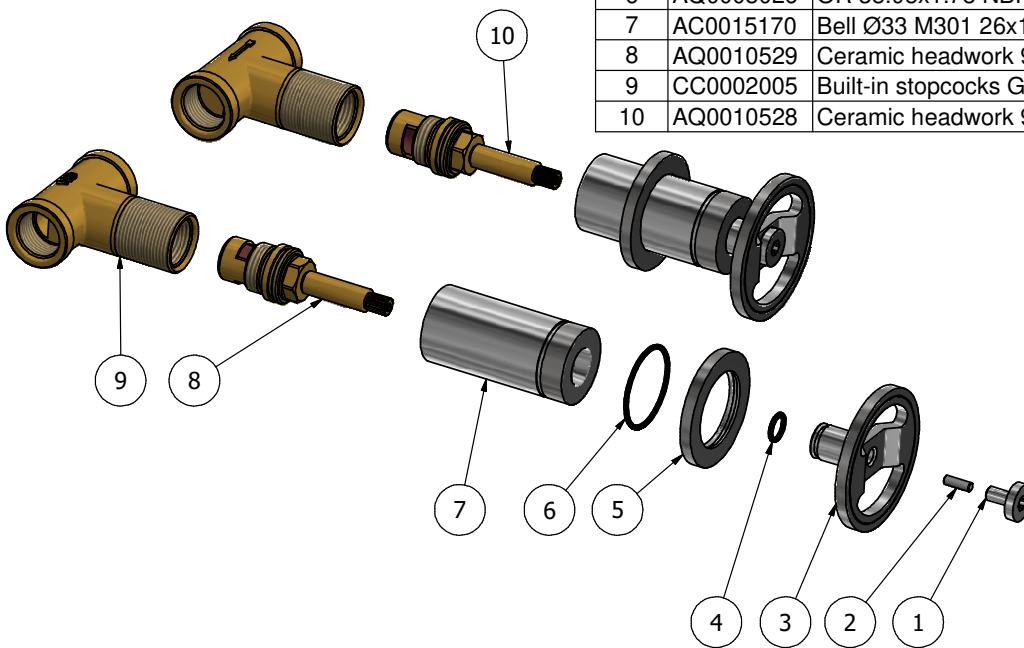
www.weareib.it





WE ARE IB

Parts list			
ELEM	CODE	DESCRIPTION	QT
1	AC0015171	Screw Ø16 M4 H16	2
2	AQ0014996	Grubscrew M4x12 flat point	2
3	CC0002277	Wheel Ø62 H30.5 8x20	2
4	AQ0004180	OR 9.25x1.78 NBR 70 SH	2
5	AC0015183	Ring Ø50 Ø33.5 H5 knurled	2
6	AQ0008026	OR 33.05x1.78 NBR 70 SH	2
7	AC0015170	Bell Ø33 M301 26x19 H67	2
8	AQ0010529	Ceramic headwork 90° SX H38.5 8x20	1
9	CC0002005	Built-in stopcocks G1/2"	2
10	AQ0010528	Ceramic headwork 90° DX H38.5 8x20	1





WE ARE IB

WARRANTY

All IB Rubinetterie SpA products are warranted for 10 years from the date of purchase, for the following cases:

- Defects of casting, porosity and chrome plating.
- Operating defects caused by incorrect fabrication.

The warranty provides for repair or replacement of products with fabrication defects recognized by our technical office. There is no other type of compensation anche the merchandise must be returned FOB our warehouse. The warranty only cover surface defects (scartches, dings, etc.) on fitting that have not been installed and used, returned in its original packaging with all components. O-ring, gasket seals and components subject to wear proportional to use are warranted for 2 years.

The warranty is void in the following cases:

Error installing and putting the product into service.

Deterioration of finished surfaces due to use of cleaning products containing acids or abrasive substances.

Deterioration of surface with finishes other than chrome plating. Their durability is, in fact, dependent on the user's care and gentleness of use.

Deterioration of the fitting due incorrect installation.

Improper repairs and maintenance performed without the company's prior authorization.

The warranty from IB Rubinetterie SpA is not renewable.

Cleaning

We recommended cleaning the finish surfaces with water and soap, using a soft cloth.

Do not use detergents that cointain hydrochloric acid or abrasive substances.