



WE ARE IB

Collection

BOLD

Article

B2205

Description

Monohole washbasin with two handles



Box Dimensions

353 x 225 x 226 mm

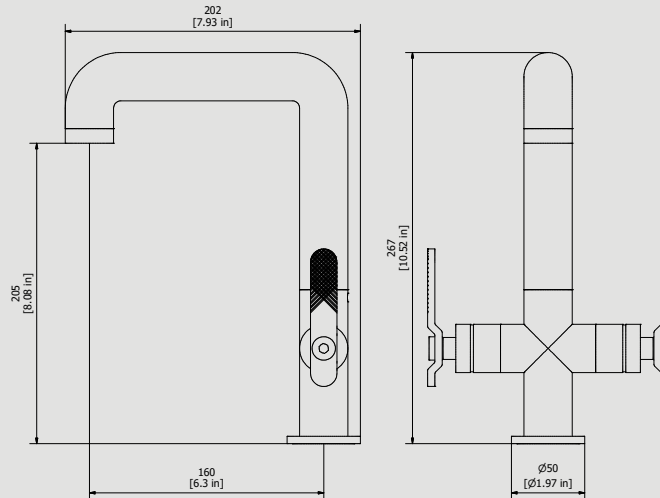
Weight

3.4 kg

Finishes

- **CC** CHROME
- **CF** BLACK CHROME
- **OO** GOLD
- **MB** MODERN BRONZE
- **SS** BRUSHED NICKEL
- **CS** BRUSHED BLACK CHROME
- **BO** MATT WHITE
- **NP** MATT BLACK
- **IS** BRUSHED PALE GOLD
- **OS** BRUSHED GOLD
- **II** PALE GOLD
- **RR** ANTIQUE COPPER
- **RS** ROSE GOLD
- **ON** NATURAL BRASS
- **SR** BRUSHED ROSE GOLD
- **PL** PLATINUM

Dimensions



Cartridge

Ø25 ceramic cartridge

Hoses

Inox hoses G3\8" female 450 mms long

Aerator

M24x1

Flow Rate (+/-10%)

1 BAR	2 BAR	3 BAR
3.3 l\min	4.4 l\min	4.5 l\min

Production

Main body is a single hot stamped pieces

Material

BRASS
According to CuZn42 (CW510L)
Max Lead content: 0.2%

IB RUBINETTERIE s.p.a
via dei Pianotti 3/5
25068 Sarezzo (BS) - Italy -

T. +39 030 802101
F. +39 030 803097
info@weareib.it

P.IVA 01785230986
capitale sociale
€420.000,00 i.v.

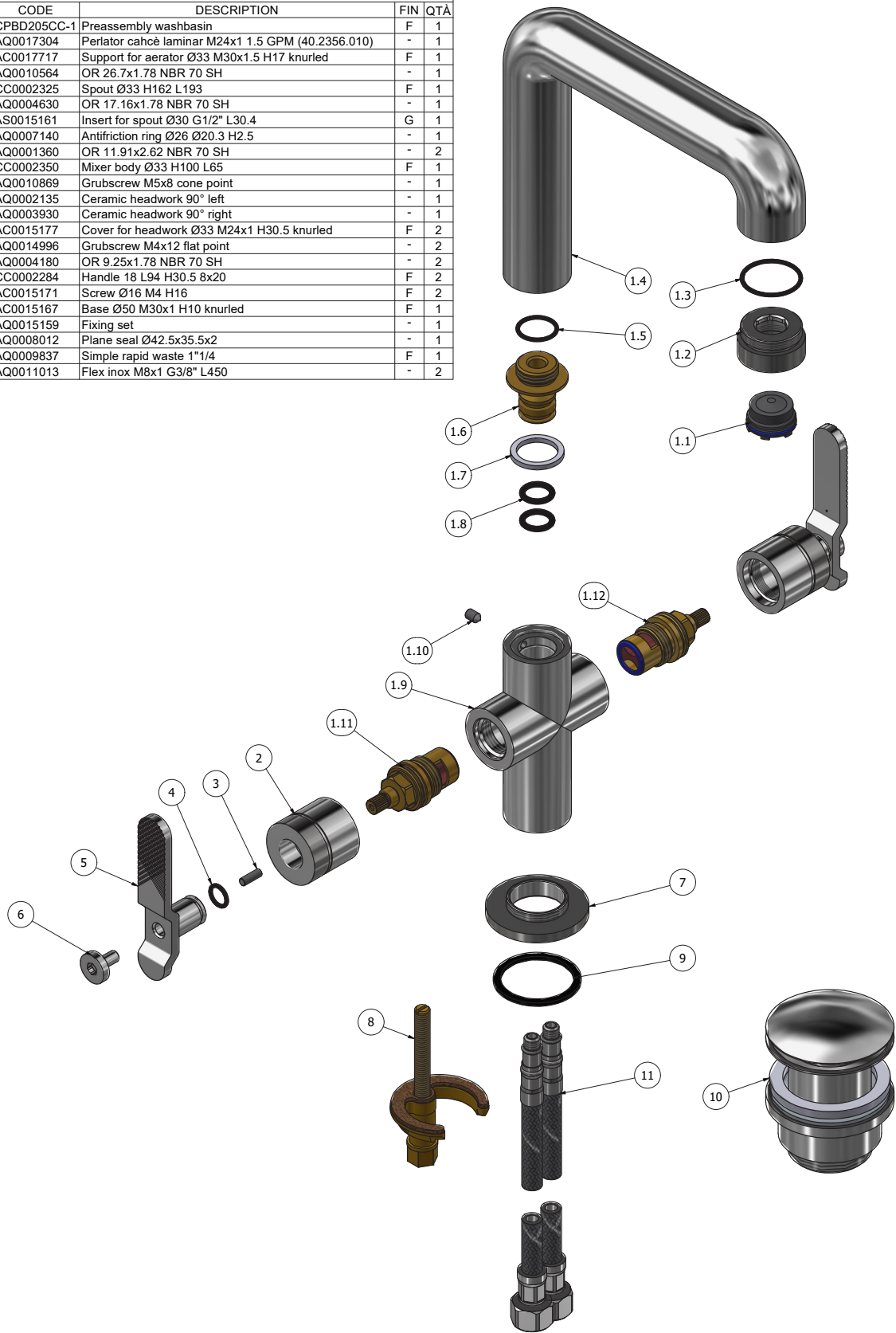
www.weareib.it





WE ARE IB

Parts list				
ITEMS	CODE	DESCRIPTION	FIN	QTÀ
1	CPBD205CC-1	Preassembly washbasin	F	1
1.1	AQ0017304	Perlator cahcè laminar M24x1 1.5 GPM (40.2356.010)	-	1
1.2	AC0017717	Support for aerator Ø33 M30x1.5 H17 knurled	F	1
1.3	AQ0010564	OR 26.7x1.78 NBR 70 SH	-	1
1.4	CC0002325	Spout Ø33 H162 L193	F	1
1.5	AQ0004630	OR 17.16x1.78 NBR 70 SH	-	1
1.6	AS0015161	Insert for spout Ø30 G1/2" L30.4	G	1
1.7	AQ0007140	Antifriction ring Ø26 Ø20.3 H2.5	-	1
1.8	AQ0001360	OR 11.91x2.62 NBR 70 SH	-	2
1.9	CC0002350	Mixer body Ø33 H100 L65	F	1
1.10	AQ0010869	Grubscrew M5x8 cone point	-	1
1.11	AQ0002135	Ceramic headwork 90° left	-	1
1.12	AQ0003930	Ceramic headwork 90° right	-	1
2	AC0015177	Cover for headwork Ø33 M24x1 H30.5 knurled	F	2
3	AQ0014996	Grubscrew M4x12 flat point	-	2
4	AQ0004180	OR 9.25x1.78 NBR 70 SH	-	2
5	CC0002284	Handle 18 L94 H30.5 8x20	F	2
6	AC0015171	Screw Ø16 M4 H16	F	2
7	AC0015167	Base Ø50 M30x1 H10 knurled	F	1
8	AQ0015159	Fixing set	-	1
9	AQ0008012	Plane seal Ø42.5x35.5x2	-	1
10	AQ0009837	Simple rapid waste 1"1/4	F	1
11	AQ0011013	Flex inox M8x1 G3/8" L450	-	2





WE ARE **IB**

WARRANTY

All IB Rubinetterie SpA products are warranted for 10 years from the date of purchase, for the following cases:

- Defects of casting, porosity and chrome plating.
- Operating defects caused by incorrect fabrication.

The warranty provides for repair or replacement of products with fabrication defects recognized by our technical office. There is no other type of compensation anche the merchandise must be returned FOB our warehouse. The warranty only cover surface defects (scartches, dings, etc.) on fitting that have not been installed and used, returned in its original packaging with all components. O-ring, gasket seals and components subject to wear proportional to use are warranted for 2 years.

The warranty is void in the following cases:

Error installing and putting the product into service.

Deterioration of finished surfaces due to use of cleaning products containing acids or abrasive substances.

Deterioration of surface with finishes other than chrome plating. Their durability is, in fact, dependent on the user's care and gentleness of use.

Deterioration of the fitting due incorrect installation.

Improper repairs and maintenance performed without the company's prior authorization.

The warranty from IB Rubinetterie SpA is not renewable.

Cleaning

We recommended cleaning the finish surfaces with water and soap, using a soft cloth.

Do not use detergents that cointain hydrochloric acid or abrasive substances.