



WE ARE IB

Collection

## BELMONDO

Article

### BT306

Description

Wall mounted widespread lavatory faucet.

Box Dimensions

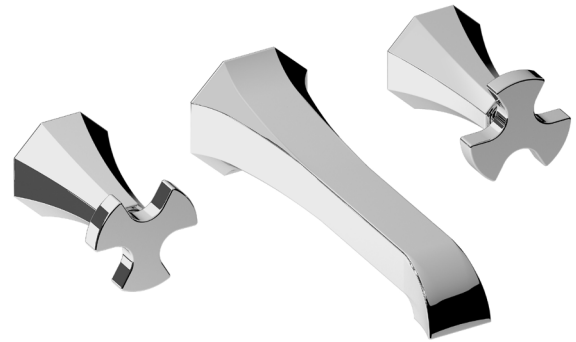
265x260x70 mm

Weight

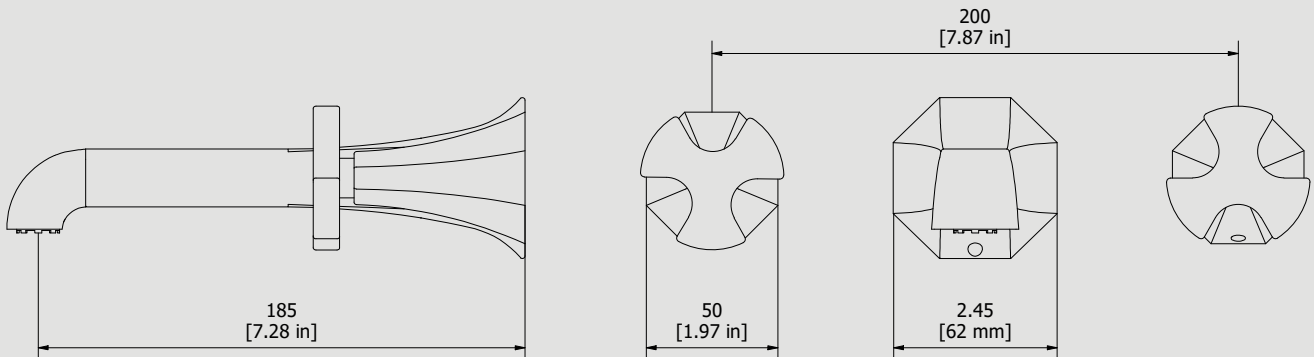
1.7 kg

Finishes

- **CC**  
CHROME
- **CF**  
BLACK CHROME
- **OO**  
GOLD
- **BB**  
ANTIQUE BRONZE
- **SS**  
BRUSHED NICKEL
- **CS**  
BRUSHED BLACK CHROME
- **BO**  
MATT WHITE
- **NP**  
MATT BLACK
- **IS**  
BRUSHED PALE GOLD
- **OS**  
BRUSHED GOLD
- **II**  
PALE GOLD
- **RR**  
ANTIQUE COPPER
- **RS**  
ROSE GOLD
- **ON**  
NATURAL BRASS
- **SR**  
BRUSHED ROSE GOLD
- **PL**  
PLATINUM
- **MB**  
MODERN BRONZE



Dimensions



Ceramic headwork

**G1/2" ceramic headwork**

Threaded fitting

**G1/2" female**

Aerator

Flow Rate (+/-10%)

**1 BAR**  
2.4 l/min

**2 BAR**  
3.7 l/min

**3 BAR**  
3.7 l/min

Production

**Main body is a single casted pieces**

Material

**BRASS**  
According to CuZn35Pb2AL-B (CB752S)  
Max Lead content: 1.36%

IB RUBINETTERIE s.p.a  
via dei Pianotti 3/5  
25068 Sarezzo (BS) - Italy -

T. +39 030 802101  
F. +39 030 803097  
info@weareib.it

P.IVA 01785230986  
capitale sociale  
€420.000,00 i.v.

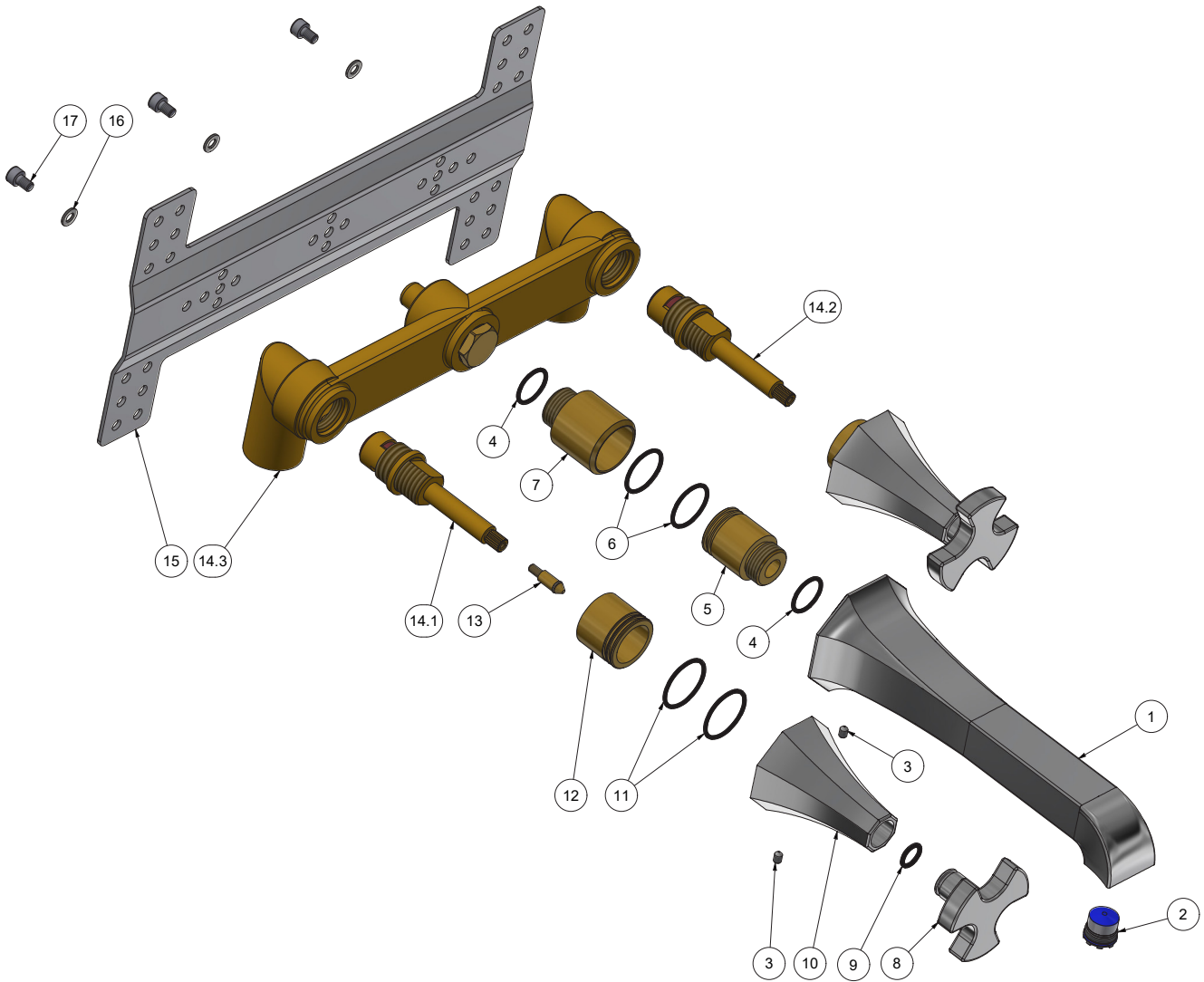
www.weareib.it





WE ARE IB

| Elenco parti |           |  |     |
|--------------|-----------|--|-----|
| ELEM.        | CODICE    | NUMERO DI MAGAZZINO                            | QTÀ |
| 1            | CC0001938 | Spout for recessed basin mixer L197            | 1   |
| 2            | AQ0014147 | Perlator PCA cachè laminar 1 GPM (44.3358.010) | 1   |
| 3            | AQ0010117 | Set screw ISO 4027 - M4 x 6                    | 3   |
| 4            | AQ0004630 | OR 17.16x1.78 NBR 70 SH                        | 2   |
| 5            | AS0010502 | Insert Ø25.8 G1/2" L36.5                       | 1   |
| 6            | AQ0006637 | OR 21.95x1.78 NBR 70 SH                        | 2   |
| 7            | AS0010503 | Insert Ø31.5 H41                               | 1   |
| 8            | CC0002161 | Lever  | 2   |
| 9            | AQ0010153 | OR 10x2 NBR 70 SH                              | 2   |
| 10           | CC0002164 | Octagonal bell 50 H65                          | 2   |
| 11           | AQ0006586 | OR 25.12x1.78 NBR 70 SH                        | 4   |
| 12           | AS0010504 | Insert Ø28.7 H24.5                             | 2   |
| 13           | AQ0010617 | Click connection for headworks with ring       | 2   |
| 14           | CPBL206-1 | Preassembled recessed mixer body               | 1   |
| 14.1         | AQ0010852 | Headwork 90° SX H55                            | 1   |
| 14.2         | AQ0010851 | Headwork 90° DX H55                            | 1   |
| 14.3         | CT0001905 | Recessed body 3 hole Int. 200 G1/2"            | 1   |
| 14.4         | AQ0006680 | Plug G1/2" M                                   | 1   |
| 14.5         | AQ0009841 | OR 17x2 NBR 70 SH                              | 1   |
| 15           | AQ0009362 | Inox plate 280x150                             | 1   |
| 16           | AS0013067 | Washer M5 UNI 6592                             | 3   |
| 17           | AQ0009429 | Screw ISO 4762 - M5 x 8                        | 3   |





WE ARE IB

### **WARRANTY**

All IB Rubinetterie SpA products are warranted for 10 years from the date of purchase, for the following cases:

- Defects of casting, porosity and chrome plating.
- Operating defects caused by incorrect fabrication.

The warranty provides for repair or replacement of products with fabrication defects recognized by our technical office. There is no other type of compensation anche the merchandise must be returned FOB our warehouse. The warranty only cover surface defects (scartches, dings, etc.) on fitting that have not been installed and used, returned in its original packaging with all components. O-ring, gasket seals and components subject to wear proportional to use are warranted for 2 years.

#### **The warranty is void in the following cases:**

Error installing and putting the product into service.

Deterioration of finished surfaces due to use of cleaning products containing acids or abrasive substances.

Deterioration of surface with finishes other than chrome plating. Their durability is, in fact, dependent on the user's care and gentleness of use.

Deterioration of the fitting due incorrect installation.

Improper repairs and maintenance performed without the company's prior authorization.

The warranty from IB Rubinetterie SpA is not renewable.

#### **Cleaning**

We recommanded cleaning the finish surfaces with water and soap, using a soft cloth.

Do not use detergents that cointain hydrochloric acid or abrasive substances.