

Collection

**ELIO**

Article

**E0396\_1**

Description

**Four holes deck mounted bath filter with shower kit**

Box Dimensions

**685x345x168 mm**

Weight

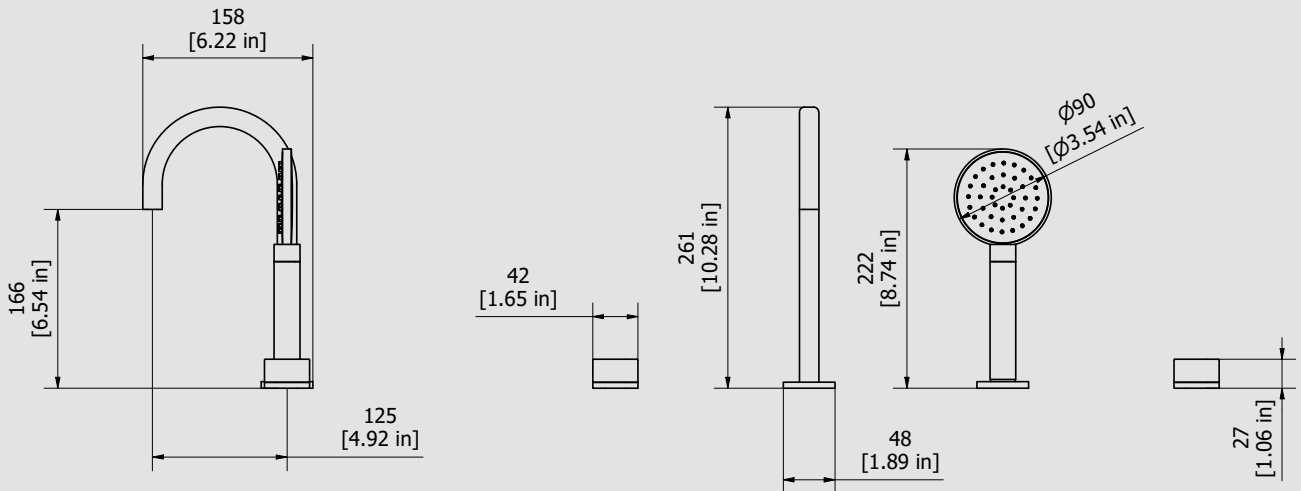
**4.5 kg**

Finishes

- **CC**  
CHROME
- **PL**  
PLATINUM
- **SS**  
BRUSHED  
NICKEL
- **ON**  
NATURAL  
BRASS
- **BO**  
MATT  
WHITE
- **NP**  
MATT  
BLACK
- **CF**  
BLACK  
CHROME
- **CS**  
BRUSHED  
BLACK  
CHROME
- **II**  
PALE  
GOLD
- **IS**  
BRUSHED  
PALE GOLD
- **RS**  
ROSE  
GOLD
- **SR**  
BRUSHED  
ROSE GOLD
- **OO**  
GOLD
- **OS**  
BRUSHED  
GOLD
- **RR**  
ANTIQUÉ  
COPPER
- **MB**  
MODERN  
BRONZE



Dimensions



Cartridge

**Ø35 ceramic cartridge**

Threaded fitting

**Flex G1/2" female 300mms**

Aerator

**M16.5x1**

Flow Rate (+/-10%)

1 BAR	2 BAR	3 BAR
9 l/m	13 l/m	16.1 l/m

Production

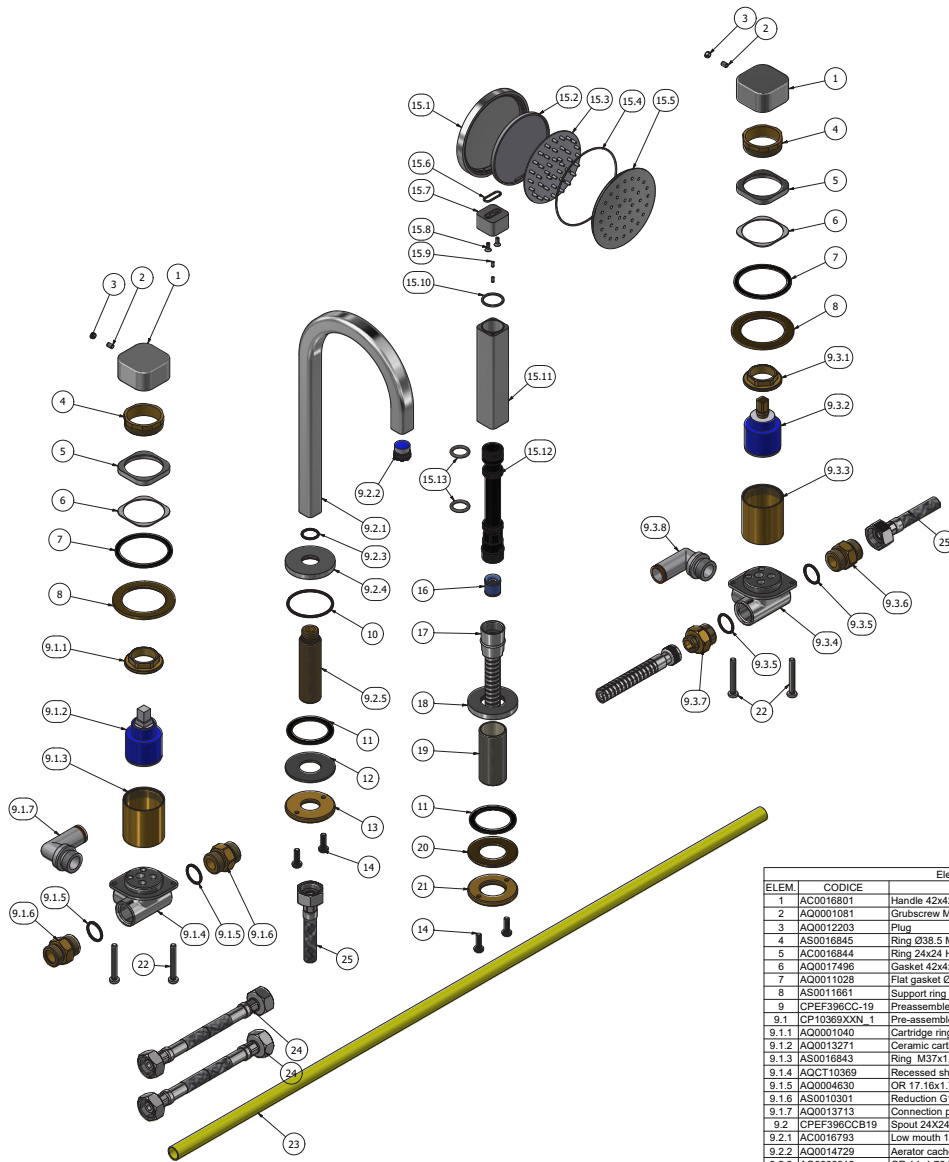
**Main body is a machined from a solid pieces**

Material

**BRASS**  
According to CuZn42 (CW510L)  
Max Lead content: 0.2%



WE ARE IB



Elenco parti			
ELEM	CODICE	NUMERO DI MAGAZZINO	QTA
1	AC0016801	Handle 42x42 H21.5 plane	2
2	AQ0001081	Grubscrew M4x6 flat point	2
3	AQ0012203	Plug	2
4	AS0016845	Ring Ø38.5 M37x1.5M 12.3	2
5	AC0016844	Ring 24x24 H5.5 foro Ø37.5	2
6	AQ0017496	Gasket 42x41	2
7	AQ0011028	Flat gasket Ø55 Ø47 H2	2
8	AS0011661	Support ring Ø60 Ø42.2 H3	2
9	CPEF396CC-19	Preassembled hole bath side	1
9.1	CP10369XXN_1	Pre-assembled cartridge	1
9.1.1	AQ0001040	Cartridge ring nut M37x1.5 H9	1
9.1.2	AQ0013271	Ceramic cartridge KRJ 35A 9x9	1
9.1.3	AS0016843	Ring M37x1.5 Ø39.8 H43	1
9.1.4	AQCT10369	Recessed shower mixer body Ø35 DZR	1
9.1.5	AQ0004630	OR 17.16x1.78 NBR 70 SH	2
9.1.6	AS0010301	Reduction G1/2" M G1/2" M with valve seat	2
9.1.7	AQ0013713	Connection piece L G1/2" Ø14 (2031019)	1
9.2	CPEF396CCB19	Spout 24X24 int160x155.5	1
9.2.1	AC0016793	Low mouth 18x18 R4.5 H255.5 int.160.5x125 90GR	1
9.2.2	AQ0014729	Aerator cachè M16.5x1 neostrahl (01.5175.000)	1
9.2.3	AQ0009818	OR 14x1.78 NBR 70 SH	1
9.2.4	AC0017286	Rosette Ø48 H5.5 G1/2" F	1
9.2.5	AS0016649	Threaded steam G1/2" M16x1 H81	1
9.3	CP10369XXN_2	Pre-assembled diverter	1
9.3.1	AQ0001040	Cartridge ring nut M37x1.5 H9	1
9.3.2	AQ0013143	Ceramic cartridge Ø35 Wout/D KDZ HTG	1
9.3.3	AS0016843	Ring M37x1.5 Ø39.8 H43	1
9.3.4	AQCT10369	Recessed shower mixer body Ø35 DZR	1
9.3.5	AQ0004630	OR 17.16x1.78 NBR 70 SH	2
9.3.6	AS0010301	Reduction G1/2" M G1/2" M with valve seat	1
9.3.7	AS0011227	Connection piece G1/2" M G3/8" M with valve seat	1
9.3.8	AQ0013713	Connection piece L G1/2" Ø14 (2031019)	1
10	AQ0013363	OR 41x2 NBR 70 SH	1
11	AQ0008013	Rubber packing 45x35x2	2
12	AS0016650	Washer Ø48 Ø21 H2	1
13	AS0016648	Nut Ø48 G1/2" H5	1
14	AQ0010358	Inox screw M5x16 ISO 7045	4
15	CPEF90CCXXN1	Square hand shower 24x24 H214	1
15.1	AQ0016231_3	Handshower head Ø90	1
15.2	AQ0016231_10	Diffuser press cover	1
15.3	AQ0016231_2	Shower diffuser	1
15.4	AQ0016231_11	OR 80x1.3 NBR 70 SH	1
15.5	AQ0016231_1	Diffuser holder flange	1
15.6	AQ0016231_4	OR 12x1.5 NBR 70 SH	1
15.7	AC0016811	Connection 24x24 M20X1 H16	1
15.8	AQ0016231_6	Screw inox M3x8 TSP DIN7991	2
15.9	AQ0012230	Stainless steel pin Ø2.5x6	2
15.10	AQ0016231_7	OR 18x2 NBR 70 SH	1
15.11	AQ0016812	Grip 24x24 H.110.5	1
15.12	AQ0016231_9	Insert for handshower G1/2"	1
15.13	AQ0016231_8	OR 13.95x2.62 NBR 70 SH	2
16	AQ0006576	No return valve Ø15 (31.4015.00001)	1
17	AQ0017134	Terminal d'agg G3/8" F G1/2" cono L150	1
18	AC0016840	Base Ø48 H6 G3/4"	1
19	AN0012629	Stem G3/4" H88	1
20	AS0010697	Washer Ø48 x Ø26.5 x3	1
21	AS0012647	Ring nut G3/4"	1
22	AQ0010585	Screw inox M5x40 tc	4
23	AQ0013714-1	Rishna pipe PA11 DIN 74324 Ø14xØ12 L80 cm	1
24	AQ0006540	Flex inox G1/2" F G1/2" F L300	2
25	AQ0010325	FLex G1/2" FF L800	1

IB RUBINETTERIE s.p.a  
via dei Pianotti 3/5  
25068 Sarezzo (BS) - Italy -

T. +39 030 802101  
F. +39 030 803097  
info@weareib.it

P.IVA 01785230986  
capitale sociale  
€420.000,00 i.v.

www.weareib.it





WE ARE IB

### **WARRANTY**

All IB Rubinetterie SpA products are warranted for 10 years from the date of purchase, for the following cases:

- Defects of casting, porosity and chrome plating.
- Operating defects caused by incorrect fabrication.

The warranty provides for repair or replacement of products with fabrication defects recognized by our technical office. There is no other type of compensation anche the merchandise must be returned FOB our warehouse. The warranty only cover surface defects (scartches, dings, etc.) on fitting that have not been installed and used, returned in its original packaging with all components. O-ring, gasket seals and components subject to wear proportional to use are warranted for 2 years.

#### **The warranty is void in the following cases:**

Error installing and putting the product into service.

Deterioration of finisched surfaces due to use of cleaning products containing acids or abrasive substances.

Deterioration of surface with finishes other than chrome plating. Their durability is, in fact, dependent on the user's care and gentleness of use.

Deterioration of the fitting due incorrect installation.

Improper repairs and maintenance performed without the company's prior authorization.

The warranty from IB Rubinetterie SpA is not renewable.

#### **Cleaning**

We recommended cleaning the finish surfaces with water and soap, using a soft cloth.

Do not use detergents that cointain hydrochloric acid or abrasive substances.