



WE ARE IB

Collection

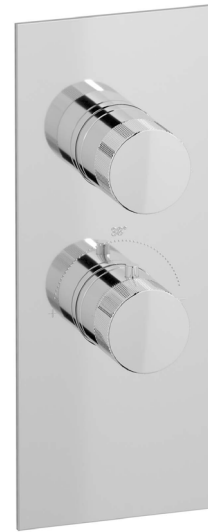
# AQUA

Article

## EUA111ID1

Description

### Plate and handles trimkit



Box Dimensions

340x180x90 mm

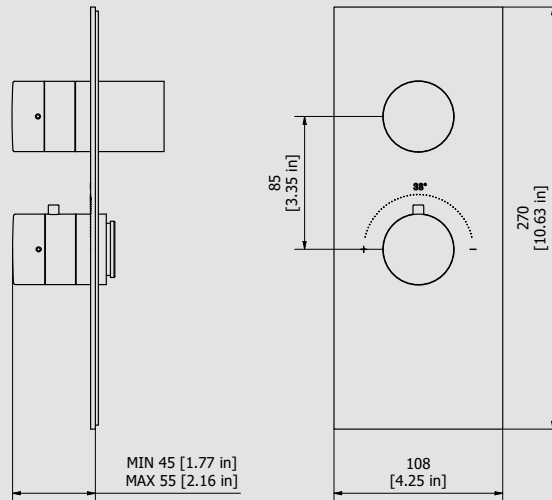
Weight

2.8 kg

Finishes

- **CC**  
CHROME
- **PL**  
PLATINUM
- **SS**  
BRUSHED  
NICKEL
- **ON**  
NATURAL  
BRASS
- **BO**  
MATT  
WHITE
- **NP**  
MATT  
BLACK
- **CF**  
BLACK  
CHROME
- **CS**  
BRUSHED  
BLACK  
CHROME
- **II**  
PALE  
GOLD
- **IS**  
BRUSHED  
PALE GOLD
- **RS**  
ROSE  
GOLD
- **SR**  
BRUSHED  
ROSE GOLD
- **OO**  
GOLD
- **OS**  
BRUSHED  
GOLD
- **RR**  
ANTIQUÉ  
COPPER
- **MB**  
MODERN  
BRONZE

Dimensions



Cartridge

-

Threaded fitting

-

Aerator

-

Flow Rate (+/-10%)

**1 BAR**  
l/m

**2 BAR**  
l/m

**3 BAR**  
l/m

Production

Main body is a machined from a solid pieces

Material

**BRASS**  
According to CuZn39Pb3 (CW614N)  
Max Lead content: 2.5%

IB RUBINETTERIE s.p.a  
via dei Pianotti 3/5  
25068 Sarezzo (BS) - Italy -

T. +39 030 802101  
F. +39 030 803097  
info@weareib.it

P.IVA 01785230986  
capitale sociale  
€420.000,00 i.v.

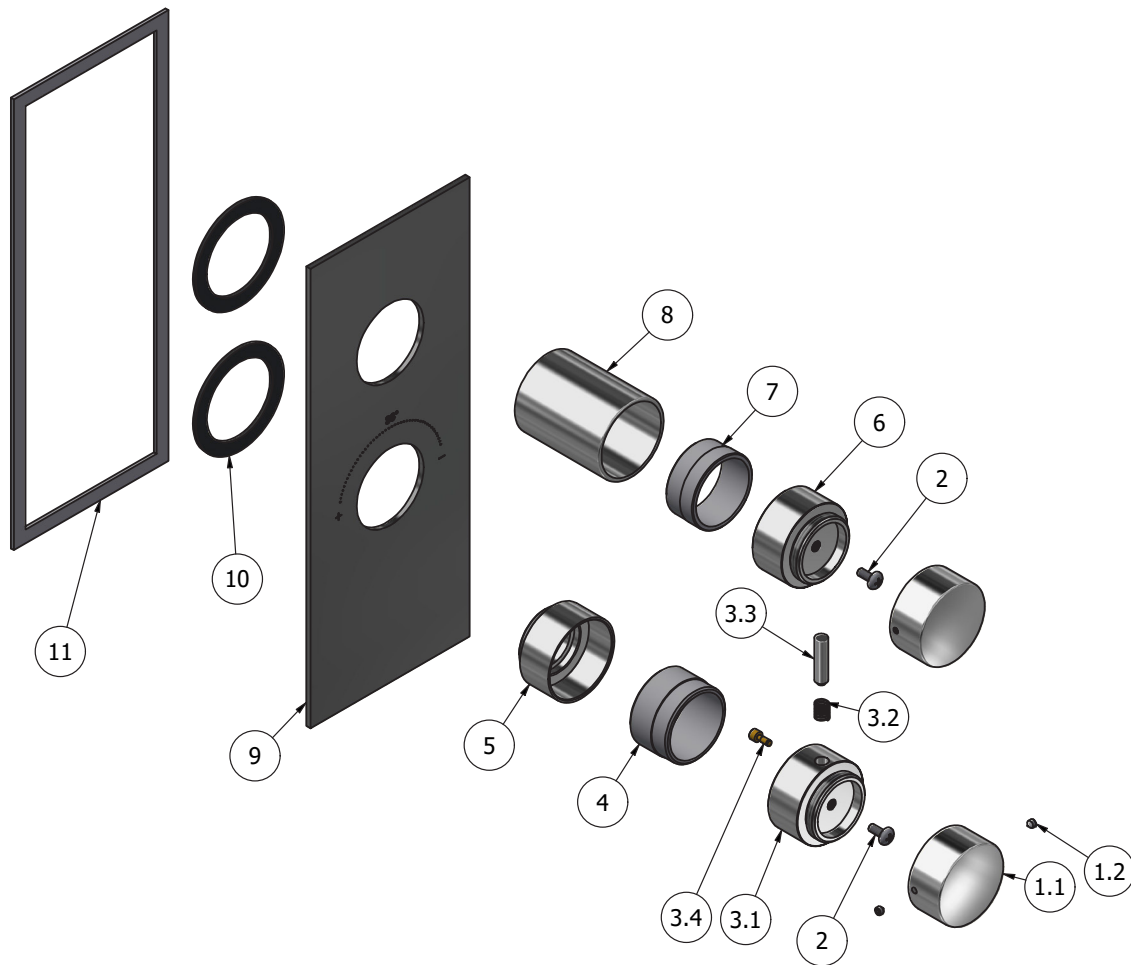
www.weareib.it





WE ARE IB

Parts list				
ITEMS	CODE	DESCRIPTION	FIN	QTA
1	CP12900CC-1	Pre Assembled handle Ø45 knurled	-	2
1.1	AC0012900	Handle Ø45 H20 knurled	F	1
1.2	AQ0001082	Grubscrew M4x4 cone point	-	2
2	AQ0002160	Screw M4x10	-	2
3	CP7043CCXN_1	Thermo regulator handle body	-	1
3.1	AC0007043	Handle thermoregulation	F	1
3.2	AQ0008086	Spring for thermo plug Ø6 F0.5 L8.5	G	1
3.3	AC0011424	Plug for thermo handle H27	F	1
3.4	AS0007045	Pin for thermo lever button Ø6 H11.6	G	1
4	AS0013025	Centering bush Ø40.95 Ø41.95 H25	-	1
5	AC0011535	Support Ø45 H25.5 M36x1.5	F	1
6	AC0007042	Capacity handle body	F	1
7	AS0013024	Centering bush Ø40.95 Ø40.35 H18.5	-	1
8	AC0011537	Flange for regulation tap Ø45 H56.7	F	1
9	ACGC12316	Plate 270x108x3 °C	F	1
10	AQ0013943	Rubber packing Ø60xØ45 H2	-	2
11	AQ0014224	Rubber packing double-sided tape 265x105x2	-	1





WE ARE IB

### **WARRANTY**

All IB Rubinetterie SpA products are warranted for 10 years from the date of purchase, for the following cases:

- Defects of casting, porosity and chrome plating.
- Operating defects caused by incorrect fabrication.

The warranty provides for repair or replacement of products with fabrication defects recognized by our technical office. There is no other type of compensation anche the merchandise must be returned FOB our warehouse. The warranty only cover surface defects (scartches, dings, etc.) on fitting that have not been installed and used, returned in its original packaging with all components. O-ring, gasket seals and components subject to wear proportional to use are warranted for 2 years.

#### **The warranty is void in the following cases:**

Error installing and putting the product into service.

Deterioration of finisched surfaces due to use of cleaning products containing acids or abrasive substances.

Deterioration of surface with finishes other than chrome plating. Their durability is, in fact, dependent on the user's care and gentleness of use.

Deterioration of the fitting due incorrect installation.

Improper repairs and maintenance performed without the company's prior authorization.

The warranty from IB Rubinetterie SpA is not renewable.

#### **Cleaning**

We recommended cleaning the finish surfaces with water and soap, using a soft cloth.

Do not use detergents that cointain hydrochloric acid or abrasive substances.