



WE ARE IB

Collection

GATSBY

Article

GA202

Description

Tall monohole washbasin mixer.

Box Dimensions

425x188x98 mm

Weight

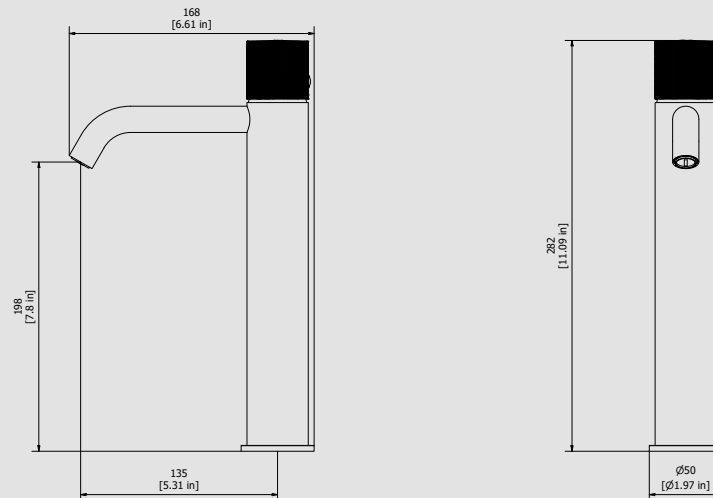
2.3 kg

Finishes

- **CC**
CHROME
- **PL**
PLATINUM
- **SS**
BRUSHED
NICKEL
- **ON**
NATURAL
BRASS
- **BO**
MATT
WHITE
- **NP**
MATT
BLACK
- **CF**
BLACK
CHROME
- **CS**
BRUSHED
BLACK
CHROME
- **II**
PALE
GOLD
- **IS**
BRUSHED
PALE GOLD
- **RS**
ROSE
GOLD
- **SR**
BRUSHED
ROSE GOLD
- **OO**
GOLD
- **OS**
BRUSHED
GOLD
- **RR**
ANTIQUÉ
COPPER
- **MB**
MODERN
BRONZE



Dimensions



Cartridge

Ø25 ceramic cartridge

Threaded fitting

Inox hoses G3\8" female 400 mms long

Aerator

M16.5x1

Flow Rate (+/-10%)

**1 BAR
3 l\m**

**2 BAR
3.8 l\m**

**3 BAR
3.8 l\m**

Production

Main body is a machined from a solid pieces

Material

**BRASS
According to CuZn42 (CW510L)
Max Lead content: 0.2%**

IB RUBINETTERIE s.p.a
via dei Pianotti 3/5
25068 Sarezzo (BS) - Italy -

T. +39 030 802101
F. +39 030 803097
info@weareib.it

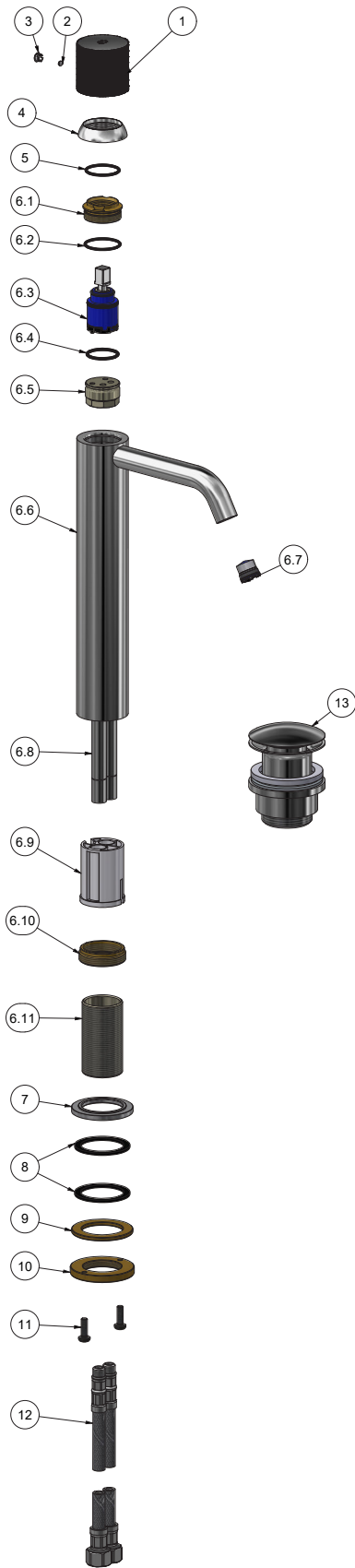
P.IVA 01785230986
capitale sociale
€420.000,00 i.v.

www.weareib.it





WE ARE IB



Parts list			
ITEMS	CODE	DESCRIPTION	FIN QTA
1	AC0017942-T1	Handle Ø42 H40 gatsby	F 1
2	AQ0013221	Grubscrew M4x3 cone point	- 1
3	AQ0006650	Plug cover Ø7	F 1
4	AC0012842	Cartridge fixing nut chromed cover	F 1
5	AQ0006586	OR 25.12x1.78 NBR 70 SH	- 1
6	CPKMT202CCX22	Preassembled tall basin mixer	F 1
6.1	AS0011353	Cartridge fixing nut M30x1 H14.35	G 1
6.2	AQ0010564	OR 26.7x1.78 NBR 70 SH	- 1
6.3	AQ0016764	Cartridge Ø25 open 9x9 (KH25OPS A4US)	- 1
6.4	AQ0010972	OR 23x2 NBR 70 SH	- 1
6.5	AN0010810	Connection piece Ø27X18	N 1
6.6	AQ0016775	Tall body Ø42 H235 L135	F 1
6.7	AQ0014147	Perlator PCA cachè laminar 1 GPM (44.3358.010)	- 1
6.8	AN0010899	Extension pipe M8x1 M10x1 H230	N 2
6.9	AQ0009711	Separator for pipes	- 1
6.10	AS0010786	Reduction nut M38x1.5 M33x1.5 H11	G 1
6.11	AN0009680	Threaded stem M33x1.5 H61	N 1
7	AC0010787	Base Ø5 H5	F 1
8	AQ0008013	Rubber packing 45x35x2	- 2
9	AS0010659	Brass ring Ø50x35.5x3	G 1
10	AS0010658	Ring nut with screwed holes Ø52 M33x1.5 H6	G 1
11	AQ0010358	Inox screw M5x16 ISO 7045	- 2
12	AQ0000932	Inox hose M10x1 G3/8" F L400	- 2
13	AQ0009837	Simple rapid waste 1"1/4	F 1



WE ARE IB

WARRANTY

All IB Rubinetterie SpA products are warranted for 10 years from the date of purchase, for the following cases:

- Defects of casting, porosity and chrome plating.
- Operating defects caused by incorrect fabrication.

The warranty provides for repair or replacement of products with fabrication defects recognized by our technical office. There is no other type of compensation anche the merchandise must be returned FOB our warehouse. The warranty only cover surface defects (scatches, dings, etc.) on fitting that have not been installed and used, returned in its original packaging with all components. O-ring, gasket seals and components subject to wear proportional to use are warranted for 2 years.

The warranty is void in the following cases:

Error installing and putting the product into service.

Deterioration of finished surfaces due to use of cleaning products containing acids or abrasive substances. Deterioration of surface with finishes other than chrome plating. Their durability is, in fact, dependent on the user's care and gentleness of use.

Deterioration of the fitting due incorrect installation.

Improper repairs and maintenance performed without the company's prior authorization.

The warranty from IB Rubinetterie SpA is not renewable.

Cleaning

We recommended cleaning the finish surfaces with water and soap, using a soft cloth.

Do not use detergents that contain hydrochloric acid or abrasive substances.