



WE ARE IB

Collection

HERMES ELLE

Article

HL307_2

Description

Wall mounted widespread lavatory faucet with long spout.

Box Dimensions

265x260x70 mm

Weight

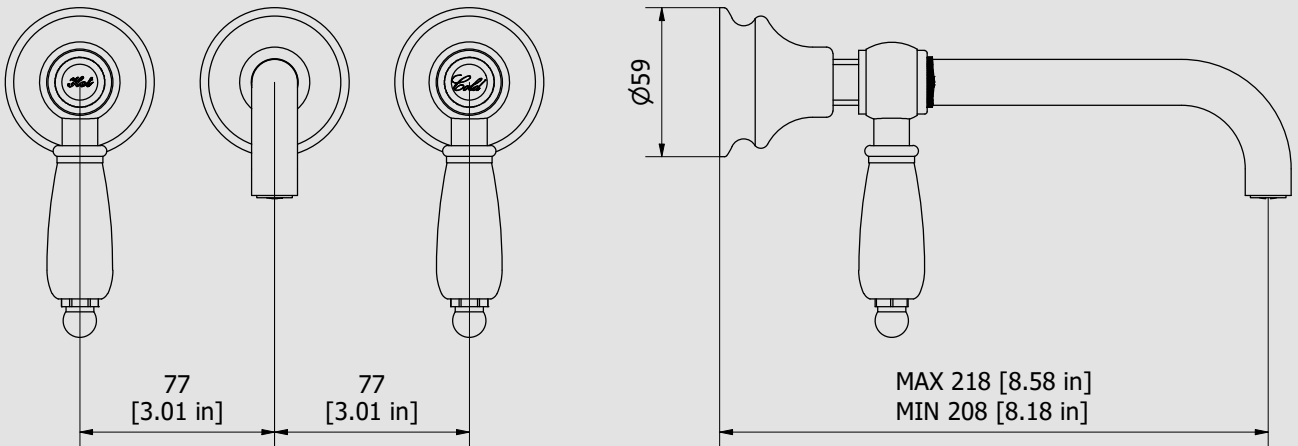
1.8 kg

Finishes

- **CC**
CHROME
- **PL**
PLATINUM
- **SS**
BRUSHED
NICKEL
- **ON**
NATURAL
BRASS
- **BO**
MATT
WHITE
- **NP**
MATT
BLACK
- **CF**
BLACK
CHROME
- **CS**
BRUSHED
BLACK
CHROME
- **II**
PALE
GOLD
- **IS**
BRUSHED
PALE GOLD
- **RS**
ROSE
GOLD
- **SR**
BRUSHED
ROSE GOLD
- **OO**
GOLD
- **OS**
BRUSHED
GOLD
- **RR**
ANTIQUÉ
COPPER
- **BB**
ANTIQUÉ
BRONZE



Dimensions



Cartridge

Ceramic headwork

Threaded fitting

Aerator

M16.5x1

Flow Rate (+/-10%)

1 BAR
8 l/m

2 BAR
11 l/m

3 BAR
13 l/m

Production

Main body is a single casted pieces.

Material

BRASS
According to CuZn40Pb3 (CW614N)
Max Lead content: 2.5%

IB RUBINETTERIE s.p.a
via dei Pianotti 3/5
25068 Sarezzo (BS) - Italy -

T. +39 030 802101
F. +39 030 803097
info@weareib.it

P.IVA 01785230986
capitale sociale
€420.000,00 i.v.

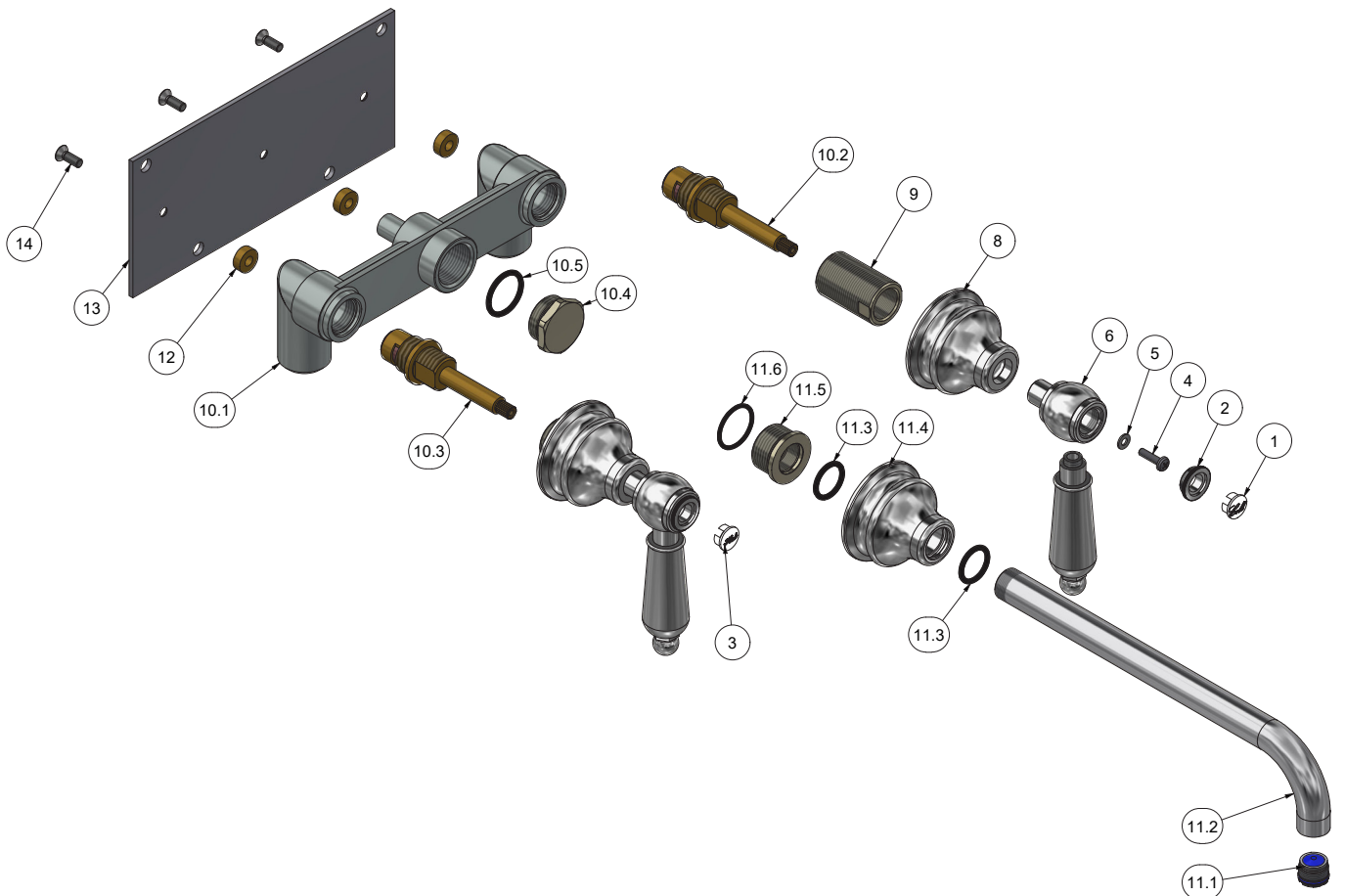
www.weareib.it





WE ARE IB

Parts list				
ITEMS	CODE	DESCRIPTION	FIN	QTÀ
1	AQ0013552	Handle's plug cold	-	1
2	AQ0009069	Cover Ø20 PLS	F	2
3	AQ0013551	Handle's plug hot	-	1
4	AQ0009209	Screw M4x16 ISO 7045	-	2
5	AQ0010229	Inox washer Ø4	-	2
6	AC0003397	Lever Ø31.5 H42	F	2
7	AQ0010082	Handle	F	2
8	AC0007131	Bell Ø58.5 W26x19 H44.5	F	2
9	AN0010197	Reduction W26x19 W19x19 H42	N	2
10	CP1555-1	Preassembled Body washbasin	-	1
10.1	CT0001555	Recessed body int. 153 G1/2" inlet, G3/4" Outlet	-	1
10.2	AQ0009356	Ceramic headwokt 90° right	-	1
10.3	AQ0009357	Ceramic headwork 90° left	-	1
10.4	AN0007047	Built-in thermo plug 3/4"	N	1
10.5	AQ0008088	OR 22.23x2.62 NBR 70 SH	-	1
11	CP11996CC-2	Spout Ø18 L244	-	1
11.1	AQ0014236	Cachè perlator M16,5 x 1 coin slot (44.3230.450)	-	1
11.2	AC0011996	Spout-out M18x1 M16.5x1 Ø18 L244	F	1
11.3	AQ0010978	OR 17.46x2.62 NBR 70 SH	-	2
11.4	AC0012298	Spout's bell Ø58.5 Ø18.5 H44.5	F	1
11.5	AN0012299	Insert for spout-out G3/4" M18x1 H18	N	1
11.6	AQ0010972	OR 23x2 NBR 70 SH	-	1
12	AS0012300	Waher Ø14 Ø6 H5	G	3
13	AQ0014264	Fixing plate 200x90x3	-	1
14	AQ0014265	Inox screw M5x14 DIN 7991 A2	-	3



IB RUBINETTERIE s.p.a
via dei Pianotti 3/5
25068 Sarezzo (BS) - Italy -

T. +39 030 802101
F. +39 030 803097
info@weareib.it

P.IVA 01785230986
capitale sociale
€420.000,00 i.v.

www.weareib.it





WE ARE IB

WARRANTY

All IB Rubinetterie SpA products are warranted for 10 years from the date of purchase, for the following cases:

- Defects of casting, porosity and chrome plating.
- Operating defects caused by incorrect fabrication.

The warranty provides for repair or replacement of products with fabrication defects recognized by our technical office. There is no other type of compensation anche the merchandise must be returned FOB our warehouse. The warranty only cover surface defects (scatches, dings, etc.) on fitting that have not been installed and used, returned in its original packaging with all components. O-ring, gasket seals and components subject to wear proportional to use are warranted for 2 years.

The warranty is void in the following cases:

Error installing and putting the product into service.

Deterioration of finished surfaces due to use of cleaning products containing acids or abrasive substances. Deterioration of surface with finishes other than chrome plating. Their durability is, in fact, dependent on the user's care and gentleness of use.

Deterioration of the fitting due incorrect installation.

Improper repairs and maintenance performed without the company's prior authorization.

The warranty from IB Rubinetterie SpA is not renewable.

Cleaning

We recommended cleaning the finish surfaces with water and soap, using a soft cloth.

Do not use detergents that contain hydrochloric acid or abrasive substances.