

Collection

HERMES

Article

HR205

Description

Traditional monohole washbasin with two levers complete of automatic pop-up

Box Dimensions

370 x 270 x 80 mm

Weight

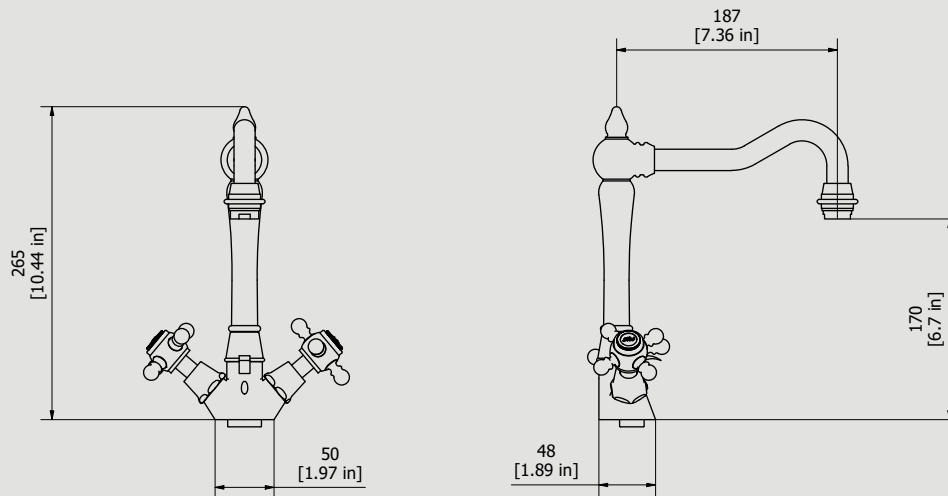
3.1 kg

Finishes

- **CC**
CHROME
- **PL**
PLATINUM
- **SS**
BRUSHED
- **ON**
NATURAL
BRASS
- **BO**
MATT
WHITE
- **NP**
MATT
BLACK
- **CF**
BLACK
CHROME
- **CS**
BRUSHED
BLACK
CHROME
- **II**
PALE
GOLD
- **IS**
BRUSHED
PALE GOLD
- **RS**
ROSE
GOLD
- **SR**
BRUSHED
ROSE GOLD
- **OO**
GOLD
- **OS**
BRUSHED
GOLD
- **RR**
ANTIQUÉ
COPPER
- **BB**
ANTIQUÉ
BRONZE



Dimensions



Headwork

IB G1/2" Ceramic headworks

Wall Hoses

Inox hoses G3/8" female 400 mms long

Aerator

M24X1 perlator coin slot

Flow Rate (+/-10%)

1 BAR	2 BAR	3 BAR
10 l/min	14 l/min	16.9 l/min

Production

Main body is a single hot stamped pieces

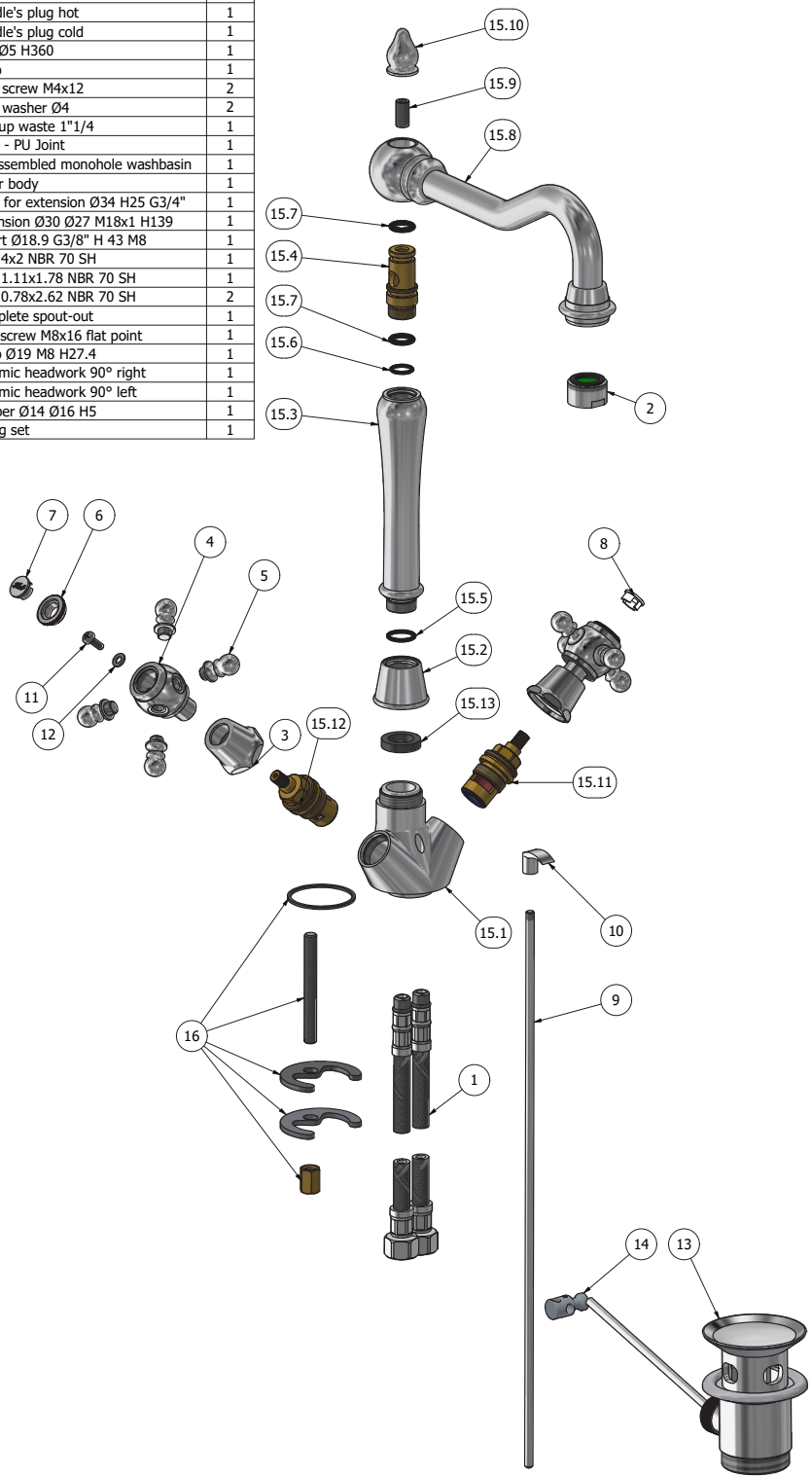
Material

BRASS
According to CuZn42 (CW510L)
Max Lead content:0.2%



WE ARE IB

ELENCO PARTI			
ELEMENTO	CODICE	DESCRIZIONE	QTÀ
1	AQ0000932	Inox hose M10x1 G3/8" F L400	2
2	AQ0000020	Aerator M24 x 1 perlator honeycomb (40200503301)	1
3	AC0003100	Cap for headwork	2
4	AC0003095	Lever Ø31.5 M8x1 H42	2
5	AL0003431	Pin for handle	8
6	AQ0009069	Cover Ø20 PLS	2
7	AQ0013551	Handle's plug hot	1
8	AQ0013552	Handle's plug cold	1
9	AC0010414	Rod Ø5 H360	1
10	AC0009335	Knob	1
11	AQ0010985	Inox screw M4x12	2
12	AQ0010229	Inox washer Ø4	2
13	AQ0003140	Pop-up waste 1"1/4	1
14	AQ0000280	PUW - PU Joint	1
15	CPKHR200CCX01	Preassembled monohole washbasin	1
15.1	AC0000695	Mixer body	1
15.2	AC0009463	Base for extension Ø34 H25 G3/4"	1
15.3	AC0007128	Extension Ø30 Ø27 M18x1 H139	1
15.4	AS0007129	Insert Ø18.9 G3/8" H 43 M8	1
15.5	AQ0001390	OR 14x2 NBR 70 SH	1
15.6	AQ0001350	OR 11.11x1.78 NBR 70 SH	1
15.7	AQ0001320	OR 10.78x2.62 NBR 70 SH	2
15.8	AC0007130	Complete spout-out	1
15.9	AQ0006931	Grubscrew M8x16 flat point	1
15.10	AC0007124	Knob Ø19 M8 H27.4	1
15.11	AQ0003930	Ceramic headwork 90° right	1
15.12	AQ0002135	Ceramic headwork 90° left	1
15.13	AQ0010989	Rubber Ø14 Ø16 H5	1
16	AQ0006400	Fixing set	1





WE ARE IB

WARRANTY

All IB Rubinetterie SpA products are warranted for 10 years from the date of purchase, for the following cases:

- Defects of casting, porosity and chrome plating.
- Operating defects caused by incorrect fabrication.

The warranty provides for repair or replacement of products with fabrication defects recognized by our technical office. There is no other type of compensation anche the merchandise must be returned FOB our warehouse. The warranty only cover surface defects (scatches, dings, etc.) on fitting that have not been installed and used, returned in its original packaging with all components. O-ring, gasket seals and components subject to wear proportional to use are warranted for 2 years.

The warranty is void in the following cases:

Error installing and putting the product into service.

Deterioration of finished surfaces due to use of cleaning products containing acids or abrasive substances. Deterioration of surface with finishes other than chrome plating. Their durability is, in fact, dependent on the user's care and gentleness of use.

Deterioration of the fitting due incorrect installation.

Improper repairs and maintenance performed without the company's prior authorization.

The warranty from IB Rubinetterie SpA is not renewable.

Cleaning

We recommended cleaning the finish surfaces with water and soap, using a soft cloth.

Do not use detergents that contain hydrochloric acid or abrasive substances.