



WE ARE IB

Collection

# HERMES

Article

## HR306

Description

Wall mounted widespread lavatory faucet

Box Dimensions

265x260x70 mm

Weight

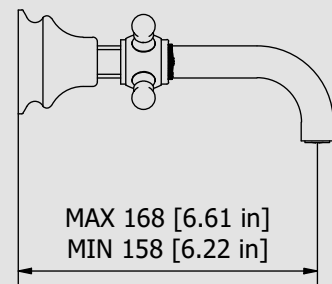
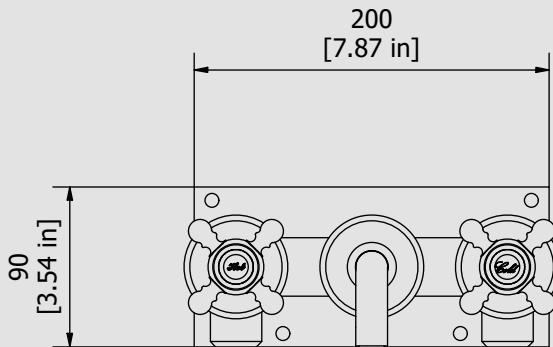
1.8 kg

Finishes

- **CC** CHROME
- **PL** PLATINUM
- **SS** BRUSHED NICKEL
- **ON** NATURAL BRASS
- **BO** MATT WHITE
- **NP** MATT BLACK
- **CF** BLACK CHROME
- **CS** BRUSHED BLACK CHROME
- **II** PALE GOLD
- **IS** BRUSHED PALE GOLD
- **RS** ROSE GOLD
- **SR** BRUSHED ROSE GOLD
- **OO** GOLD
- **OS** BRUSHED GOLD
- **RR** ANTIQUE COPPER
- **BB** ANTIQUE BRONZE



Dimensions



Cartridge

**IB G1/2" Ceramics Headworks**

Threaded fitting

**Treaded fitting G1/2" female**

Aerator

**M24x1 perlator coin slot**

Flow Rate (+/-10%)

**1 BAR  
9 l/m**

**2 BAR  
13 l/m**

**3 BAR  
15 l/m**

Production

**Main body is a single casted piece**

Material

**BRASS**  
According to CuZn35Pb2Al-B (CB752S)  
Max Lead content:1.36%

IB RUBINETTERIE s.p.a  
via dei Pianotti 3/5  
25068 Sarezzo (BS) - Italy -

T. +39 030 802101  
F. +39 030 803097  
info@weareib.it

P.IVA 01785230986  
capitale sociale  
€420.000,00 i.v.

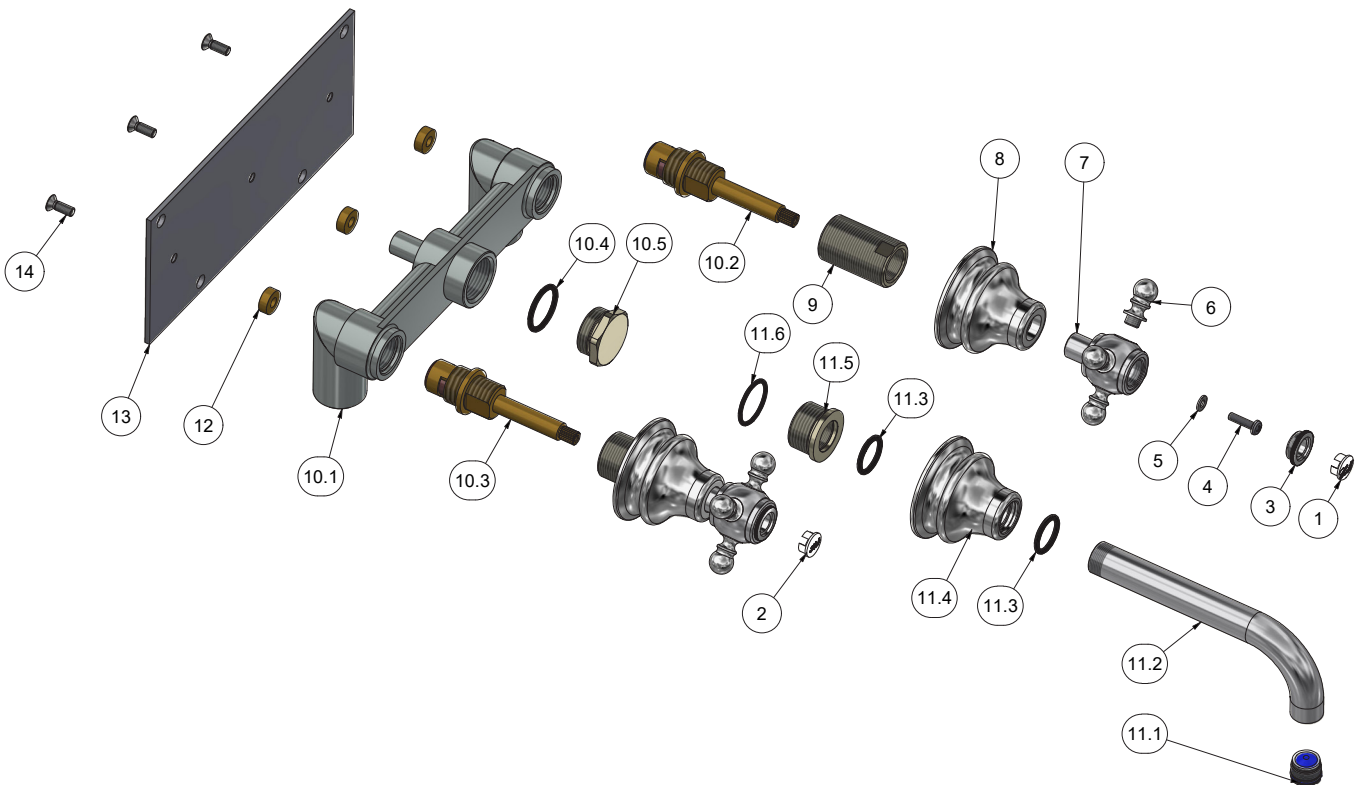
www.weareib.it





WE ARE IB

Parts list				
ITEMS	CODE	DESCRIPTION	FIN	QTA
1	AQ0013552	Handle's plug cold	-	1
2	AQ0013551	Handle's plug hot	-	1
3	AQ0009069	Cover Ø20 PLS	F	2
4	AQ0009209	Screw M4x16 ISO 7045	-	2
5	AQ0010229	Inox washer Ø4	-	2
6	AC0003431	Pin for handle	F	8
7	AC0003095	Lever Ø31.5 M8x1 H42	F	2
8	AC0007131	Bell Ø58.5 W26x19 H44.5	F	2
9	AN0010197	Reduction W26x19 W19x19 H42	N	2
10	CP1555-1	Preassembled Body washbasin	-	1
10.1	CT0001555	Recessed body int. 153 G1/2" inlet, G3/4" Outlet	-	1
10.2	AQ0009356	Ceramic headwok 90° right	-	1
10.3	AQ0009357	Ceramic headwork 90° left	-	1
10.4	AQ0008088	OR 22.23x2.62 NBR 70 SH	-	1
10.5	AN0007047	Built-in thermo plug 3/4"	N	1
11	CP11994CC-2	Pre assembly spout Ø18	-	1
11.1	AQ0014236	Cachè perlator M16,5 x 1 coin slot (44.3230.450)	-	1
11.2	AC0011994	Spout-out M18x1 M16.5x1 Ø18 L144	F	1
11.3	AQ0010978	OR 17.46x2.62 NBR 70 SH	-	2
11.4	AC0012298	Spout's bell Ø58.5 Ø18.5 H44.5	F	1
11.5	AN0012299	Insert for spout-out G3/4" M18x1 H18	N	1
11.6	AQ0010972	OR 23x2 NBR 70 SH	-	1
12	AS0012300	Waher Ø14 Ø6 H5	G	3
13	AQ0014264	Fixing plate 200x90x3	-	1
14	AQ0014265	Inox screw M5x14 DIN 7991 A2	-	3



IB RUBINETTERIE s.p.a  
via dei Pianotti 3/5  
25068 Sarezzo (BS) - Italy -

T. +39 030 802101  
F. +39 030 803097  
info@weareib.it

P.IVA 01785230986  
capitale sociale  
€420.000,00 i.v.

www.weareib.it





WE ARE IB

### WARRANTY

All IB Rubinetterie SpA products are warranted for 10 years from the date of purchase, for the following cases:

- Defects of casting, porosity and chrome plating.
- Operating defects caused by incorrect fabrication.

The warranty provides for repair or replacement of products with fabrication defects recognized by our technical office. There is no other type of compensation anche the merchandise must be returned FOB our warehouse. The warranty only cover surface defects (scatches, dings, etc.) on fitting that have not been installed and used, returned in its original packaging with all components. O-ring, gasket seals and components subject to wear proportional to use are warranted for 2 years.

#### The warranty is void in the following cases:

Error installing and putting the product into service.

Deterioration of finished surfaces due to use of cleaning products containing acids or abrasive substances. Deterioration of surface with finishes other than chrome plating. Their durability is, in fact, dependent on the user's care and gentleness of use.

Deterioration of the fitting due incorrect installation.

Improper repairs and maintenance performed without the company's prior authorization.

The warranty from IB Rubinetterie SpA is not renewable.

#### Cleaning

We recommended cleaning the finish surfaces with water and soap, using a soft cloth.

Do not use detergents that contain hydrochloric acid or abrasive substances.