



WE ARE IB

Collection

# INDUSTRIA

Article

## ID210

Description

**Ceiling spout with wall mounted mixer**

**Built-in body to be purchased separately INC300**

Box Dimensions  
**150x190x98 mm**  
**1700 Ø70 mm**

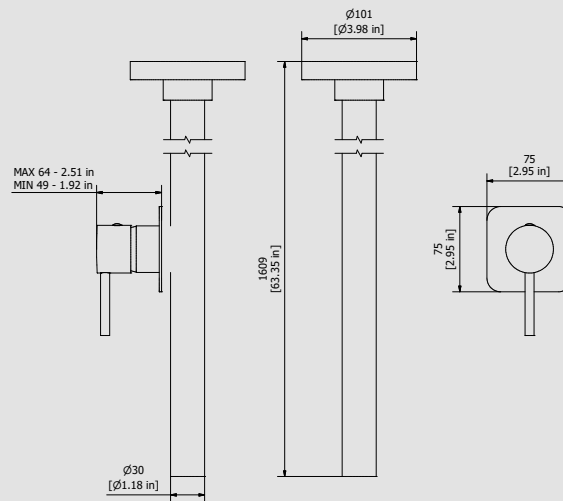
Weight  
**4.5 kg**

Finishes

- **CC**  
CHROME
- **PL**  
PLATINUM
- **SS**  
BRUSHED  
NICKEL
- **ON**  
NATURAL  
BRASS
- **BO**  
MATT  
WHITE
- **NP**  
MATT  
BLACK
- **CF**  
BLACK  
CHROME
- **CS**  
BRUSHED  
BLACK  
CHROME
- **II**  
PALE  
GOLD
- **IS**  
BRUSHED  
PALE GOLD
- **RS**  
ROSE  
GOLD
- **SR**  
BRUSHED  
ROSE GOLD
- **OO**  
GOLD
- **OS**  
BRUSHED  
GOLD
- **RR**  
ANTIQUÉ  
COPPER
- **MB**  
MODERN  
BRONZE



Dimensions



Cartridge

**Ø35 ceramic cartridge**

Threaded fitting

**G1/2" female**

Aerator

**M24x1**

Flow Rate (+/-10%)

| 1 BAR   | 2 BAR   | 3 BAR   |
|---------|---------|---------|
| 4.3 l/m | 5.2 l/m | 6.9 l/m |

Production

**Main body is a single hot stamped pieces**

Material

**BRASS**  
According to CuZn42 (CW510L)  
Max Lead content: 0.2%

IB RUBINETTERIE s.p.a  
via dei Pianotti 3/5  
25068 Sarezzo (BS) - Italy -

T. +39 030 802101  
F. +39 030 803097  
info@weareib.it

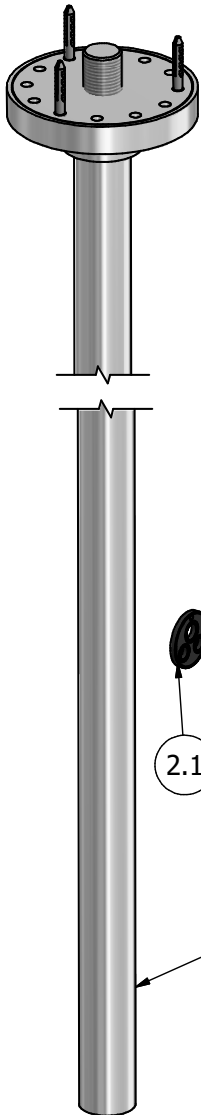
P.IVA 01785230986  
capitale sociale  
€420.000,00 i.v.

www.weareib.it

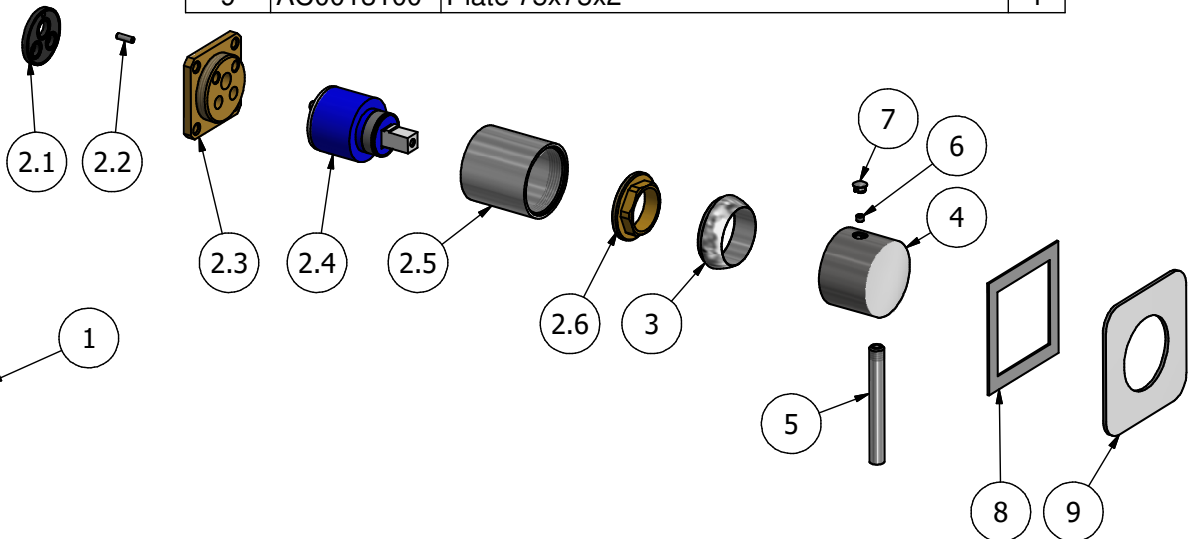




WE ARE IB



| Parts list |                  |   |    |
|------------|------------------|---|----|
| ELEM       | CODE             | DESCRIPTION                                   | QT |
| 1          | AQ0014252        | Ceiling wash basin mixer                      | 1  |
| 2          | CPIN206CC<br>-19 | Mixer 47x47 x recessed                        | 1  |
| 2.1        | AQ0015684        | Gasket Ø31 x Ø3.5                             | 1  |
| 2.2        | AQ0015357        | Grubscrew M3x10 flat point                    | 1  |
| 2.3        | AS0013040        | Insert q.47x47 h11 M22x1M x mixer             | 1  |
| 2.4        | AQ0004095        | Ceramic cartridge Ø35 9x9 (K35A)              | 1  |
| 2.5        | AC0010445        | Ring for recessed shower mixer                | 1  |
| 2.6        | AQ0001040        | Cartridge ring nut M37x1.5 H9                 | 1  |
| 3          | AQ0003630        | Cartridge ring nut cover M37x1.5              | 1  |
| 4          | AC0012840        | Handle Ø42 H30 knurled                        | 1  |
| 5          | AC0007091        | Straight rod Ø8 L67                           | 1  |
| 6          | AQ0009938        | Grubscrew M4x3 flat point                     | 1  |
| 7          | AQ0006650        | Plug cover Ø7                                 | 1  |
| 8          | AQ0015829        | Rubber packing double-sided tape<br>65x65x8x1 | 1  |
| 9          | AC0013100        | Plate 75x75x2                                 | 1  |





WE ARE IB

### WARRANTY

All IB Rubinetterie SpA products are warranted for 10 years from the date of purchase, for the following cases:

- Defects of casting, porosity and chrome plating.
- Operating defects caused by incorrect fabrication.

The warranty provides for repair or replacement of products with fabrication defects recognized by our technical office. There is no other type of compensation anche the merchandise must be returned FOB our warehouse. The warranty only cover surface defects (scatches, dings, etc.) on fitting that have not been installed and used, returned in its original packaging with all components. O-ring, gasket seals and components subject to wear proportional to use are warranted for 2 years.

#### The warranty is void in the following cases:

Error installing and putting the product into service.

Deterioration of finished surfaces due to use of cleaning products containing acids or abrasive substances. Deterioration of surface with finishes other than chrome plating. Their durability is, in fact, dependent on the user's care and gentleness of use.

Deterioration of the fitting due incorrect installation.

Improper repairs and maintenance performed without the company's prior authorization.

The warranty from IB Rubinetterie SpA is not renewable.

#### Cleaning

We recommended cleaning the finish surfaces with water and soap, using a soft cloth.

Do not use detergents that contain hydrochloric acid or abrasive substances.