



WE ARE IB

Collection

## LOFT

Article

## L0382

Description

**Lateral lever and extractible shower sink mixer.**

Box Dimensions

**675x320x80 mm**

Weight

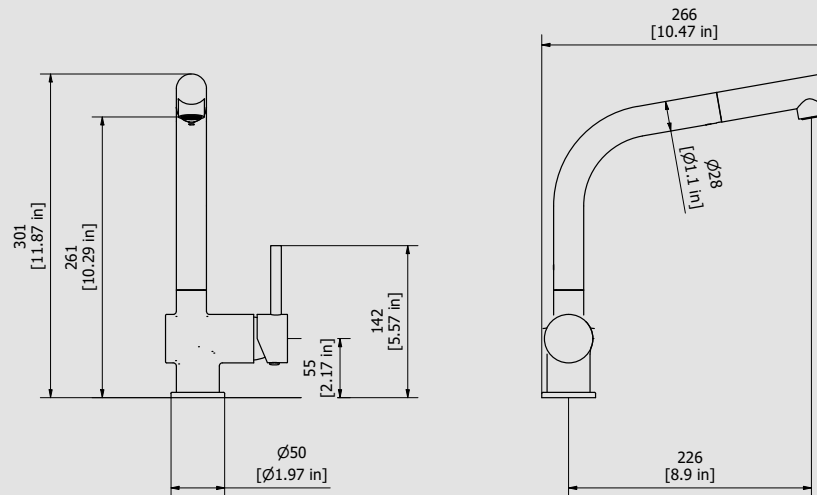
**2.3 kg**

Finishes

- CC**  
CHROME
- PL**  
PLATINUM
- SS**  
BRUSHED  
NICKEL
- ON**  
NATURAL  
BRASS
- BO**  
MATT  
WHITE
- NP**  
MATT  
BLACK
- CF**  
BLACK  
CHROME
- CS**  
BRUSHED  
BLACK  
CHROME
- II**  
PALE  
GOLD
- IS**  
BRUSHED  
PALE GOLD
- RS**  
ROSE  
GOLD
- SR**  
BRUSHED  
ROSE GOLD
- OO**  
GOLD
- OS**  
BRUSHED  
GOLD
- RR**  
ANTIQUÉ  
COPPER
- BB**  
ANTIQUÉ  
BRONZE



Dimensions



Cartridge

-

Threaded fitting

-

Aerator

**Extractible shower**

Flow Rate (+/-10%)

**1 BAR**  
**3 l/m**

**2 BAR**  
**4.4 l/m**

**3 BAR**  
**4.5 l/m**

Production

**Main body is a single hot stamped pieces**

Material

**BRASS**

-

IB RUBINETTERIE s.p.a  
via dei Pianotti 3/5  
25068 Sarezzo (BS) - Italy -

T. +39 030 802101  
F. +39 030 803097  
info@weareib.it

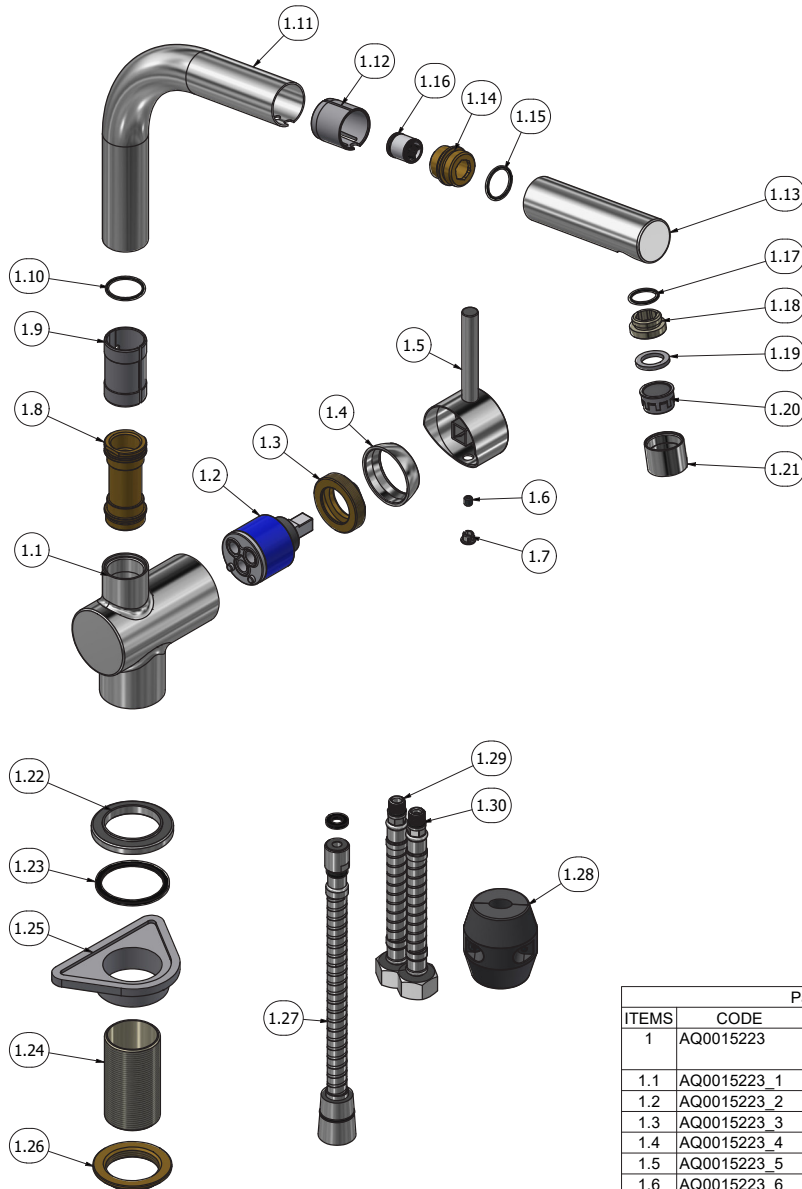
P.IVA 01785230986  
capitale sociale  
€420.000,00 i.v.

[www.weareib.it](http://www.weareib.it)





WE ARE IB



Parts list				
ITEMS	CODE	DESCRIPTION	FIN	QTA
1	AQ0015223	One-hole sink with extractable shower	-	1
1.1	AQ0015223_1	Mixer body	F	1
1.2	AQ0015223_2	Ceramic cartridge	-	1
1.3	AQ0015223_3	Nut	G	1
1.4	AQ0015223_4	Nut cover	F	1
1.5	AQ0015223_5	Handle	F	1
1.6	AQ0015223_6	Grubscrew	-	1
1.7	AQ0015223_7	Plug	F	1
1.8	AQ0015223_8	Insert for spout	G	1
1.9	AQ0015223_9	Antifriction insert	-	1
1.10	AQ0015223_10	O-ring	-	1
1.11	AQ0015223_11	Pipe	F	1
1.12	AQ0015223_12	Antifriction insert	-	1
1.13	AQ0015223_13	Spout	F	1
1.14	AQ0015223_14	Insert for hose	G	1
1.15	AQ0015223_15	O-Ring	-	1
1.16	AQ0015223_16	Valve	-	1
1.17	AQ0015223_17	O-Ring	-	1
1.18	AQ0015223_18	Insert for aerator	-	1
1.19	AQ0015223_19	Gasket	-	1
1.20	AQ0015223_20	Aerator	-	1
1.21	AQ0015223_21	Ring cover	F	1
1.22	AQ0015223_22	Base	F	1
1.23	AQ0015223_23	Gasket	-	1
1.24	AQ0015223_24	threaded stem	-	1
1.25	AQ0015223_25	Support for fixing	-	1
1.26	AQ0015223_26	Nut	-	1
1.27	AQ0015223_27	Flex G1/2"	-	1
1.28	AQ0015223_28	Weight lead	-	1
1.29	AQ0015223_29	Flex G1/2"F	-	1
1.30	AQ0015223_30	Flex G1/2"F	-	1



WE ARE IB

### **WARRANTY**

All IB Rubinetterie SpA products are warranted for 10 years from the date of purchase, for the following cases:

- Defects of casting, porosity and chrome plating.
- Operating defects caused by incorrect fabrication.

The warranty provides for repair or replacement of products with fabrication defects recognized by our technical office. There is no other type of compensation anche the merchandise must be returned FOB our warehouse. The warranty only cover surface defects (scartches, dings, etc.) on fitting that have not been installed and used, returned in its original packaging with all components. O-ring, gasket seals and components subject to wear proportional to use are warranted for 2 years.

#### **The warranty is void in the following cases:**

Error installing and putting the product into service.

Deterioration of finisched surfaces due to use of cleaning products containing acids or abrasive substances.

Deterioration of surface with finishes other than chrome plating. Their durability is, in fact, dependent on the user's care and gentleness of use.

Deterioration of the fitting due incorrect installation.

Improper repairs and maintenance performed without the company's prior authorization.

The warranty from IB Rubinetterie SpA is not renewable.

#### **Cleaning**

We recommended cleaning the finish surfaces with water and soap, using a soft cloth.

Do not use detergents that cointain hydrochloric acid or abrasive substances.